

# SunPower Reserve

Home energy storage system

## Safety & Installation Instructions

**RESERVE-INV-1-P10-L3-INT**

**RESERVE-BAT-1-DC-4-INT**

**CHINT-DTSU666-AC-L3-INT**



### Available Languages:

English ..... 2  
Deutsch ..... 82  
Italiano ..... 162  
Nederlands ..... 242

Region	Phone	Country/E-mail
<b>EMEA</b>	900 808068	Spain soportetecnico@maxeon.com
	0800-1812762	Germany technischersupport@maxeon.com
	800 795 730	Italy ServizioTecnico@maxeon.com
	0 805 090 808	France supporttechnique@maxeon.com
	0 800 78635	Belgium (NL) Technischendienst@maxeon.com
	0 800 78635	Belgium (Fr) TechSupport.Belgique@maxeon.com
	0800 023 39 80	NL Technischendienst@maxeon.com
	00 80085581111	Rest of EMEA techsupport.EMEA@maxeon.com
0808 281 8718	UK techsupport.UK@maxeon.com	
<b>APAC</b>	1800 786769	Australia techsupport.australia@maxeon.com

# SunPower Reserve

## Home energy storage system



## Safety & Installation Instructions for SunPower Reserve 3-Phase

552687 Revision B  
Published June 2024

This document is valid for installing SunPower Reserve 3-phase home energy system including:

- Inverter: RESERVE-INV-1-P10-L3-INT
- Battery: RESERVE-BAT-1-DC-4-INT
- Energy Meter: CHINT-DTSU666-AC-L3-INT

This document describes the mounting, installation, commissioning, configuration, operation, troubleshooting and decommissioning of the products, as well as the operation of the product user interface. The enclosed documentation is an integral part of this product. Keep the documentation in a convenient place for future reference and comply with all provided instructions.

Illustrations in this document are reduced to the essential information and may deviate from the real product.



For the latest version please refer to  
[www.sunpower.maxeon.com/int/InstallGuideReserve3P](http://www.sunpower.maxeon.com/int/InstallGuideReserve3P)

Contents are subject to change without notice.

Maxeon Solar Technologies, Ltd.

[sunpower.maxeon.com](http://sunpower.maxeon.com)

<b>1.0</b>	<b>Introduction</b>	<b>6</b>
1.1	Disclaimer of Liability	6
1.2	Open Source License	6
1.3	Levels of Messages	6
1.4	Definition of Abbreviations and Nouns	7
<b>2.0</b>	<b>Safety</b>	<b>8</b>
2.1	Intended Use	8
2.2	Safety Instructions for Battery	8
2.2.1	General Safety Precautions	8
2.2.2	Response to Emergency Situations	9
2.3	Important Safety Instructions	10
2.4	Symbols explanation	12
<b>3.0</b>	<b>Product Introduction and Application Scenarios</b>	<b>14</b>
3.1	System Appearance Introduction	14
3.2	Inverter Description	15
3.2.1	Inverter Electrical Interface Introduction	15
3.2.2	Inverter Display Interface	16
3.3	Battery Description	18
3.3.1	Battery Electrical Interface Introduction	18
3.3.2	Battery Display Introduction	19
3.4	Application Scenarios	20
3.4.1	DC-coupled Storage System	20
3.4.2	AC-coupled Storage System	21
3.4.3	Hybrid-coupled Storage System	21
<b>4.0</b>	<b>Storage and Transport</b>	<b>22</b>
4.1	Storage	22
4.2	Transport	23
<b>5.0</b>	<b>Mounting</b>	<b>23</b>
5.1	Checking the Outer Packing	23
5.2	Scope of Delivery	23
5.3	Included in the Box	23
5.4	Preparing Tools and Instruments	25
5.5	Requirements for Mounting	26
5.6	Mounting the Energy Storage System	29
5.6.1	Mounting the Battery with Wall Bracket	29
5.6.2	Battery wall-mounting disassembling instructions	32
5.6.3	Mounting the Battery using the Floor Mount	33
5.6.4	Mounting the Inverter on the Battery	37
5.6.5	Mounting the Inverter on a Wall Bracket	38
5.6.6	Battery Mounting for Battery Ready Application	39
5.6.7	Mounting the Wi-Fi Module	41

<b>6.0</b>	<b>Electrical Connection</b>	<b>42</b>
6.1	Cable Requirements (not included)	42
6.2	Grounding Connection	42
6.3	AC Connection	43
6.3.1	Requirements for the AC Connection	43
6.3.2	Select Suitable AC Circuit Breaker	44
6.3.3	Grid and Backup Connection	45
6.3.4	Energy Meter Connection	46
6.3.4.1	Energy Meter Rating	46
6.3.4.2	Meter Wiring	47
6.3.4.3	Meter Configuration	48
6.4	PV Connection	49
6.5	Electrical Connection between Batteries	51
6.6	Electrical Connection between the Inverter and RESERVE-BAT-1-DC-4-INT	53
6.6.1	Grounding Connection between INV and first BAT	54
6.6.2	Power Connection between INV and BAT	54
6.6.3	Communication Connection between INV and BAT	55
6.7	Other Communication Connection with Inverter	55
6.8	Mounting Covers of the Inverter and Battery	57
6.8.1	Mounting the Side Plates of Battery	58
6.8.2	Mounting the Silicone Stopper and Plastic Buckle on Battery Top	58
6.8.3	Mounting the Covers of the Inverter	58
<b>7.0</b>	<b>Startup and Shutdown Procedure</b>	<b>59</b>
7.1	Startup Procedure	59
7.2	Shutdown Procedure	59
7.3	Checks before start-up	60
<b>8.0</b>	<b>Set up a new System (Commissioning)</b>	<b>61</b>
8.1	Connect Reserve to internet	61
8.2	Download and Install the SunPower One app	62
8.3	Switch On the System and Check System Status	62
8.4	Commissioning SunPower Reserve	62
8.5	Check the AC backup (if available)	63
8.6	Instruct the End User to Install the SunPower One App	63
<b>9.0</b>	<b>Maintenance and Troubleshooting</b>	<b>64</b>
9.1	Routine Maintenance	64
9.2	Troubleshooting	65
9.2.1	Inverter Error Troubleshooting	65
9.2.2	Inverter Error Description	68
9.2.3	Battery Protection Description	70
9.2.4	Battery Error Description	71
<b>10.0</b>	<b>Uninstallation &amp; Return</b>	<b>73</b>
10.1	Removing the Product	73

10.2 Packing the Product . . . . . 73

10.3 Disposing the Product. . . . . 73

**11.0 Technical Data . . . . . 74**

11.1 Datasheet of Inverter . . . . . 74

11.2 Datasheet of Battery . . . . . 78

**12.0 Appendix 1: System Wiring Diagram. . . . . 79**

12.1 3-phase Reserve including change over switch, hybrid coupled with 3-phase PV inverter and energy meter (EU) . . . . . 79

12.2 3-phase Reserve, DC coupled and Energy meter (EU) . . . . . 80

**13.0 Appendix 2: Regional Application Standard. . . . . 81**

# 1.0 Introduction

## 1.1 Disclaimer of Liability

This document is intended for qualified persons and end users.

Operations marked with a DANGER or CAUTION symbol may only be performed by qualified persons. End users without specific qualifications may perform any unmarked tasks.

Qualified persons must have:




- Knowledge of how an inverter works and is operated
- Knowledge of how batteries work and are operated
- Training on how to handle the dangers and risks associated with installing, repairing, and using electrical devices, batteries, and installations
- Training on the installation and commissioning of electrical devices and installations
- Knowledge of the applicable laws, standards, and directives in installation region
- Knowledge of and compliance with this document, including all safety precautions
- Knowledge of and compliance with the documents of the battery manufacturer, including all safety precautions

## 1.2 Open Source License

This product contains Open Source software, developed by third parties and licensed using vehicles including GPL and/or LGPL. For more details, a list of Open Source software used and the related license texts, please refer to the Licenses section on our SunPower app and Maxeon website (<https://corp.maxeon.com/legal>).

## 1.3 Levels of Messages

The following levels of messages may occur when handling the product

 <b>DANGER</b>	DANGER indicates a hazardous situation which, if not avoided, will result in death or serious injury.
 <b>CAUTION</b>	CAUTION indicates a situation which, if not avoided, can result in property damage and/or minor to moderate injury.
 <b>TIP</b>	TIP provides information for the optimal installation and operation of the product.

## 1.4 Definition of Abbreviations and Nouns

Abbreviation	Description
AC	Alternating current
AUX	Auxiliary
BAT	Battery
BMS	Battery management system
CT	Current transformers
DC	Direct current
DNSP	Distributed network service provider
DRM	Demand response mode
RRCR	Radio ripple control receiver
EMS	Energy management system
INV	Inverter
LED	Light emitting diode
PV	Photovoltaic
SOC	State of charge

## 2.0 Safety

### 2.1 Intended Use

Product(s)	Intended use & installation requirements
<b>SunPower Reserve system including:</b> <ul style="list-style-type: none"><li>• <b>RESERVE-INV-1-P10-L3- INT</b></li><li>• <b>RESERVE-BAT-1-DC-4- INT</b></li><li>• <b>CHINT-DTSU666-AC-L3-INT</b></li></ul>	<p>The SunPower Reserve system is intended for installation in residential homes to optimise self-consumption.</p> <p>It is suitable for indoor and outdoor installation.</p> <p>All components must operate in a scenario suitable for their operation. Any use of the product(s) other than that described in this section does not qualify as appropriate. Be sure to use this product in accordance with the information provided in the accompanying documents and in accordance with local applicable standards and directives.</p> <p>Any other operation may cause personal injury or property damage. Alterations to the product, e.g. changes or modifications, are only permitted with the express written permission of Maxeon Solar Technologies.</p> <p>Unauthorized alterations will void guarantee and warranty claims. Maxeon Solar Technologies shall not be held liable for any damage caused by such changes.</p> <p>The type label must remain permanently attached to the product.</p> <p>This document is an integral part of this product. Ensure it is accessible for future reference and comply with all instructions contained therein.</p>
<b>INVERTER:</b> <b>RESERVE-INV-1-P10-L3-INT</b>	The inverter is used for bidirectional transfer between AC current and DC current.
<b>BATTERY:</b> <b>RESERVE-BAT-1-DC-4-INT</b>	It must only be operated with PV arrays of protection class II in accordance with IEC 61730, application class A. The PV modules coupling capacitance must not exceed 1.0 $\mu$ F.

## 2.2 Safety Instructions for Battery

### 2.2.1 General Safety Precautions

Before installing any part of the SunPower Reserve energy storage system, please read the Safety & Installation Instructions completely. If additional hardware is being installed at the same time as the SunPower Reserve unit (e.g. a Backup device or a separate AC-coupled PV system), please read the Installation Manual for each component/system before commencing installation of any hardware. The installation of one piece of hardware may create hazards for the installation of another piece of hardware – be sure to read all Manuals to understand the interaction and safety implications of the combined systems

1. Overvoltage or incorrect wiring can damage the battery pack and may cause deflagration, which can be extremely dangerous.




2. All types of battery breakdown may lead to electrolyte or flammable gas leakage
3. Battery pack is not user-serviceable. There is a high voltage in the device.
4. Read the label with Warning Symbols and Precautions on the right side of the battery.
5. Do not connect any AC conductors or PV conductors directly to the battery which should be connected only to the inverter.
6. Do not charge or discharge damaged battery.
7. Do not damage the battery by dropping, deforming, impacting, cutting or penetrating it with a sharp object. Battery damage may cause a leakage of electrolyte or fire.
8. Do not expose battery to open flame.

## 2.2.2 Response to Emergency Situations





The battery pack is designed to prevent the danger caused by malfunction.



If an accident takes place on land, remove items away from the damaged battery pack and segregate if it is possible do so safely and call local fire department or service engineer.




If an accident takes place in water, stay out of the water and do not touch anything if any part of the battery, inverter, or wiring is submerged. Do not use battery again and contact the technical support.

Product(s)	Intended use & installation requirements
<b>If the battery shell is damaged and user touches the inner material of the battery cells</b>	<ol style="list-style-type: none"> <li>1. <b>In case of inhalation:</b> Leave the contaminated area immediately and seek medical attention.</li> <li>2. <b>If eyes are injured:</b> Rinse eyes with running water for 15 minutes and seek medical attention.</li> <li>3. <b>If skin is injured:</b> Wash the contacted area with soap thoroughly and seek medical attention.</li> <li>4. <b>In case of ingestion:</b> Induce vomiting and seek medical attention.</li> </ol>
<b>If a fire breaks out in the place where the battery pack is installed</b>	<p><b>You will need:</b></p> <ul style="list-style-type: none"> <li>• FM-200, CO<sup>2</sup> or other suitable extinguisher on the battery fire.</li> <li>• ABC fire extinguisher could be used on other items, where it won't come in contact with the battery pack.</li> </ul> <p><b>What to do:</b></p> <ol style="list-style-type: none"> <li>1. If fire occurs when charging batteries, if it is safe to do so, disconnect the battery pack circuit breaker to shut off the power to charge.</li> <li>2. If the battery pack is not on fire yet, extinguish the fire before the battery pack catches fire.</li> <li>3. If the battery pack is on fire, do not try to extinguish but evacuate people immediately.</li> </ol>
 <p><b>If battery back is burning</b></p>	<p>There may be a possible explosion when batteries are heated above 150 °C. When the battery pack is burning, it leaks poisonous gases. Do not approach.</p>













## 2.3 Important Safety Instructions













High risk scenarios	Recommended actions
 <p><b>Danger to life due to electric shock when live components or cables are touched</b></p>	<p>There is high voltage in the conductive components or cables of the inverter. Touching live parts and cables can result in death or lethal injuries due to electric shock.</p> <ul style="list-style-type: none"> <li>• Do not touch non-insulated parts or cables.</li> <li>• Disconnect the product from voltage sources and make sure it cannot be reconnected before working on the inverter or the battery pack.</li> <li>• After disconnection, wait for 5 minutes until the capacitors inside the inverter have discharged.</li> <li>• Do not open the product.</li> <li>• Wear suitable personal protective equipment for all operations on the product.</li> </ul>
 <p><b>Danger to life due to dangerous voltages on the battery pack</b></p>	<p>There is dangerous voltage at the pin connector for the power cable. Reaching into the pin connector for the power cable can result in lethal electric shock.</p> <ul style="list-style-type: none"> <li>• Do not open the battery pack.</li> <li>• Do not wipe over the battery pack with a damp cloth.</li> <li>• Leave the protective caps on the pin connectors for the batteries power connection until the inverter cables are connected to the battery pack. Disconnect the system from voltage sources and make sure it cannot be reconnected before working on the inverter or the battery pack</li> </ul>
 <p><b>Danger to life due to electric shock from touching an ungrounded PV module or array frame</b></p>	<ul style="list-style-type: none"> <li>• Touching ungrounded PV modules or array frames can result in death or lethal injuries due to electric shock.</li> <li>• Connect and ground the frame of the PV modules, the array frame and the electrically conductive surfaces so that there is continuous conduction.</li> <li>• Observe the applicable local regulations.</li> </ul>
 <p><b>Danger to life due to electric shock when live components or PV cables are touched</b></p>	<p>When PV panels exposed to sunlight, the PV array generates high DC voltage which presents in the DC conductors.</p> <p>Touching the live DC cables can result in death or lethal injuries due to electric shock.</p> <ul style="list-style-type: none"> <li>• Disconnect the inverter from voltage sources and make sure it cannot be reconnected before working on the device.</li> <li>• Do not touch non-insulated parts or cables.</li> <li>• Do not disconnect the DC connectors under load.</li> <li>• Wear suitable personal protective equipment for all work on the inverter.</li> </ul>

High risk scenarios	Recommended actions
 <p><b>Danger to life due to electric shock when touching live system components in case of a ground fault</b></p>	<p>When a ground fault occurs, parts of the system may still be live. Touching live parts and cables can result in death or lethal injuries due to electric shock.</p> <ul style="list-style-type: none"> <li>• Disconnect the product from voltage sources and make sure it cannot be reconnected before working on the device.</li> <li>• Touch the cables of the PV array on the insulation only.</li> <li>• Do not touch any parts of the substructure or frame of the PV array.</li> <li>• Do not connect PV strings with ground faults to the inverter.</li> </ul>
 <p><b>Risk of chemical burns from electrolyte or toxic gases</b></p>	<p>During normal operation, no electrolyte would leak from the battery pack and no toxic gases would form. Despite careful construction, if the battery pack is damaged or a fault occurs, it is possible that electrolyte may be leaked, or toxic gases may form.</p> <ul style="list-style-type: none"> <li>• Store the battery pack in a cool and dry place.</li> <li>• Do not drop the battery pack or damage it with sharp objects.</li> <li>• Only set the battery pack down on its back or its bottom.</li> <li>• Do not open the battery pack.</li> <li>• Do not install or operate the battery pack in potentially explosive atmosphere or areas of high humidity.</li> <li>• If moisture has penetrated the battery pack (e.g., due to a damaged housing), do not install or operate the battery pack.</li> <li>• In case of contact with electrolyte, rinse the affected areas immediately with water and consult a doctor without delay.</li> </ul>

Cautionary scenarios	Intended use & installation requirements
 <p><b>Risk of burns due to hot heatsink and housing</b></p>	<p>The enclosure and cover of the inverter can get hot during operation. During operation, do not touch any other than the cover of the inverter.</p>
 <p><b>Damage to the inverter due to electrostatic discharge</b></p>	<ul style="list-style-type: none"> <li>• Touching electronic components can cause damage to or destroy the inverter and the battery through electrostatic discharge.</li> <li>• Ground yourself before touching any component.</li> </ul>
 <p><b>Damage due to cleaning agents</b></p>	<ul style="list-style-type: none"> <li>• The use of cleaning agents may cause damage to the energy storage system and its components.</li> <li>• Clean the system and all its components only with a cloth moistened with clear water.</li> </ul>

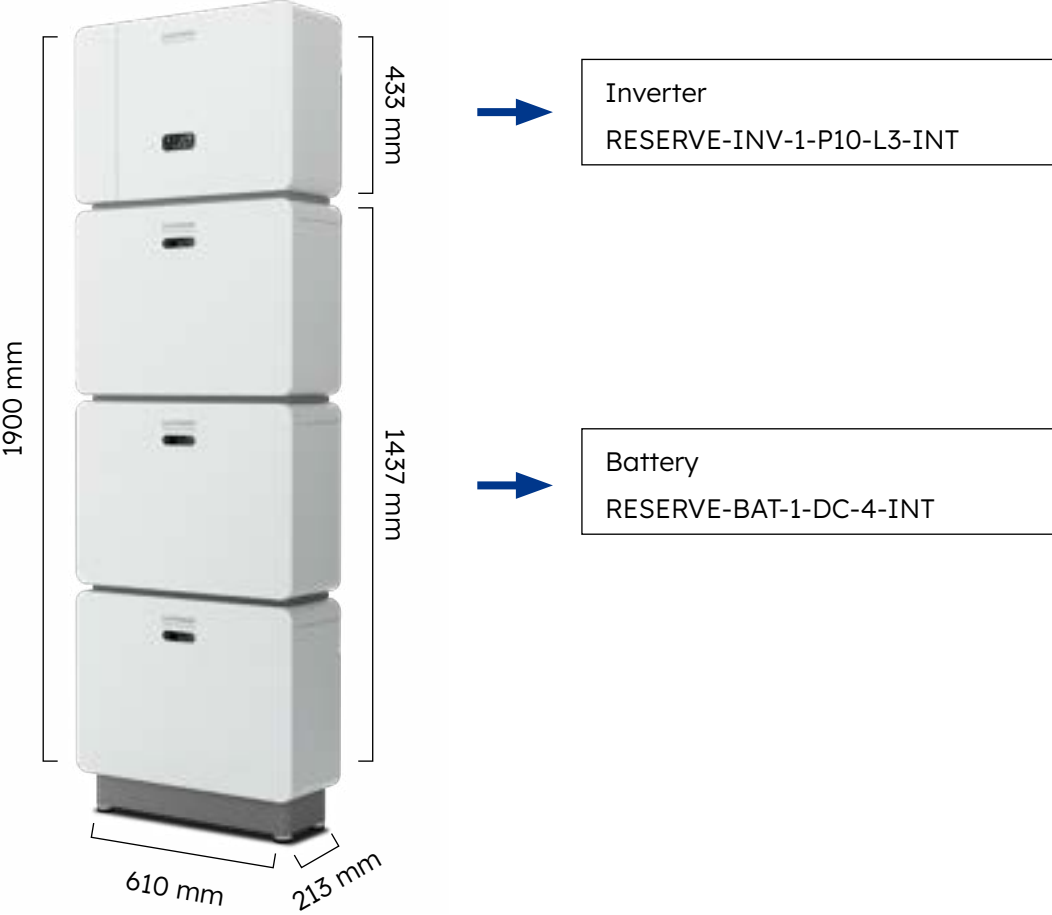
## 2.4 Symbols explanation

Inverter Symbols	Explanation
	Beware of a danger zone This symbol indicates that the inverter must be additionally grounded if additional grounding or equipotential bonding is required at the installation site.
	Beware of electrical voltage The product operates at high voltages.
	Beware of hot surface The product can get hot during operation.
 	Danger to life due to high voltages in the inverter, observe a waiting time of 5 minutes. Prior to performing any work on the inverter, disconnect it from all voltage sources as described in this document.
	WEEE designation Do not dispose of the product together with the household waste but in accordance with the disposal regulations for electronic waste applicable at the installation site.
	Observe the documentation
	CE marking The product complies with the requirements of the applicable EU directives.
	Certified safety The product is TUV-tested and complies with the requirements of the EU Equipment and Product Safety Act.
	RCM (Regulatory Compliance Mark) The product complies with the requirements of the applicable Australian standards.
	UKCA marking The product complies with the regulations of the applicable laws of England, Wales and Scotland.
	RoHS labeling The product complies with the requirements of the applicable EU directives.

Battery Symbols	Explanation
	Beware of a danger zone This symbol indicates that the battery pack must be additionally grounded if additional grounding or equipotential bonding is required at the installation site.
	Risk of chemical burns
	Risk of explosion
	Observe the documentation
	Risk of electrolyte leakage
	CE marking The product complies with the requirements of the applicable EU directives.
	Refer to the instruction for operation
	Use eye protection
	Fire, naked light and smoking prohibited
	Install the product out of reach of children
	Do not dispose of the battery pack together with the household waste but in accordance with the locally applicable disposal regulations for batteries
	Recycling code
<b>UN38.3</b>	Marking for transport of dangerous goods The product passes the certifications of the UN38.3

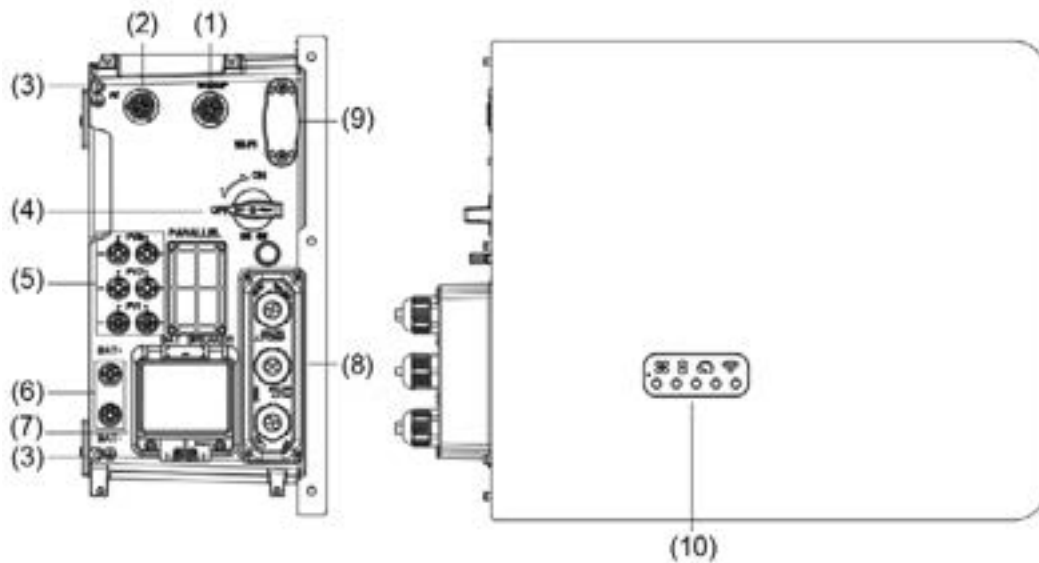
### 3.0 Product Introduction and Application Scenarios

#### 3.1 System Appearance Introduction



## 3.2 Inverter Description

### 3.2.1 Inverter Electrical Interface Introduction



Position	Description
1	Backup Connector
2	Grid Connector (3P-AC Supply)
3	Grounding Point
4	PV Switch*
5	Positive and Negative PV Connectors, PV1, PV2, PV3
6	Battery + Connector Battery - Connector
7	Battery Circuit Breaker*
8	Communication Ports (BMS, RS485, Meter, DRM**&RRCR, LAN, AUX)
9	Distributed network service provider
10	Inverter LED Display

\* Battery circuit breaker and PV switch of the inverter are switched off when shipped.

\*\* The DRM is only for regions with AS/NZS 4777.2 safety regulations.

### 3.2.2 Inverter Display Interface

Nine LED indicators are provided on the inverter display panel.











#### Upper LED indicators

The four system LEDs provide information about status and operations of the system

#### Lower LED indicators

Five LEDs are used to indicate the state of charge of the battery(ies) in normal operation

However, when the system is experiencing a fault, the combination of both upper and lower LEDs are used to show error codes, such as:







Normal status	Description	Abnormal status	Description
 <b>SYSTEM</b>	<b>White light</b> The system works normally	 <b>SYSTEM</b>	<b>Red light</b> The system is in fault
 <b>METER</b>	<b>White light</b> Meter Communication works normally	 <b>METER</b>	<b>No light</b> Meter lost
 <b>BATTERY</b>	<b>White light</b> Battery works normally	 <b>BATTERY</b>	<b>No light</b> Battery is not working normally
 <b>COMMS</b>	<b>White light</b> Server Connected	 <b>COMMS</b>	<b>No light</b> Server Disconnected



The inverter lights will also operate differently during the software downloading and upgrading process:

Light	During the software downloading and upgrading process
Inverter light display	While the inverter is downloading the file to update its firmware, the lower 5 LEDs will flow from both sides to the middle. When the download process has completed and the upgrade process begins, the lower 5 LEDs will flow from the middle to the two sides.
Battery light display	The number of lights from left to right is 1-3. During upgrading, No. 3 white light is flashing fast, other two LEDs are off.

The lower LED indicators on the front cover of the inverter provide information about the State of Charge (SOC) of the system. If all batteries are operating normally, they will display solid white or off. During the various states of charge, the lights will display:

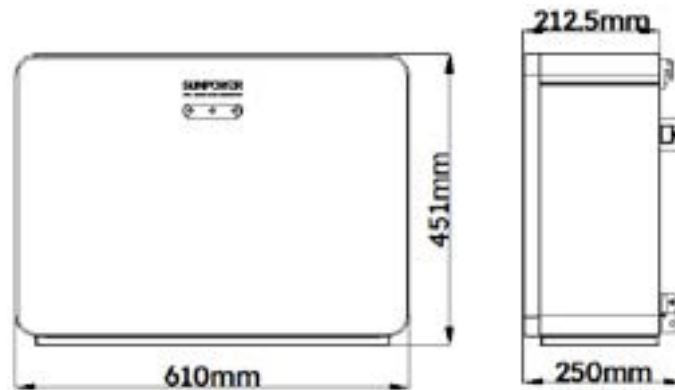
State of Charge (SoC)	Description
	SOC<5%
	5%≤SOC<20%
	20%≤SOC<40%
	40%≤SOC<60%
	60%≤SOC<80%
	80%≤SOC≤100%

Note that the LED lights provide an approximation of the State of Charge and should be read as an indication and not as a set value.

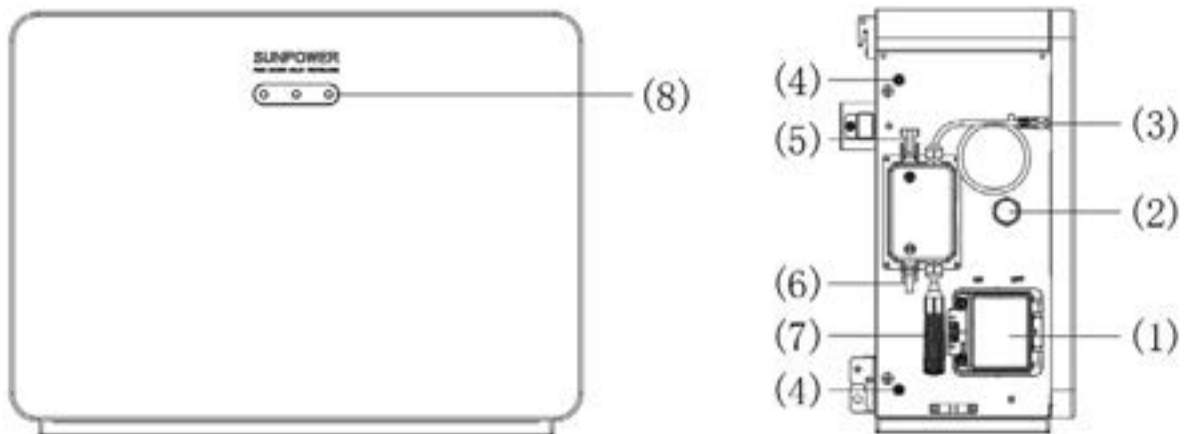
### 3.3 Battery Description

#### 3.3.1 Battery Electrical Interface Introduction

Series battery appearance and dimensions



Connection area overview










Position	Description
1	Battery Circuit Breaker
2	Pressure Relief Valve
3	BMS COM (1)
4	Grounding Point
5	Battery+ Cable Connector
6	Battery- Cable Connector
7	BMS COM (2) (with terminal resistor)
8	Battery LED Display

### 3.3.2 Battery Display Introduction

#### Battery LEDs SOC Display

During normal operation of battery, three LED indicators on the front cover provide information the State of Charge (SOC) of the battery with white LEDs glowing and off or flashing (0.5S on, 1.5S off).

Symbols	Description
	White LED is flashing.
	White LED is glowing.
	White LED is off.

State of Charge (SoC)	Description
	SOC ≤ 10%
	10% < SOC ≤ 30%
	30% < SOC ≤ 50%
	50% < SOC ≤ 60%
	60% < SOC ≤ 90%
	90% < SOC ≤ 100%

#### Battery LEDs State Display

The LEDs indicate the operating state of the product.

Standby: all white LEDs are flashing (0.5s on and 0.5s off).

Normal: white LEDs are glowing or flashing (0.5s on and 1.5s off).

Protection: yellow LEDs are glowing or flashing (0.5s on and 0.5s off).

Error: yellow LEDs are glowing or flashing (0.5s on and 0.5s off).

Shutdown: all LEDs are off.

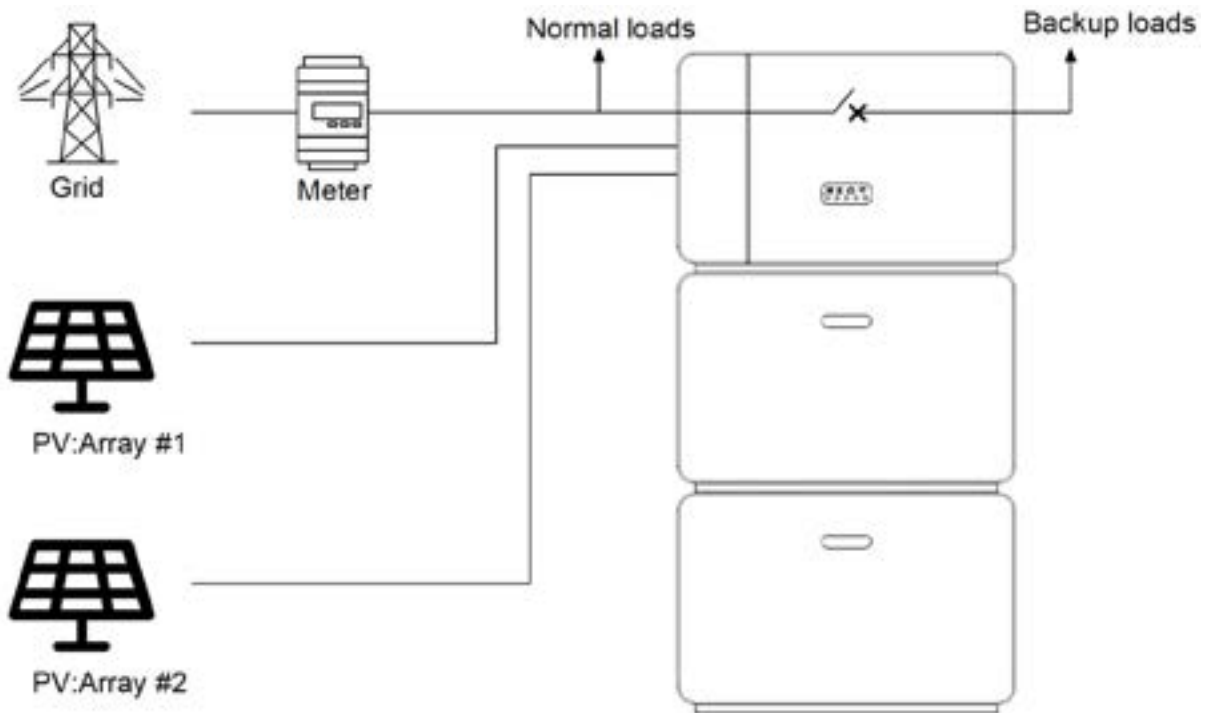
### 3.4 Application Scenarios

The SunPower Reserve system is a flexible storage system that can be applied in all of the following scenarios:

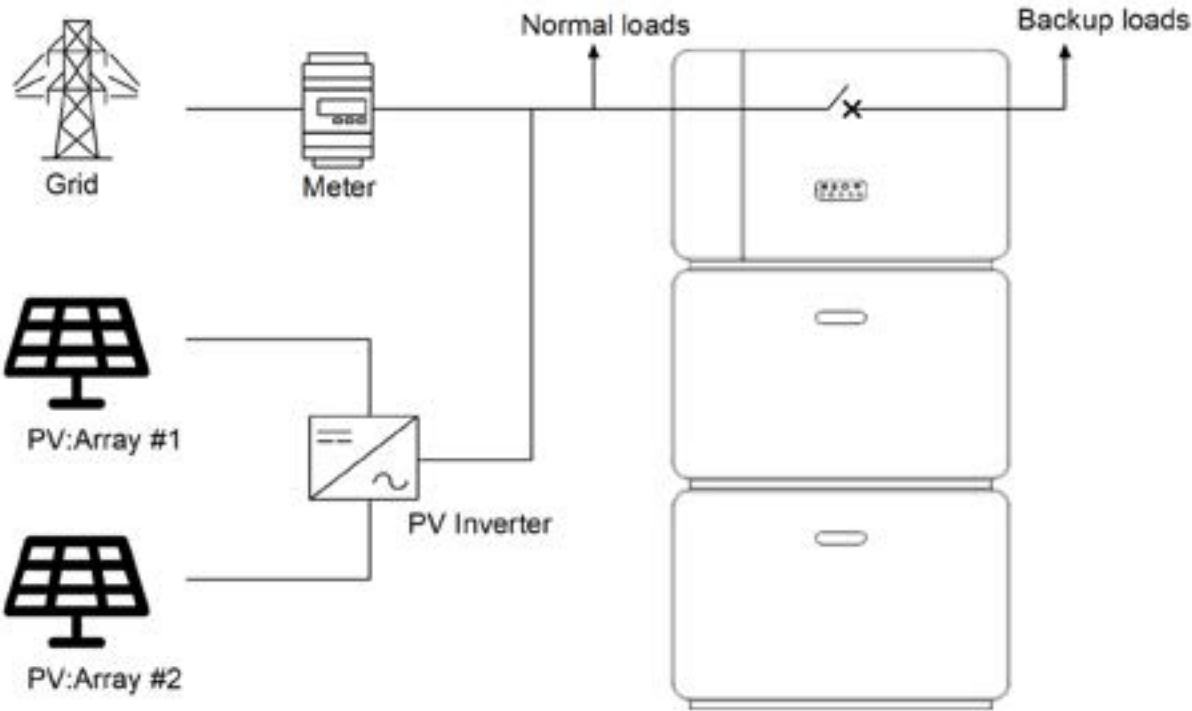
Application	Description	Advantages
<b>DC</b>	PV arrays connected directly to the SunPower Reserve PV inputs.	No additional inverter needed
<b>AC</b>	PV Arrays connected a separate AC Coupled PV inverter.	<ul style="list-style-type: none"> <li>• Loads can be drawn from battery and PV simultaneously</li> <li>• Battery system can be retrofitted</li> </ul>
<b>Hybrid</b>	PV Arrays. connected directly to SunPower Reserve PV inputs and connected to an AC Coupled PV Inverter.	<ul style="list-style-type: none"> <li>• Can be coupled to any existing PV system</li> <li>• Increase system size and control without altering original PV system</li> </ul>

An example of each of these scenarios:

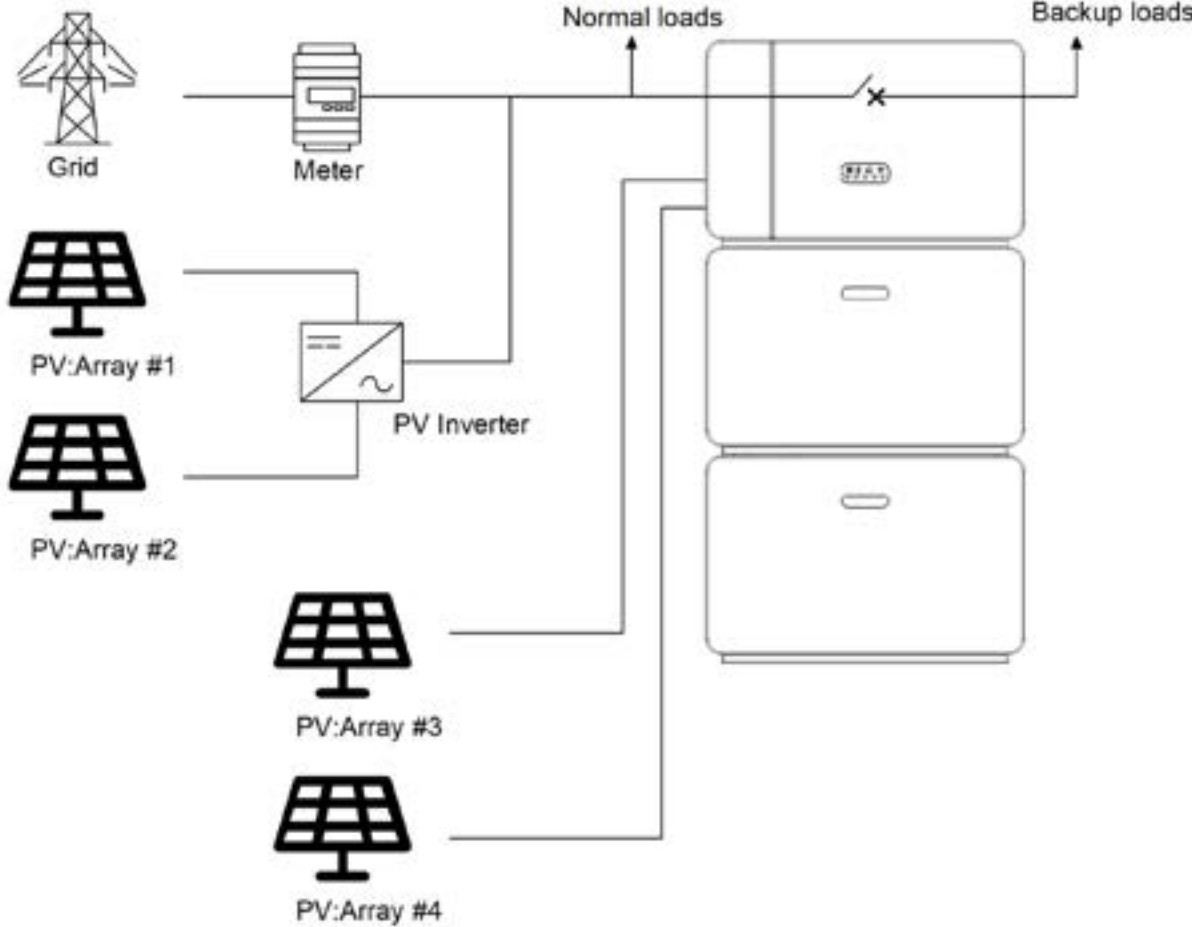
#### 3.4.1 DC-coupled Storage System



### 3.4.2 AC-coupled Storage System



### 3.4.3 Hybrid-coupled Storage System



## 4.0 Storage and Transport

### 4.1 Storage

The following requirements should be met if the inverter is not put into use directly:

Product(s)	Storage directions
<b>Inverter:</b> <b>RESERVE-INV-1- P10-L3-INT</b>	<ol style="list-style-type: none"><li>1. Do not unpack the inverter.</li><li>2. Keep the storage temperature at -40 °C to 60 °C and the humidity at 5% / 95% RH.</li><li>3. The inverter should be stored in a clean and dry place and be protected from dust and water vapor corrosion.</li><li>4. A maximum of five inverters can be stacked. To avoid personal injury or device damage, stack inverters with caution to prevent them from falling over.</li><li>5. During the storage period, check the inverter periodically. Replace any damaged packaging promptly.</li><li>6. The inverters stored for more than 2 years should be inspected and tested before being put into service.</li></ol>
<b>Battery:</b> <b>RESERVE-BAT-1- DC-4-INT</b>	<ol style="list-style-type: none"><li>1. Place batteries according to the signs on the carton during storage.</li><li>2. Stack battery cartons in accordance with the stacking requirements printed on the external carton.</li><li>3. Store the battery pack out of reach of children and animals.</li><li>4. Store the battery pack in an area where there is minimal dust and dirt.</li><li>5. Handle batteries with care to avoid damage</li><li>6. The requirements for the storage environment are as follows:<ol style="list-style-type: none"><li>a. Ambient temperature: -10 °C to 55 °C, recommended storage temperature: 15 °C to 30 °C</li><li>b. Relative humidity: 15% to 85%</li><li>c. Place batteries in a dry, clean, ventilated location free from dust</li><li>d. Store batteries in a place that is away from corrosive organic solvents and gases.</li><li>e. Keep batteries away from direct sunlight.</li><li>f. Keep batteries at least 2 meters away from heat sources.</li></ol></li><li>7. The batteries in storage must be disconnected from external devices. The indicators (if any) on the batteries should be off.</li><li>8. Warehoused batteries should be delivered based on the „first in, first out“ stock control.</li><li>9. Batteries stored for more than 6 months should be assessed and charged periodically.</li><li>10. It is recommended to put batteries into service as soon as practical. Storing for more than 12 months at a SOC less than 30% may lead to capacity loss.</li></ol>

## 4.2 Transport

During transportation, please follow these guidelines:

1. Use the original packaging for transportation. If the original packaging is not available, place the product inside a suitable cardboard box with adequate protection and seal the carton.
2. Handle with care, choose the corresponding handling method according to the weight, and pay attention to safety. Mechanical aids should always be used in preference to lifting by hand.
3. During transportation, avoid mechanical damage and keep dry.
4. Please secure the packaging during transportation to prevent damage.
5. Observe local regulations for lifting heavy objects and safety hazards.

## 5.0 Mounting

### 5.1 Checking the Outer Packing

Before unpacking the product, check the outer packaging for damage, such as holes, signs of mechanical damage or water damage. If any damage is found, do not unpack the product and contact your supplier as soon as possible.

### 5.2 Scope of Delivery

Check the scope of delivery for completeness and any externally visible damage. Contact your supplier if the scope of delivery is incomplete or damaged.

### 5.3 Included in the Box


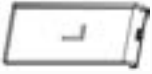










Check the components included with inverter from the list below.

Inverter (RESERVE-INV-1-P10-L3-INT)				
Inverter (X1)	Side Cover (X1)	Cable Cover (X1)	Inverter Base (X1)	Wi-Fi Module (X1)
Grid Connector (X1)	Backup Connector (X1)	PV MC4 Connector Pair (X3)	6 Pin AUX Terminal Block (X2)	Screws M5X12 and Grounding Terminals Set (X1)
Grounding Cable between Inverter and 1st Battery (X1)	Series Batteries Main Negative Power Cable (X1)	Series Batteries Main Positive Power Cable (X1)	Power Cable between two Column Series Batteries (X1)	Communication Cable between two Column Series Batteries (X1)
Grounding Cable between two Column Series Batteries (x1)	System Wiring Diagram sheets (X1)	Quick Installation Guide (X1)		








Additional components for inverter wall bracket (optional)







Wall bracket for Inverter (RESERVE-INV-1-P10-L3-INT)				
				
Wall Bracket (X1)	Hook for Wall Bracket (X4)	Hexagon Head Screw M5*12 (X18)	Wall Anchor ST6*55 (X4)	Small Spirit Level (X1)

Check the components included with each battery from the list below.

Battery (RESERVE-BAT-1-DC-4-INT)				
				
Battery (X1)	Left Side Plate (X1)	Right Side Plate (X1)	Lower Left Connection Piece (X1)	Lower Right Connection Piece (X1)
				
Grounding Cable 115mm (X1)	Battery Power Cable 205mm (X1)	Hexagon Head Screw M5*12 (X3)	Silicone Stopper (X9)	Plastic Blockage (X1)
				
Cable Tie Buckle (X3)	Quick Installation Guide (X1)			

Additional components for battery wall bracket (optional)

Wall bracket for Battery (RESERVE-BAT-1-DC-4-INT)				
				
Wall Bracket (X1)	Connection Plate between Wall Brackets of Batteries (X2)	Connection Plate between Wall Brackets of 3P Inverter and first Battery (X2)	Wall Anchor ST6*55 (X6)	Hexagon Head Large Washer Screw M5*12 (X3)
				
Flange Nut M5 (X7)	Small Spirit Level (X1)			

Floor Mount for Battery (RESERVE-BAT-1-DC-4-INT)				
				
Base Unit (X1)	Wall Connection Plate of Base Unit (X1)	Wall Connection Plate of Series Battery (X1)	Wall Anchor ST6*55 (X6)	Small Spirit Level (X1)
				
Hexagon Head Screw M5*12 (X8)				



## 5.4 Preparing Tools and Instruments

Ensure the following equipment and safety gear is available prior to installation of the energy storage system.

Tools and Instruments and Personal Protective Equipment				
				
Hammer drill (With a ø10mm drill bit)	Socket wrench SW8	Multimeter (DC voltage range $\geq 1000$ V DC)	Diagonal pliers	Wire stripper
				
T20 screwdriver (torque range: 0-5 Nm), L=150mm	Rubber mallet	Utility knife	Cable cutter	MC4 Crimping pliers
				
Cord End Terminal Crimper (model:HSC8 0.25-10mm <sup>2</sup> )	Network plug clamp	Current clamp	Disassembly and assembly tool of PV connector	Vacuum cleaner
				
Marker	Measuring tape	Spirit level	Anti-dust respirator	Safety shoes
				
Safety gloves	Safety goggles			

## 5.5 Requirements for Mounting



Despite careful construction, electrical devices can cause fires.

- Do not mount the energy storage system in areas containing highly flammable materials or gases.
- Do not mount the system in potentially explosive atmospheres.

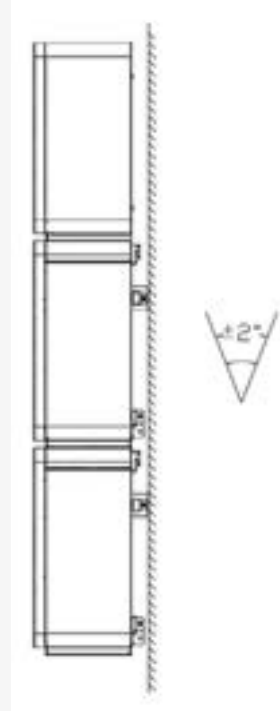
Type	Requirements
<b>Basic</b>	<ul style="list-style-type: none"> <li>• The SunPower Reserve system is suitable for indoor and outdoor use.</li> <li>• Do not install the inverter in a place where a person can easily touch it because its enclosure and cover can be very hot during operation.</li> <li>• Do not mount the system in areas with flammable or explosive materials.</li> <li>• Do not mount the system at a place within the reach of children.</li> <li>• Do not engage screws into tapped holes using a Hammer Driver, Impact Driver or “Rattle gun”. Do not damage screws or threaded holes by tightening with too much torque.</li> <li>• Recommend a minimum of 150mm off the ground was advisable to protect from submergence.</li> </ul>
<b>Mounting Environment</b>	<ul style="list-style-type: none"> <li>• The system must be mounted in a well-ventilated environment to ensure adequate heat dissipation.</li> <li>• Mount the system in a sheltered place or mount an awning over it.</li> <li>• The optimal temperature range for the battery to operate is 15°C to 30°C.</li> <li>• Do not mount the system in areas where it could be exposed to sunlight, the power of the system may derate due to additional heat.</li> <li>• Do not expose or place near water sources like downspouts or sprinklers.</li> <li>• Do not mount the system outdoors in areas of high salt mist likelihood where corrosion may cause damage. An area of high salt mist likelihood refers to a region within 500m from the coast or prone to the sea breeze.</li> <li>• If the battery is mounted in the garage, ensure the product is adequately protected from potential mechanical impact.</li> <li>• Recommend locations that are indoors, under cover, or generally protected from the elements and extreme temperatures (e.g. in a garage)</li> </ul>

**Mounting Structure**

- The mounting surface behind the system should not allow the propagation of fire. The mounting surface behind the system should not allow the propagation of fire and shall be fire-rated where required by local regulations.
- Ensure that the mounting floor is solid and able to bear the weight of the system.

**Mounting Angle with Wall-mounted Type**

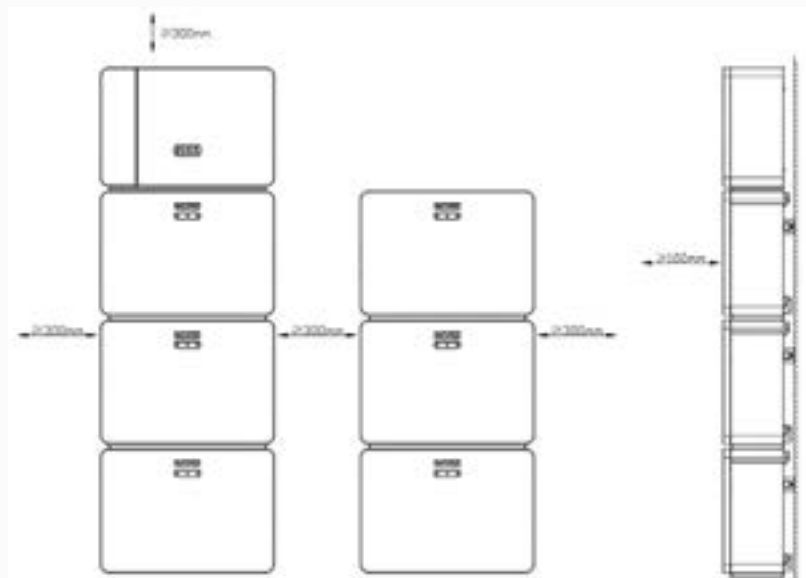
The inverter should be mounted on the battery. The installation angle requirement is:



Do not mount the system at forward tilted, side tilted, horizontal, or upside-down positions.

## Mounting Space

- Reserve sufficient clearance around the product to ensure sufficient space for installation, maintenance and heat dissipation.
- The side clearance is a recommendation which can be adjusted according to the end-users requirements. Clearances may be up to 100mm less than noted if ventilation is adequate and no restrictions or objects will limit access to the labelling or switches of the Product or to the use of tools to remove covers or service/remove the Product.
- Local Standards may add additional clearance requirements, particularly regarding clearances between the Battery System and other Electrical Appliances



## 5.6 Mounting the Energy Storage System

### 5.6.1 Mounting the Battery with Wall Bracket

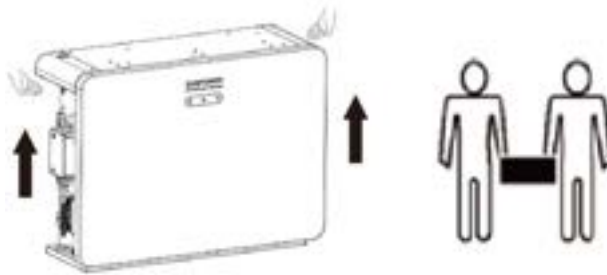
Battery wall-mounting instructions:



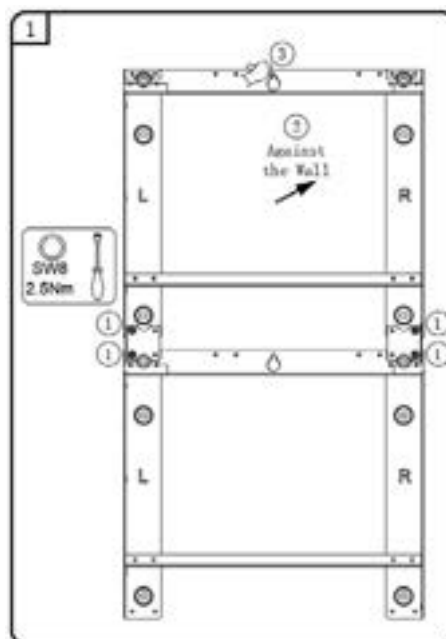
Risk of injury when lifting the battery as the battery weighs 44 kg. There is a risk of injury if the battery is lifted incorrectly or dropped while being transported or mounted.

- Transport and lift the battery always as described below. Take the weight of the product into account.
- Always have two persons mount and disassemble the product and pay attention to safety.
- Wear suitable personal protective equipment for all work on the product.

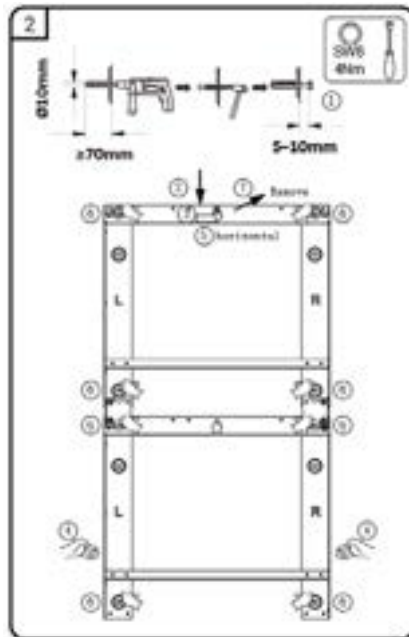
1. Take out the battery from the carton, transport it to the installation site.



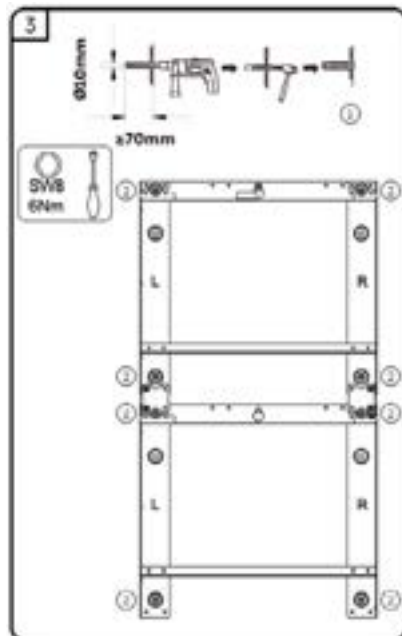
2. Unpack the wall brackets and connection plates. Assemble them together to form a frame with M5 nuts. Select a suitable height, please reserve enough space below if you want to add more batteries follow-up.



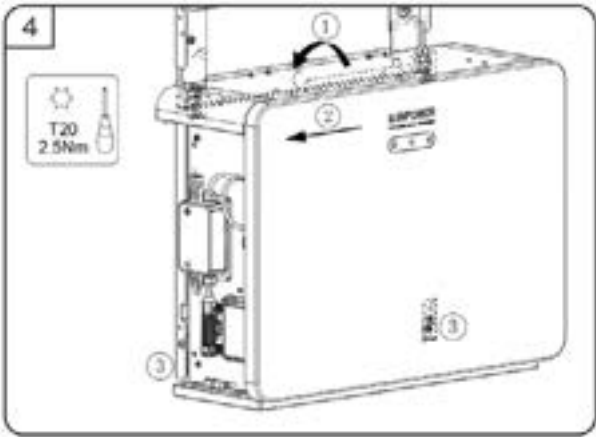
- Drill the marked hole with a 10mm drill. Insert the screw anchor into the drill hole, and pre-tighten the provided screw, retain 5-10mm from the screw head to the wall. Hang the wall bracket on the screw head, adjust its horizontal position, mark the other drill positions, and remove the wall bracket.



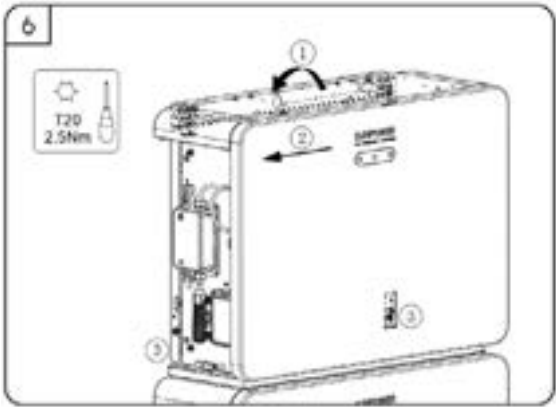
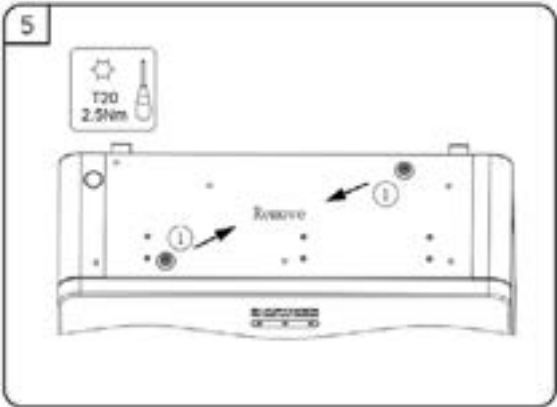
- Drill the marked holes with a 10mm drill. Insert the screw anchors into the drill holes. Hang the wall bracket on the screw head, secure the wall bracket to the wall with the provided screws (tool: 8mm socket wrench, torque: 6Nm).



- 5. Always hold the handles on both sides of the battery firmly, hook the battery into the bottom wall bracket, and move it to the left limit.  
Secure the lower holes on both sides of the battery to the wall bracket and tighten them with two screws M5\*12 (tool: T20 screwdriver, torque: 2.5Nm).



- 6. Please remove the two limit blocks located on the top of the battery when the next battery will be mounted with wall bracket.  
Continue to mount more batteries by repeating step 4 and step 5.



## 5.6.2 Battery wall-mounting disassembling instructions

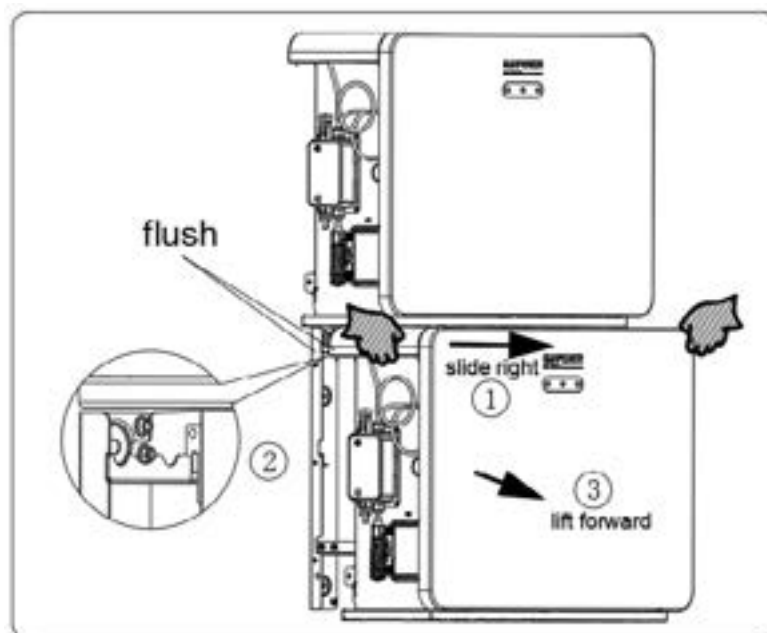


### Risk of injury due to the weight of the battery

Injuries may be caused if the product is lifted incorrectly or dropped while being transported or mounted. To avoid this danger:

- Transport and lift the product carefully. Take the weight (44 kg) of the product into account.
- Always have two or more people to mount and disassemble the product.
- Wear suitable personal protective equipment for all work on the product.

When disassembling the battery that has been mounted via a wall bracket and is not directly connected to the inverter, always hold the handles on both sides of the battery firmly and slide it to the right. Once the left handle of the lower battery aligns to the left edge of the upper battery base, carefully lift the battery forward and off the wall bracket.





### 5.6.3 Mounting the Battery using the Floor Mount

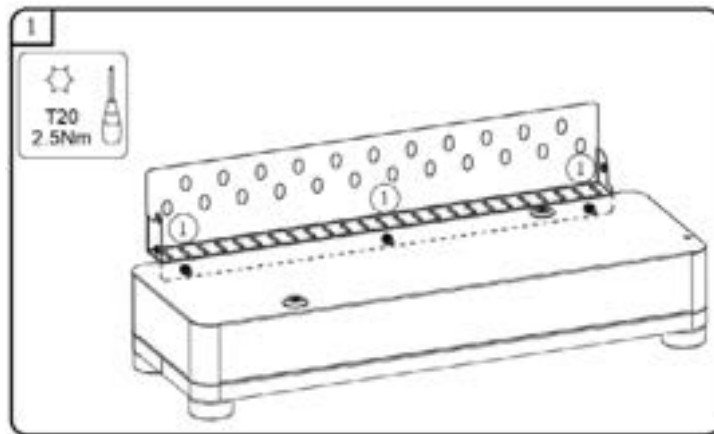
Battery mounting on the floor back to wall instructions:



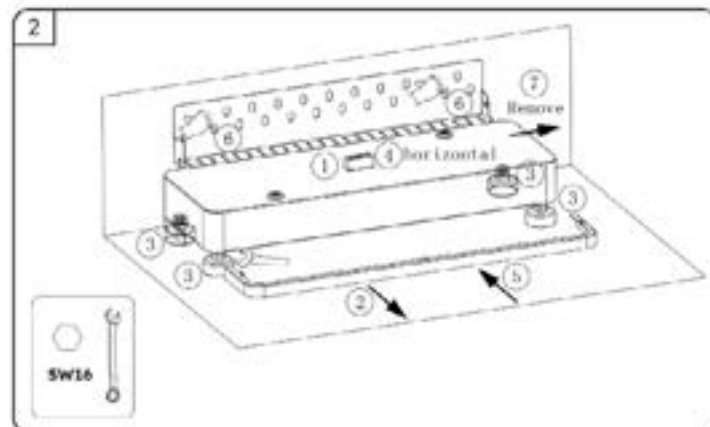
Risk of injury when lifting the battery as the battery weighs 44 kg. There is a risk of injury if the battery is lifted incorrectly or dropped while being transported or mounted.

- Transport and lift the battery always as described below. Take the weight of the product into account.
- Always have two persons mount and disassemble the product and pay attention to safety.
- Wear suitable personal protective equipment for all work on the product.

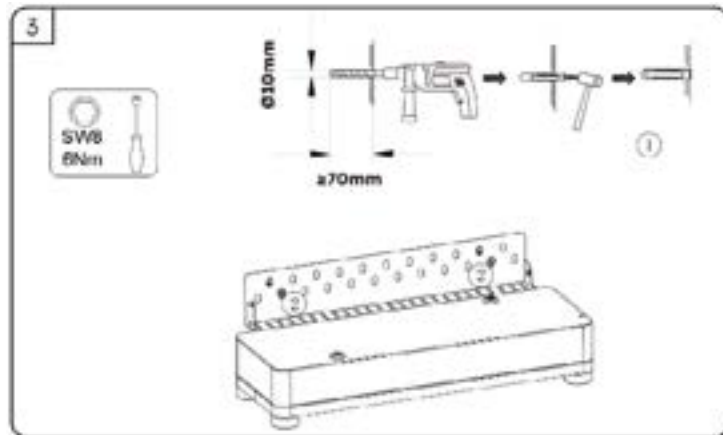
1. Take out the base unit and the wall connection plate of base unit, tighten them together with three screws M5\*12 (tool: T20 screwdriver, torque: 2.5Nm).



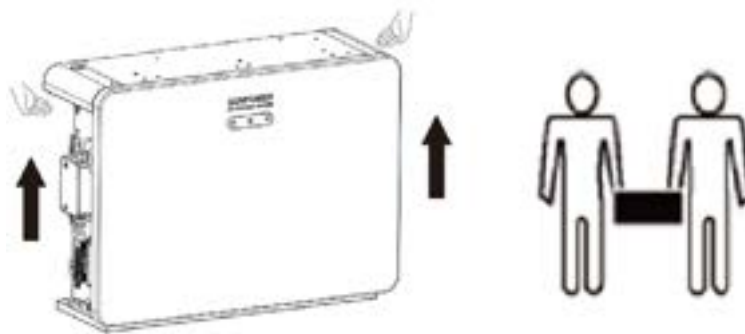
2. Place the small spirit level at the center of the base unit, remove the cover of the feet, adjust the four feet to level the base unit, assemble the cover of the feet to the base unit, mark the drill positions on the wall, and remove the base unit.



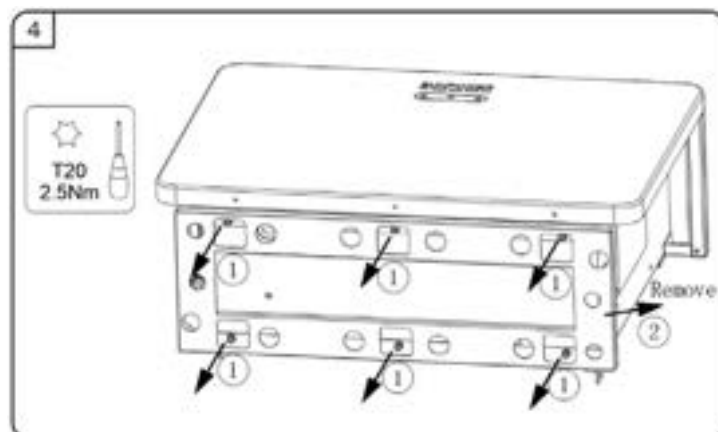
3. Drill the marked holes with a  $\varnothing 10\text{mm}$  drill. Insert the screw anchors into the drill holes, secure the base unit to the wall with the provided screws (tool: SW8 socket wrench, torque: 6Nm).



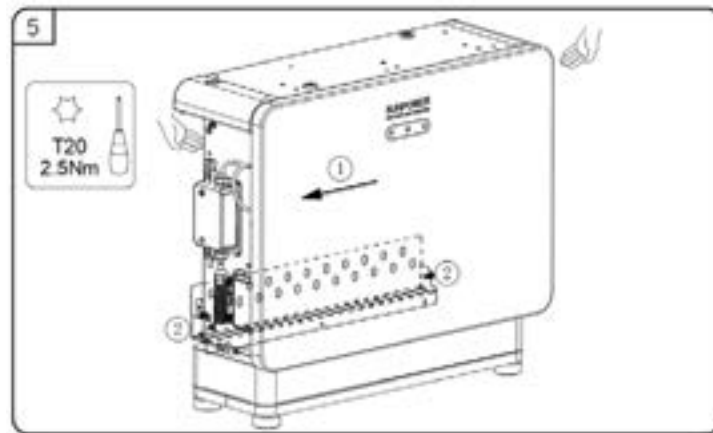
4. Take out the battery from the carton, transport it to the installation site.



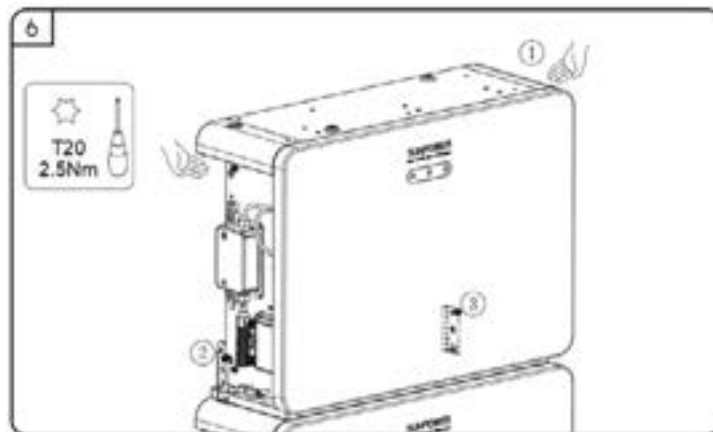
5. Remove the battery base from the battery bottom (tool: T20 screwdriver, torque: 2.5Nm), the battery will be located at the bottom. When doing so, please protect the appearance of the battery.



- Lift the battery by using the handles at two sides, place the battery on the base unit and move it to the left limit. Align the lower holes on both sides of the battery back to the wall connection plate of base unit, tighten them together with two screws M5\*10 (tool: T20 screwdriver, torque: 2.5Nm).

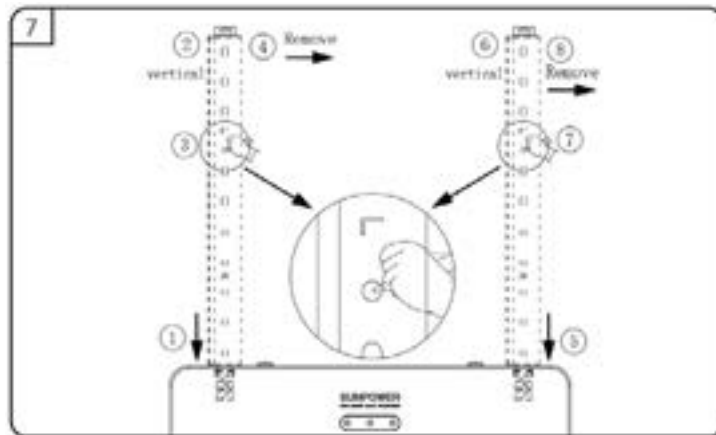


- Please jump to step 8 if there are only two batteries in the column. Lift the battery by using the handles at two sides, place this battery on the bottom battery. When doing so, align the two depressed positions at the bottom of the upper battery to the raised limit blocks at the top of the lower battery. Take out the lower left connection piece and lower right connection piece, use them to connect the lower left of the upper battery to the upper left of the lower battery with screws M5\*10 (tool: T20 screwdriver, torque: 2.5Nm), connect the lower right of the upper battery to the upper right of the lower battery.

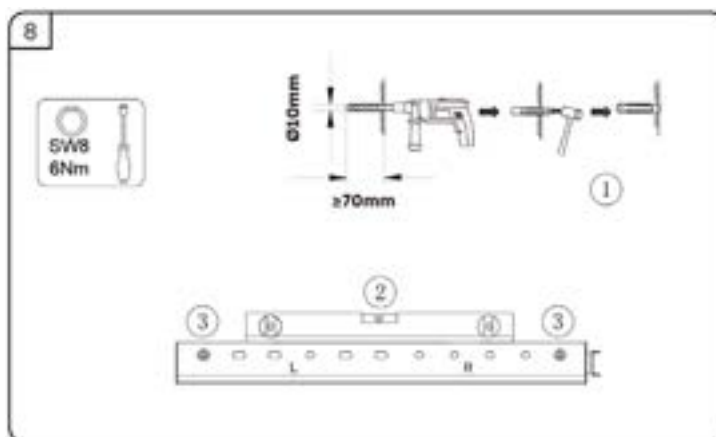


- Take out the wall connection plate of battery.

Place the raised edge of the plate facing left, push the lower end of the plate against the left and right hooks on the battery back, adjust its vertical position, and mark the drill positions through the circular hole on the wall.



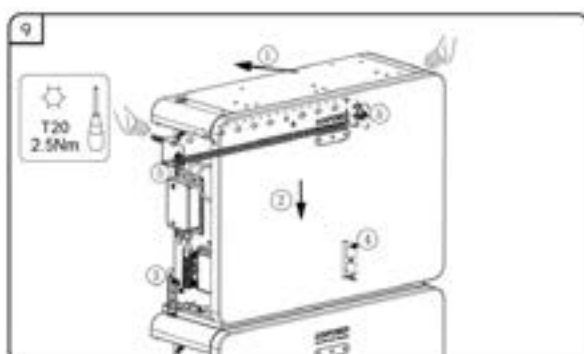
- Drill the marked holes with a  $\varnothing 10\text{mm}$  drill. Insert the screw anchors into the drill holes, secure the wall connection plate of battery to the wall with the provided screws (tool: SW8 socket wrench, torque:  $6\text{Nm}$ ).



- Horizontally lift the battery, let the upper part of the battery pass through the wall connection plate of battery, and vertically place the battery onto the lower battery.

Take out the lower left connection piece and lower right connection piece, use them to connect the lower left of the upper battery to the upper left of the lower battery with screws M5\*10 (tool: T20 screwdriver, torque:  $2.5\text{Nm}$ ), connect the lower right of the upper battery to the upper right of the lower battery.

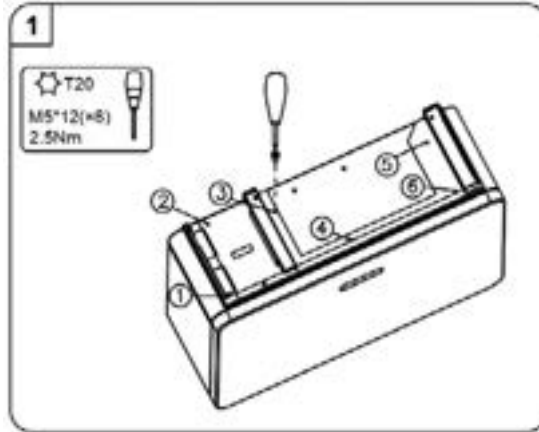
Secure the battery to the wall connection plate of battery with two M5\*12 (tool: T20 screwdriver, torque:  $2.5\text{Nm}$ ).



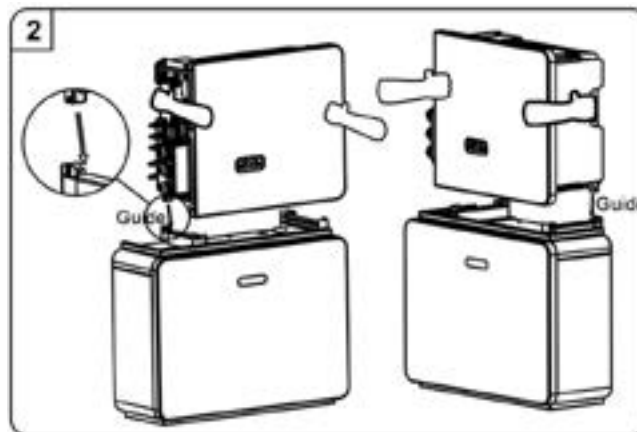
## 5.6.4 Mounting the Inverter on the Battery

Mount inverter standing on the battery:

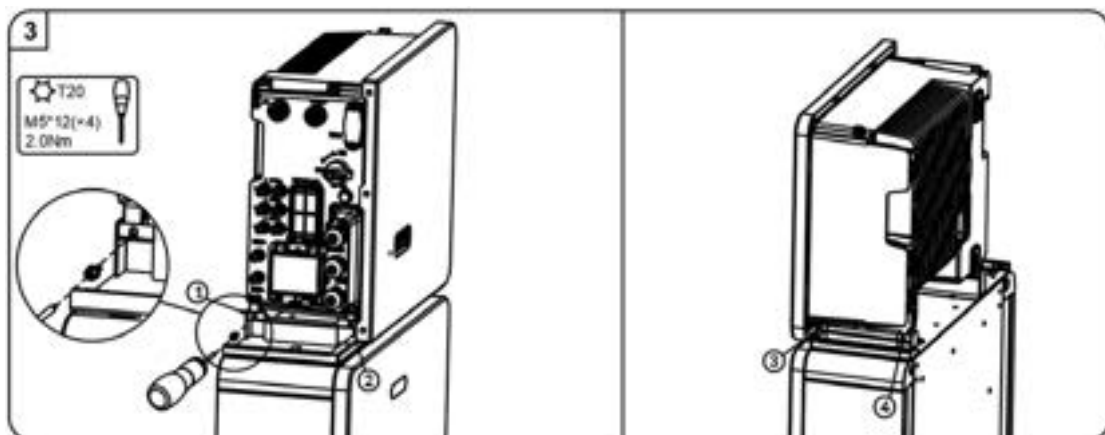
1. Take out the inverter base, fit it onto the top of the battery and attach them with six screws M5\*12 (tool: T20 screwdriver, torque: 2.5Nm).



2. Place inverter into the inverter base. When doing so, the lower right and left holes on the bottom of the inverter must be inserted into the respective guides in the inverter base.



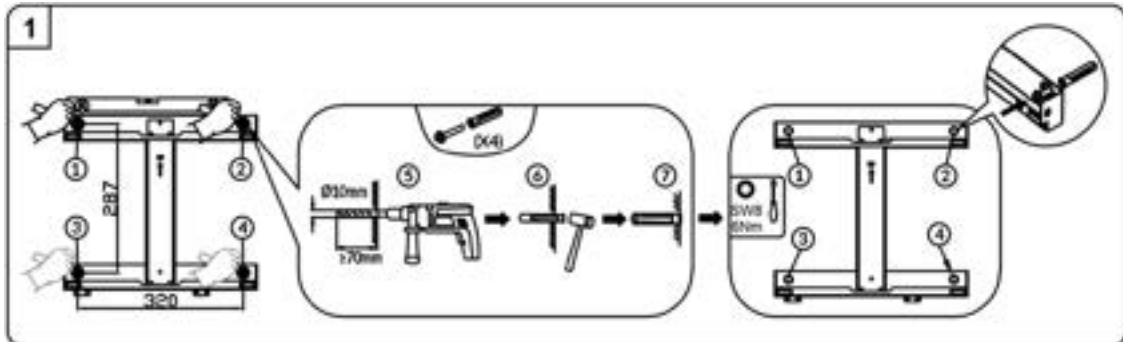
3. Attach the inverter to the inverter base. The inverter mounting holes should align to the horizontal holes of the inverter base, secure them with each two screws M5x12mm on the left and right sides (tool: T20 screwdriver, torque: 2.0Nm).



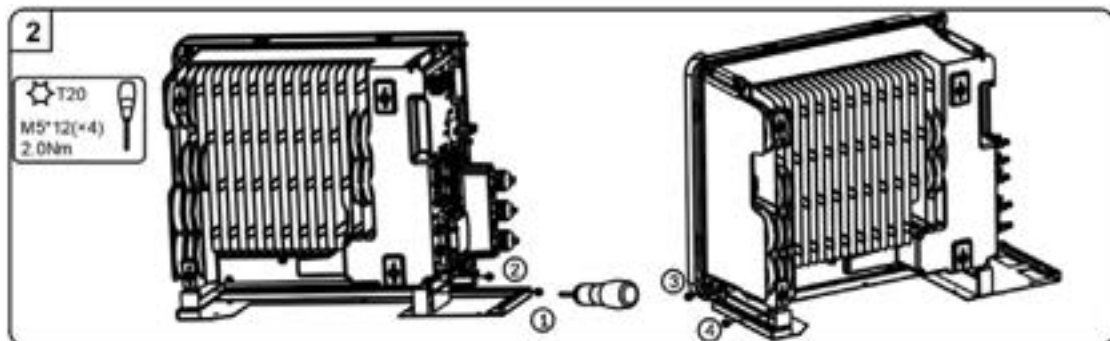
## 5.6.5 Mounting the Inverter on a Wall Bracket

Mounting the inverter with a wall bracket can provide a simplified path for a future battery addition.

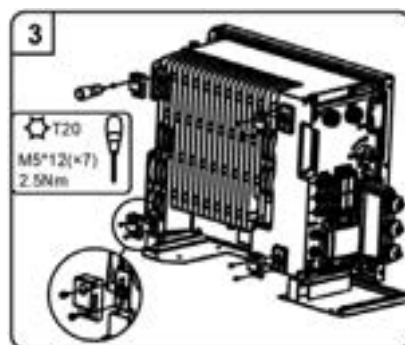
1. Unpack the wall bracket for the inverter. Select a suitable battery height. It is recommended to allow enough height for an additional battery to be added.  
Mark the four drilling positions of the wall bracket. Drill the marked holes with drill 10mm. Insert screw anchors into the drilling holes. Ensure that the wall bracket is placed horizontally using a spirit level before securing it. Secure the bracket to the wall, tighten the screws with the 8mm hex.



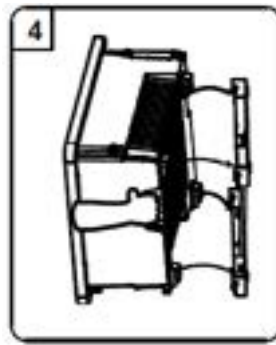
2. Take out the inverter base, place the inverter into the inverter base. When doing so, the lower right and left holes on the bottom of the inverter must be inserted into the respective guides in the inverter base. Secure the inverter base to the inverter with each two screws M5x12mm on the left and right sides (tool: T20 screwdriver, torque: 2.5Nm)



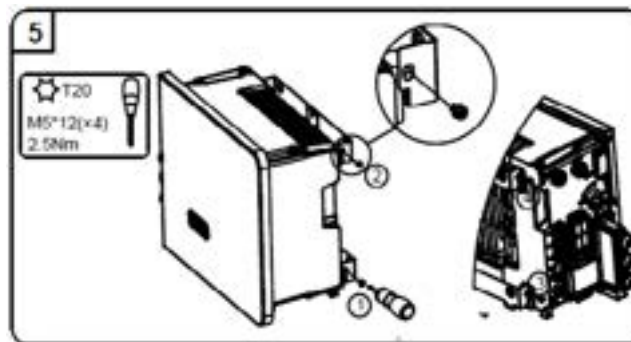
3. Take out the four hooks for wall bracket, assemble them to the inverter back with screws M5x12mm (tool: T20 screwdriver, torque: 2.5Nm).



- Hook the inverter into the wall bracket. Ensure that the battery is securely in place.



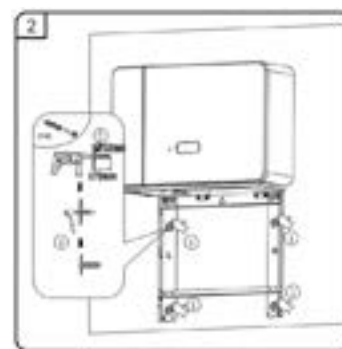
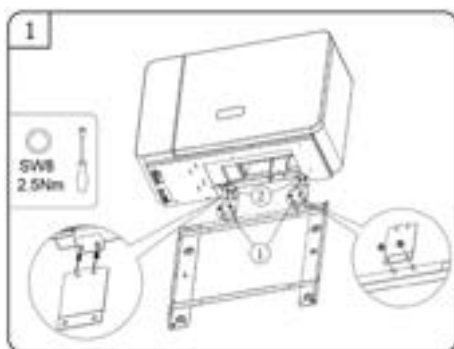
- Secure the inverter to the wall bracket. To do so, insert the four screws M5x12mm into the lower and upper threaded holes on both sides of the inverter and tighten them (tool: T20 screwdriver, torque: 2.5Nm).



### 5.6.6 Battery Mounting for Battery Ready Application

Battery ready scenario is where user installed hybrid inverter as a PV inverter and not installed a battery. Later the user may decide to install a battery. At this section we will introduce how to mount the first battery, please follow these steps.

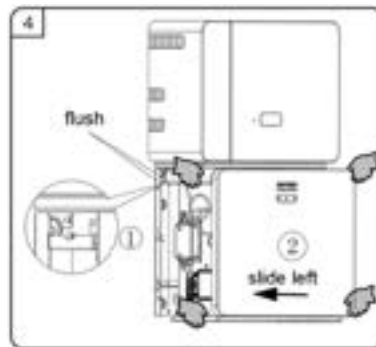
- Take out the battery wall bracket and two connection plates between wall brackets of inverter and first battery, assemble them with M5 nuts (tool: SW8 hexagon sleeve, torque: 2.5Nm).
- Align the upper holes of the connection plates between wall brackets of inverter and first battery to the lower rivets of the wall bracket of the inverter, mark the drilling positions on the wall and remove the battery wall bracket.



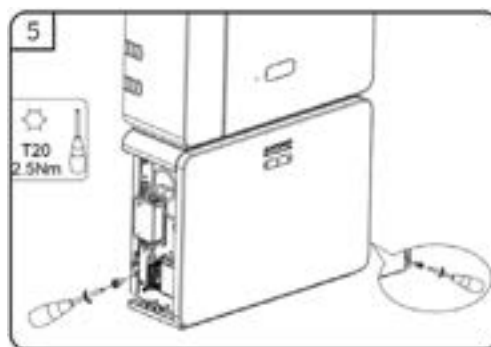
3. Drill the marked holes with a  $\varnothing 10\text{mm}$  drill. Insert the screw anchors into the drill holes. Align the upper holes of the connection plates between wall brackets of inverter and first battery to the lower rivets of the wall bracket of the inverter, secure the battery wall bracket to the wall with the provided screws (tool: SW8 socket wrench, torque: 10Nm).



4. Always hold the handles on both sides of the battery firmly and move it to the left, let the left hook of the battery pass through the opening of the battery wall bracket, carefully lift the battery backward and move it to the left limit.



5. Secure the battery to its wall bracket and tighten them with two screws (tool: T20 screwdriver, torque: 2.5Nm).

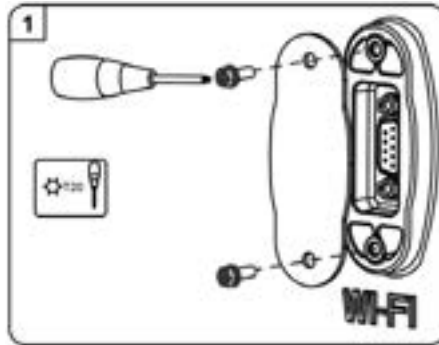


6. For mounting steps for additional batteries please see Section 5.6.1. Mounting the Battery with Wall Bracket.

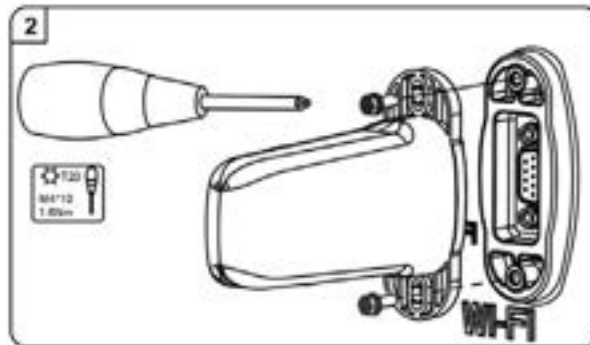


## 5.6.7 Mounting the Wi-Fi Module


1. Remove the protective cover of Wi-Fi port at the upper left of the inverter.




2. Tighten the Wi-Fi module onto the inverter with two M4x12mm screws provided (tool: T20 screwdriver, torque: 1.6Nm). DO NOT OVERTIGHTEN - or there may be damage to the plastic housing of the Wi-Fi module.




## 6.0 Electrical Connection

 **DANGER**

The energy storage system damage caused by incorrect cable connections, are not covered under any warranty. Only certified electricians are allowed to connect cables. Operation personnel must wear proper PPE when connecting cables.

 **DANGER**

Before connecting cables, ensure that all breakers and switches of the energy storage system is set to OFF. Otherwise, there is danger of high voltage/current of the system may result in electric shocks.

 **CAUTION**

The cable colors shown in the electrical connection diagrams provided in this chapter are for reference only. Select cables in accordance with local cable specifications (green-and-yellow cables are only used for PE).


### 6.1 Cable Requirements (not included)

No.	Cable	Type	Conductor Cross Section Area Range	Outer Diameter
1	PV Power cable	Standard PV cable (subject to local regulations)	4 to 6mm <sup>2</sup>	5-8mm
2*	Signal cable	Standard network cable (recommended type: Cat5e, SFTP, UV-resistant for outdoor use)	0.12 to 0.2mm <sup>2</sup> (AWG26 to AWG24)	4-6mm
3**	Signal cable	Outdoor shielded twisted pair copper cable	0.5 to 1.3mm <sup>2</sup>	4-6mm
4	AC Power cable	Five-core (L1, L3, L3, N and PE) outdoor copper cable	4 to 6mm <sup>2</sup>	13 -17.5mm
5	PE cable	Single-core outdoor copper cable	4 to 6mm <sup>2</sup>	N/A

\* For RS485, LAN, three-phase meter, DRM communication connection with inverter.

\*\* For AUX communication connection with inverter.

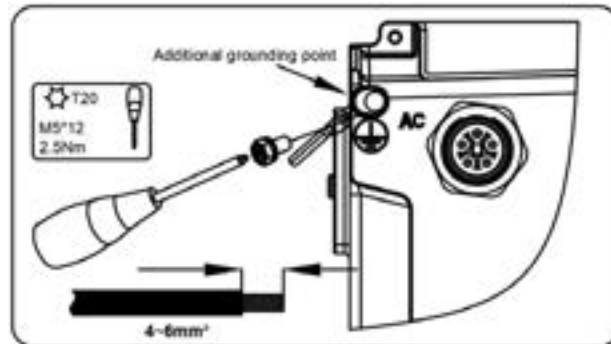
### 6.2 Grounding Connection

 **CAUTION**

**Electric Shock Hazard:**

Before doing electrical connection, please ensure the PV switch & all AC and BAT circuit breakers in the energy storage system are switched off and cannot be accidentally or unintentionally reactivated.

A grounding point is provided near the AC socket connector on the inverter. Prepare M5 Eye/Ring terminals, strip the grounding cable insulation, insert the stripped conductor into the ring terminal lug and crimp with a crimping tool. Connect the grounding terminal to the inverter (Tool: T20 screwdriver, torque: 2.5Nm).



## 6.3 AC Connection

### 6.3.1 Requirements for the AC Connection

AC cable requirements as follows:

- Conductor type: copper wire (tinned copper preferred)
- Current carrying capacity depends on the inverter model selected and should be such that the AC cable can carry the full current of the AC supply and the Backup output:

Example for 10kW inverter model

AC Supply Max. current: 21.7A

Backup Output Max. current: 21.7A

Note: Account for temperature derating and voltage drop/rise when selecting wire diameters. 110°C or higher rated cable derates slower as temperatures increase.

- External diameter: typically 13 mm to 17.5 mm for grid connector and backup connector
- Grid and backup conductor cross-section recommendation: 4 to 6 mm<sup>2</sup>
- Insulation stripping length: 10 mm
- Sheath stripping length: 43 mm



You must protect each inverter with an individual grid/backup circuit breaker to ensure that the inverter can be disconnected safely.



Residual-current monitoring unit:

The inverter does not require an external residual-current device when operating.

If local regulations or a particular installation configuration requires the use of a residual-current device, or a Hybrid-coupled storage system with a big coupling capacity from the PV array and PV inverter, the following must be observed:

The inverter is compatible with type A residual-current devices with a rated residual current of 100mA or higher. Each inverter in the system must be connected to the utility grid via a separate residual-current device.



For Australia and New Zealand installation site, the neutral cables of grid side and backup side must be connected, otherwise backup output function will not work normally.



In all cases, Normal Loads and Essential Loads must be appropriately protected by earth fault protection devices (e.g. Type A or Type B RCDs, RCBOs) in accordance with appropriate standards.

Backup Loads should not exceed the rated capacity of the inverter, even during on-grid operation.

### 6.3.2 Select Suitable AC Circuit Breaker

The general requirements for the selection of circuit breakers are determined by standards and country specific provisions. In the following, generally applicable influencing factors to be considered when selecting a suitable circuit breaker are listed:

- Factors influencing the ampacity of the cable: type of cable used, ambient temperature around the cable, type of cable routing, bundling of cables.
- Other influences on dimensioning: loop impedance, mutual heating of circuit breakers, ambient temperature at the circuit breaker, selectivity, type of connected device.

If these factors are ignored, it increases the danger of the circuit breaker tripping under normal operating conditions.

Selecting Circuit Breakers for the AC supply and Backup output is dependent on the maximum current of the backup circuit and the inverter (if it is force-charged), the model of MCBs used and their derated current rating considering their maximum temperatures. Supplier Datasheets detail temperature derating for their MCBs. Ensure the MCBs used are appropriate for the current and the operating temperature, otherwise it increases the danger of the circuit breaker tripping under normal operating conditions.

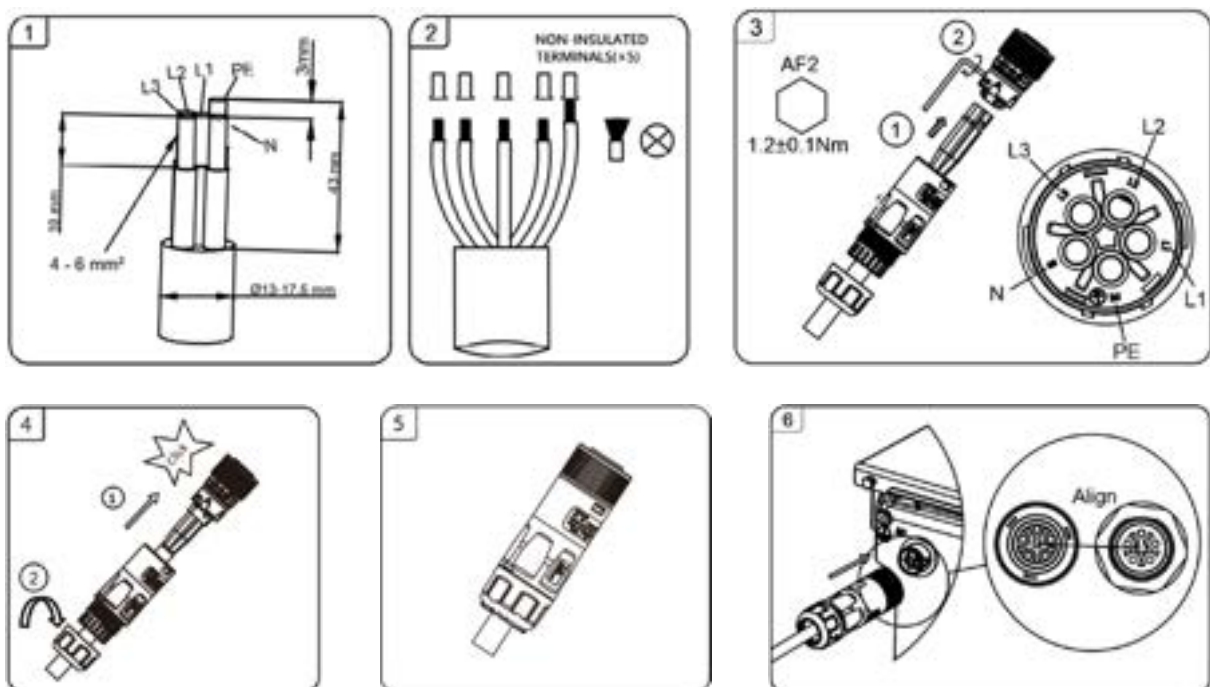
## AC connection recommendation

Description	Rated Current	Breaker Type	Recommend cable cross section
Grid Side	21.7 A	32 A	4 to 6mm <sup>2</sup>
Backup Side	21.7 A	32 A	4 to 6mm <sup>2</sup>

### 6.3.3 Grid and Backup Connection

The steps for connecting the grid connector as follows:

1. Disconnect the PV switch, grid, backup and battery circuit breaker and secure them to prevent reconnection.
2. Strip the AC cable outer insulation by 43 mm.
3. Shorten L1, L2, L3 and N by 3 mm each, so that the grounding conductor is 3 mm longer. This ensures that the grounding conductor is the last to be pulled from the screw terminal in the event of tensile strain.
4. Strip the insulation of L1, L2, L3, N and the grounding conductor 10 mm.
5. If using fine stranded wire, fit L1, L2, L3, N and PE with bootlace ferrules.
6. Disassemble the grid plug connector, pass the swivel nut and threaded sleeve over the AC cable.
7. Insert the five conductors into the screw terminals on the bush insert and tighten the screws using the torque 1.2 Nm with provided tool. Ensure that all conductors are securely in place in the screw terminals on the bush insert.
8. Insert the threaded sleeve into the bush insert and hear the „click“ sound. Screw the swivel nut onto the threaded sleeve.
9. Plug the grid plug connector into the socket for the grid connection until it audibly snaps into place. When doing so, align the grid plug connector so that the convex rib on the bush insert on the grid plug connector should point to the groove on the grid connection socket first, then insert the grid plug connector to the grid connection socket.

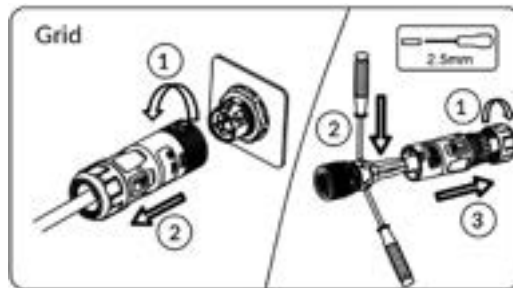


The steps for backup connection are similar as the grid connection, the difference is step 9 as follows:

Plug the backup plug connector into the socket for the backup connection until it audibly snaps into place. When doing so, align the backup plug connector so that the **groove** on the bush insert on the backup plug connector should point to the **convex rib** on the backup connection socket first, then insert the backup plug connector to the backup connection socket.

Disassemble the grid plug connector (e.g. due to faulty assembly), proceed as follows.

1. Unplug the grid plug connector. Rotate the bush insert of the grid plug connector anticlockwise, then pull the grid plug connector apart from the grid connection socket. Do not pull on the cable.
2. Unlock the grid plug connector. To do this, unscrew the swivel nut from the threaded sleeve, then insert a flat-blade screwdriver (blade width: 2.5 mm) into the side catch mechanism and pry the catch mechanism open. Carefully pull the bush insert apart.



Disassemble the backup plug connector (e.g. due to faulty assembly), proceed as follows.

1. Unplug the backup plug connector. Rotate the bush insert of the backup plug connector clockwise, then pull the backup plug connector apart from the backup connection socket. Do not pull on the cable.
2. Unlock the backup plug connector. To do this, unscrew the swivel nut from the threaded sleeve, then insert a flat-blade screwdriver (blade width: 2.5 mm) into the side catch mechanism and pry the catch mechanism open. Carefully pull the bush insert apart.



## 6.3.4 Energy Meter Connection

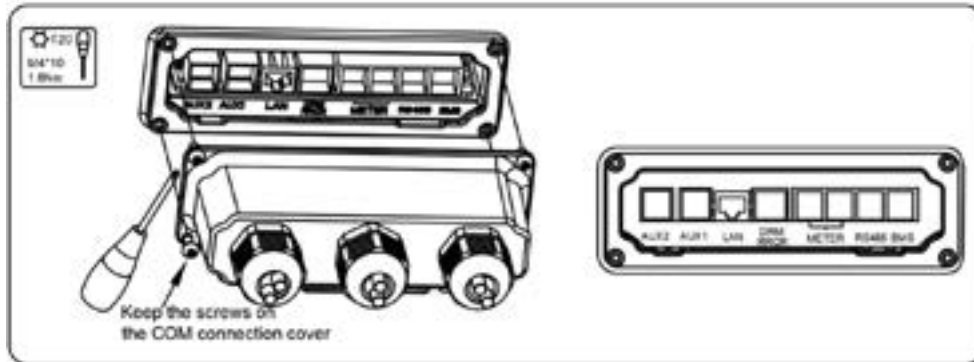
### 6.3.4.1 Energy Meter Rating

Item	Current	Scenarios
DTSU666-3*230V 100A/40mA	100 A	Three phase meter

### 6.3.4.2 Meter Wiring

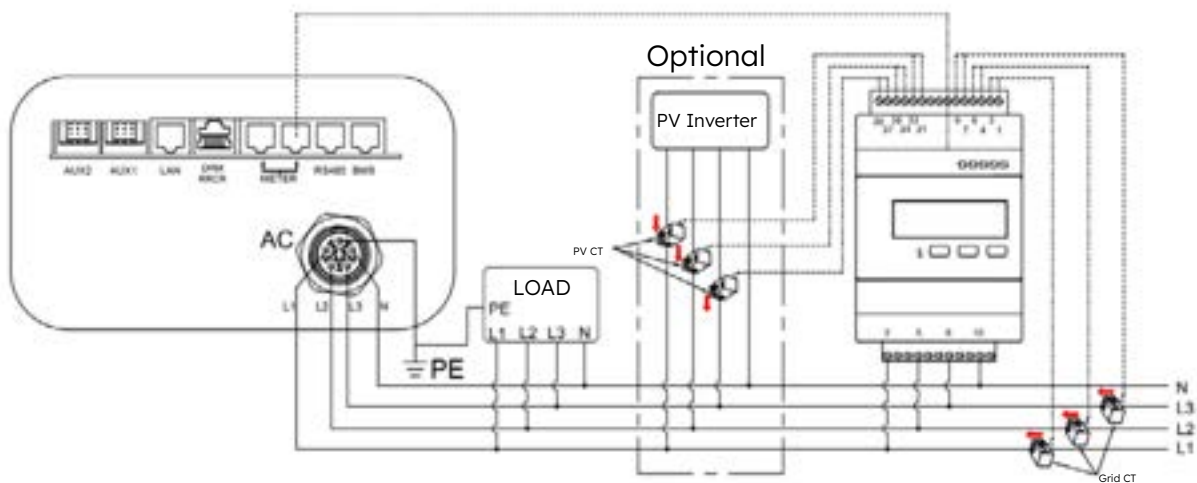
Meter Wiring Instructions:

1. Take out the meter, type: DTSU666-3\*230V 100A/40mA.
2. Prepare the meter communication cable, its requirements: standard network cable (recommended type: Cat5e, SFTP, UV-resistant for outdoor use).
3. Loosen the strain relief nut of the cable gland on the COM connection cover of inverter, and unscrew the 4 screws on the corners, then you will see two meter communication ports with the same function.



4. Pass the meter cable through the cable gland of the COM connection cover but don't tighten the strain relief nut of the cable gland.
5. Insert the RJ45 plug into the communication port symbolled with " METER".
6. Perform the meter wiring according to the below wiring diagram as follows. The connections are marked clearly on the meter.

<b>NOTICE</b>	<p>Be very careful when wiring or checking these connections because the connections appear reversed when the meter is secured in place on the Din Rail. Always physically check label on the meter when wiring any CTs or grid reference wires.</p>
---------------	--



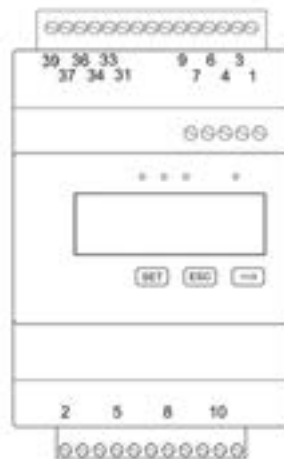
Wiring location description of the meter

GRID CT	PV CT	GRID
1-----IA* (White)	31-----IA* (White)	2-----L1
3-----IA (Blue)	33-----IA (Blue)	5-----L2
4-----IB* (White)	34-----IB* (White)	8-----L3
6-----IB (Blue)	36-----IB (Blue)	10----- N
7-----IC* (White)	37-----IC* (White)	
9-----IC (Blue)	39-----IC (Blue)	

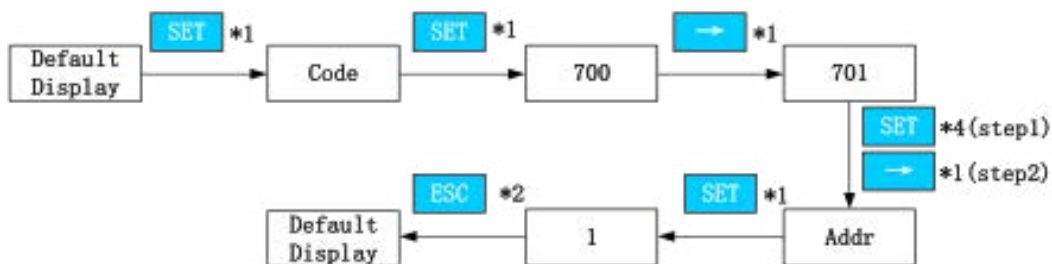
CT Group	Grid-> Load						PV->Load							
CT Phase	IA*	IA	IB*	IB	IC*	IC			IA*	IA	IB*	IB	IC*	IC
Terminal	1	3	4	6	7	9	X	X	31	33	34	36	37	39
Colour	White	Blue	White	Blue	White	Blue			White	Blue	White	Blue	White	Blue

### 6.3.4.3 Meter Configuration

3-phase meter setting instructions:




The default address is 1. The installer doesn't need to make any other settings. If installer wants to have a check, please follow the steps below.



Do not modify the "Meter CT Ratio".



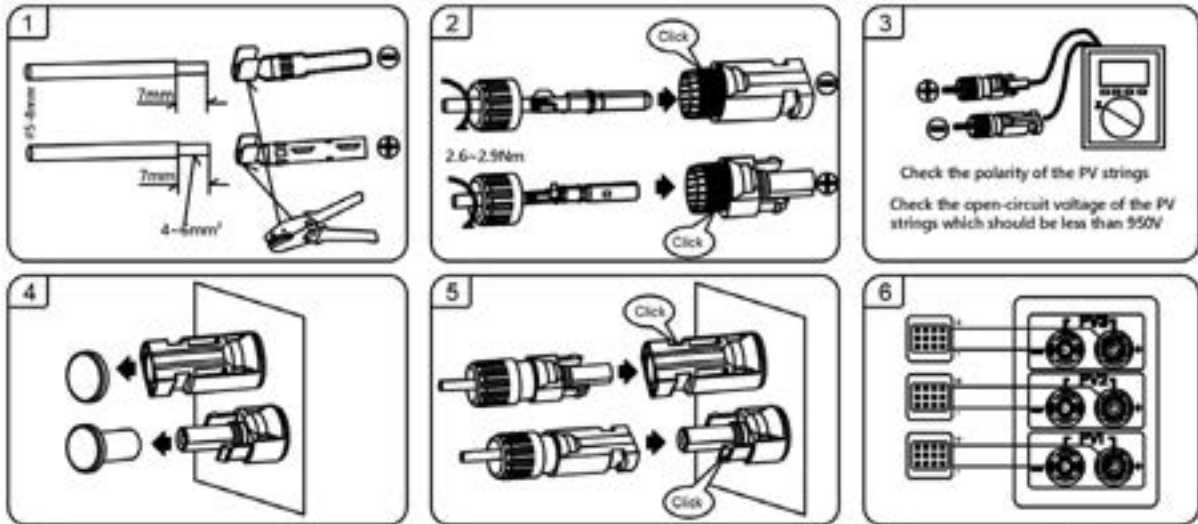
## 6.4 PV Connection

 <b>DANGER</b>	<p>Danger to life due to electric shock if live components or DC cables are touched.</p> <p>The DC cables connected to a battery, or a PV module may be live. Touching live DC cables can result in serious injury or even death due to electric shock. To avoid this danger:</p> <ul style="list-style-type: none"><li>• Disconnect the inverter and battery from voltage sources and make sure it cannot be reconnected before working on the device.</li><li>• Do not touch non-insulated parts or cables.</li><li>• Do not disconnect the DC connectors under load.</li><li>• Wear suitable personal protective equipment for all work on the product.</li><li>• Observe all safety information in this document.</li></ul>
<b>NOTICE</b>	<p>Destruction of the inverter due to overvoltage</p> <p>If the open-circuit voltage of the PV modules exceeds the maximum input voltage of the inverter, the inverter can be destroyed due to overvoltage.</p> <ul style="list-style-type: none"><li>• If the open-circuit voltage of the PV modules exceeds the maximum input voltage of the inverter, do not connect any strings to the inverter and check the design of the PV system.</li></ul>
<b>NOTICE</b>	<p>Damage to the product due to ground fault on DC side during operation</p> <p>Due to the transformer less topology of the inverter, the occurrence of ground faults on DC side during operation can lead to irreparable damage. Damages to the inverter due to a faulty or damaged DC installation are not covered by warranty. The inverter is equipped with a protective device that checks whether a ground fault is present during the starting sequence. The inverter is not protected during operation.</p> <ul style="list-style-type: none"><li>• Ensure that the DC installation is carried out correctly and no ground fault occurs during operation.</li></ul>
<b>NOTICE</b>	<p>Damage to the inverter due to sand, dust and moisture ingress if the PV inputs are not closed.</p> <p>The inverter is only properly sealed when all unused PV inputs are closed with sealing plugs. Sand, dust and moisture penetration can damage the inverter and impair its functionality.</p> <ul style="list-style-type: none"><li>• Seal all unused PV inputs using sealing plugs.</li></ul>

Please ensure the following before connecting PV strings to the inverter:

- Make sure the open voltage of the PV strings will not exceed 950V. Violating this condition will void the warranty.
- Make sure the polarity of the PV connectors is correct.
- Ensure that the PV switch is off.
- Make sure PV output resistance to ground is higher than 200KOhms.

The inverter uses the MC4 PV connectors. Please follow the picture below to assemble the PV connectors. PV conductor cross section requirements: 4-6 mm<sup>2</sup>



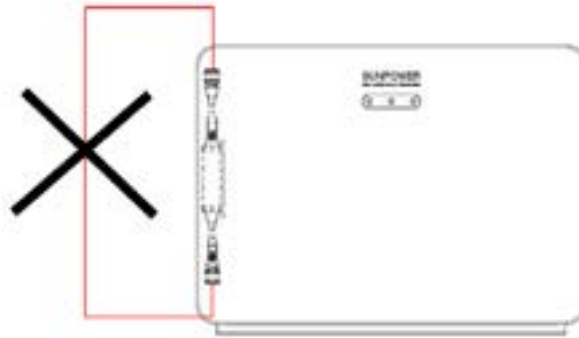
## 6.5 Electrical Connection between Batteries



Danger to life due to burns caused by electric arcs through short-circuit currents.





Short-circuit currents in the battery can cause heat build-up and electric arcs. Heat build-up and electric arcs may result in lethal injuries due to burns.

- Disconnect the battery from all voltages sources prior to performing any work on the battery.
- The upper connector of the lower battery is connected to the lower connector of the upper battery, otherwise the short-circuiting of the battery will occur.
- Observe battery safety information provided in the Safety and Installation Instructions.



There is a specific sequence for cables passing through the cable holes of the battery and battery base. First take the BAT power cable passing through the cable holes, then the battery communication cable from the battery below, at last the grounding cable.

Please pay attention to the battery cable types

No.	Picture	Description
1		The power cable, black, provided by battery connect the upper power+ connector of the lower battery to the lower power-connector of the upper battery
2		The short grounding cable, provided by battery connect the grounding points of the adjacent batteries.
3		The medium length power cable, black, provided by inverter connect lower power- connector of the bottom battery of the first column series battery and upper power+ connector of the top battery of the second column series battery.
4		The battery communication cable, provided by inverter connect the lower communication connector of the bottom battery of the first column series battery and the upper communication connector of the top battery of the second column series battery.

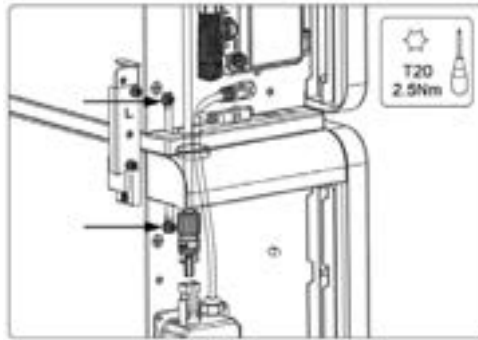
5



The long grounding cable, provided by inverter connect the grounding point of the bottom battery of the first column series battery and the grounding point of the bottom battery (or the top battery) of the second column series battery.

Instructions for grounding cable connection between the adjacent batteries:

1. Loosen the M5 screws tightened at the grounding points.
2. Connect the grounding points of the adjacent batteries with M5 screws.

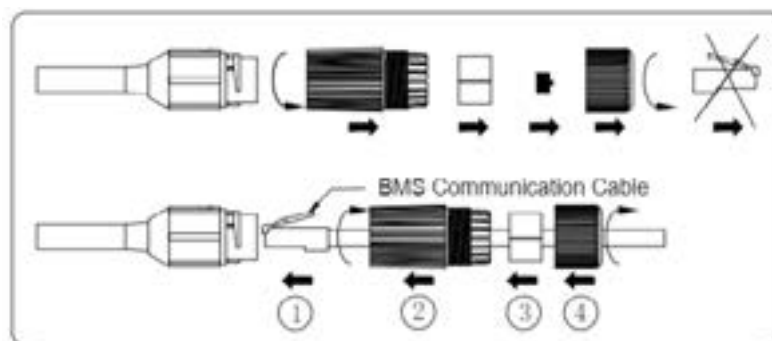


Instructions for power cables connection between the adjacent batteries:

1. Connect the upper power+ connector of the lower battery to the lower power- connector of the upper battery using the provided BAT power cable. When doing so please pay attention to the label at the cable end.

Instructions for communication connection between the adjacent batteries:

1. Pick up the communication connector located at the lower left of the battery, and disassemble it. Unscrew the swivel nut from the threaded sleeve, remove the sealing ring, rubber plug and terminal resistor. Retain the terminal resistor of the last battery.
2. Pass the swivel nut and threaded sleeve over the communication cable from the battery below. Insert the RJ45 plug to the RJ45 socket, tighten the threaded sleeve, insert the cable from the side split of the sealing ring, push the sealing ring to the end of the threaded sleeve and tighten the swivel nut at last.

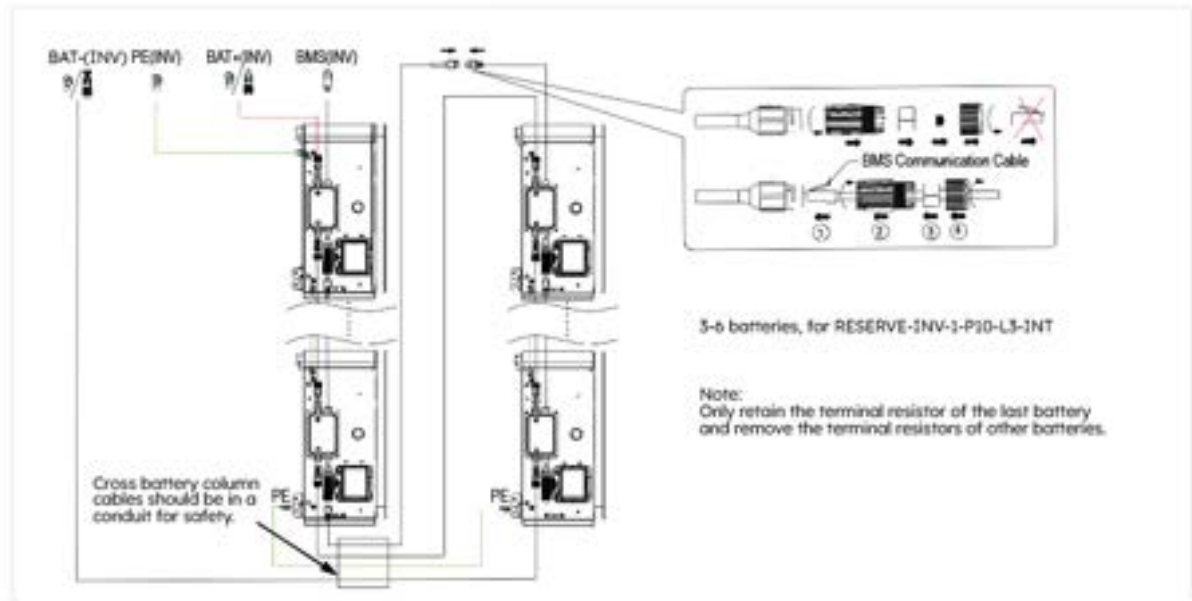


If there are two column batteries, you should perform other electrical connection.

Take out the grounding cable, power cable and communication cable, provided by the inverter. Perform electrical connection between the bottom battery of the first column battery and the top battery of the second column battery, refer to this Section and the system wiring diagram of next page for the detailed installation

## 6.6 Electrical Connection between the Inverter and RESERVE-BAT-1-DC-4-INT

Typical system wiring diagram for inverter and RESERVE-BAT-1-DC-4-INT batteries (Max. 6) as follows:



There is a specific sequence for cables passing through the cable holes of the battery left handes and inverter base, first take the BAT main positive power cable passing through the cable holes, then the battery communication cable from the battery below, at last the grounding cable.

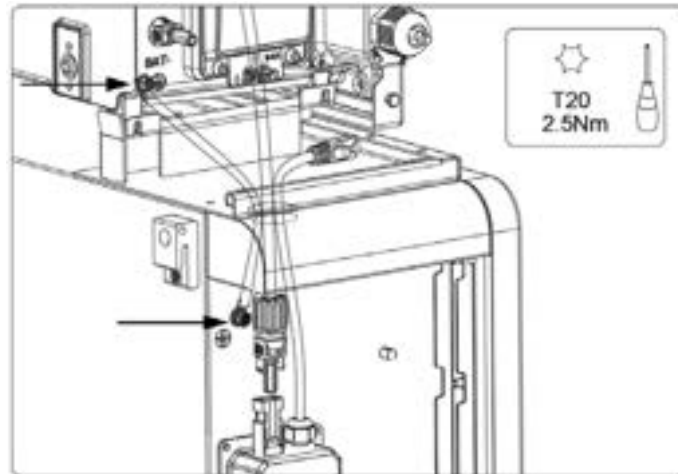
Please pay attention to the cable type, there is three kinds of cables.

No.	Picture	Description
1		Using the red power cable connect BAT main positive of battery and the BAT positive of inverter
2		The longest power cable, black connect BAT main negative of battery and the BAT negative of inverter
3		The grounding cable connect the grounding point of the inverter and the grounding point of the first battery.

## 6.6.1 Grounding Connection between INV and first BAT

Grounding cable connection instructions:

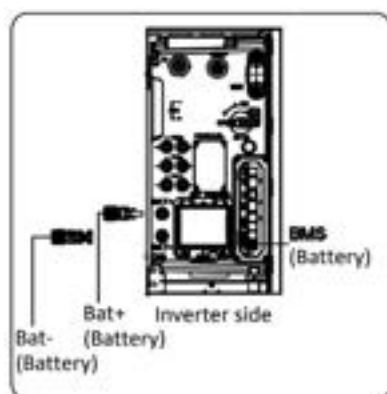
1. Loosen the M5 screws tightened at the grounding points.
2. Connect grounding point of the inverter and the grounding point of the first battery with two M5 screws (tool: T20 screwdriver, torque: 2.5Nm).



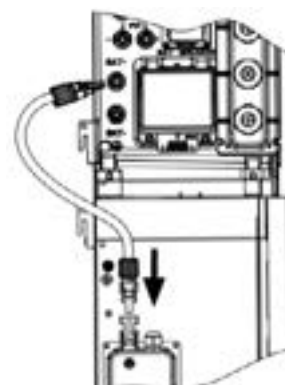
## 6.6.2 Power Connection between INV and BAT

Power cables connection between the inverter and batteries instructions:

1. Take down the protective caps from the BAT power connectors of the inverter.
2. Take out the BAT main negative power cable, plug the power connector to the BAT- connector of the inverter, when doing so please pay attention to the label at the cable end. Perform the similar action to connect the BAT main negative power cable to the lower power connector of the last battery.
3. Take out the BAT main positive power cable, plug the power connector to the BAT+ connector of the inverter, when doing so please pay attention to the label at the cable end. Perform the similar action to connect the BAT main positive power cable to the upper power connector of the first battery.



Inverter side

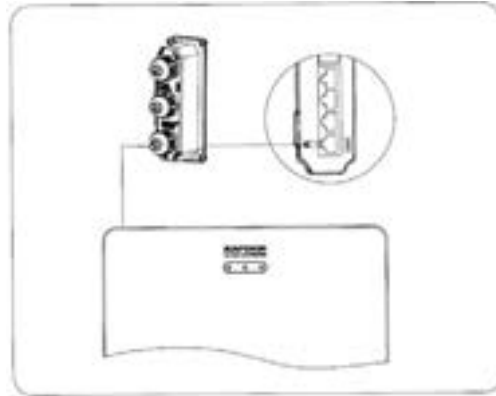


Positive connection between  
1st BAT and INV

### 6.6.3 Communication Connection between INV and BAT

Communication cable connection between the inverter and battery instructions:

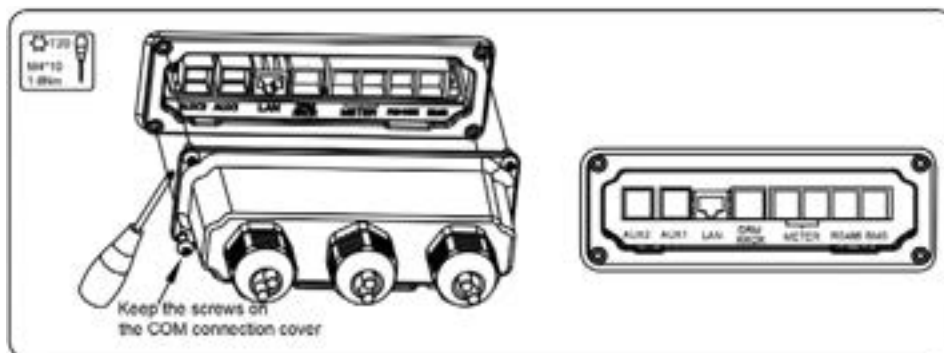
1. Pass the battery communication cable of the first battery through the cable gland of the COM connection cover of inverter. Do not tighten the strain relief nut of the cable gland.
2. Insert the RJ45 plug to the BMS communication port of the inverter.



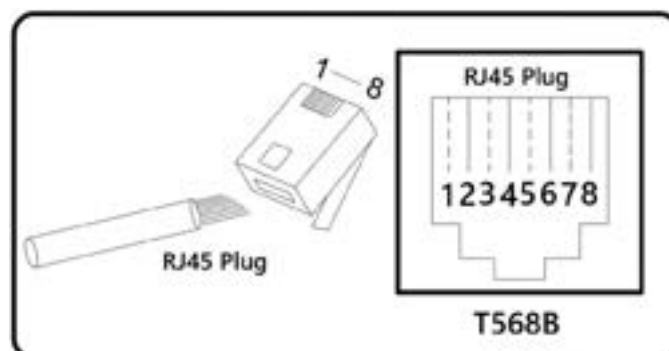
## 6.7 Other Communication Connection with Inverter

For other communication (AUX2, AUX1, LAN, RRCR&DRM, Meter, RS485) connection, please follow the steps below.

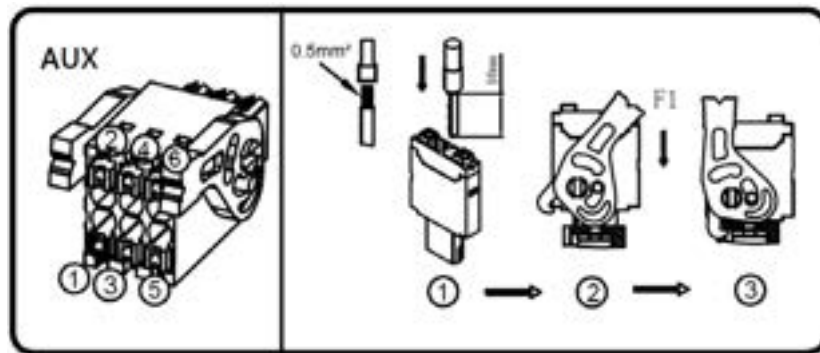
1. Loosen the cable glands on the COM connection cover of the inverter, and then unscrew the 4 screws on the COM connection cover.



2. Pass the communication cables through the cable glands of the COM connection cover. Do not tighten the strain relief nuts of the cable glands yet. Insert the RJ45 plugs to the relative RJ45 sockets.



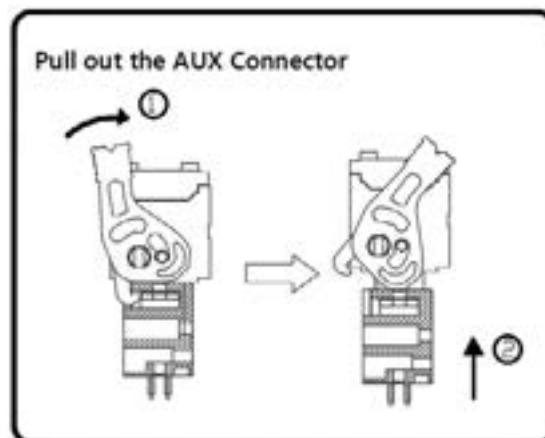
3. For meter wiring, refer to Section 6.3.4.1
4. If DRM support is specified, the system may only be used in conjunction with a Demand Response Enabling Device (DRED). This ensures that the system implements the commands from the grid operator for active power limitation at all times. The system and the Demand Response Enabling Device (DRED) must be connected in the same network. Only DRM0 is available for RESERVE inverter.
5. Take out 1 pc 6 pin terminal block for AUX connection. For AUX position definition, please refer to the AUX wiring documentation.



When an emergent situation occurs, such as fire, the end user can manually press the EPO (Emergency Power Off) button to shut down the inverter and switch off the battery (except for the PV array). End users or installer should prepare the external EPO.

AUX cable requirements: outdoor shielded copper cable (flexible), recommended conductor cross-section 0.5mm<sup>2</sup>, conductor ends should be fitted with bootlace ferrules.

To disconnect the AUX connection, rotate the handles on both sides clockwise, unplug the AUX connector, insert a screwdriver (blade width: 1.2 mm) into the relative connection position and unplug the conductor.





- Place the COM connection cover against the inverter enclosure and tighten the 4 screws. When securing the cover over the communication ports, tighten the cover in place and then lightly push the communication cables into the cover as you tighten the strain relief nuts onto the cables. This will ensure the communication cables are well-seated in the RJ45 ports.

The pin definition of the communication ports:

Port	Pin Numbers							
BMS	1	2	3	4	5	6	7	8
	/	RS485_ A4	/	CAN1_H	CAN1_L	/	RS485_ B4	/
RS485	1	2	3	4	5	6	7	8
	12 V	DEBUG_ RXD_ COM	GND	RS485_ B5	RS485_ B5	/	DEBUG_ TXD_ COM	/
METER	1	2	3	4	5	6	7	8
	/	/	RS485_ A7	/	/	RS485_ B7	/	/
DRM	1	2	3	4	5	6	7	8
	DRED 1/5	DRED 2/6	DRED 3/7	DRED 4/8	REF GEN/0	COM LOAD/0	/	/
RRCR	1	2	3	4	5	6		
	K1	K2	K3	K4	3.3V	/		
AUX1	1	2	3	4	5	6		
	DO1_NO	DO1_ COM	DO1_NC	DI_ negative	DI_ positive	GND		
AUX2	1	2	3	4	5	6		
	DO2_ NO	DO2_ COM	DO2_NC	DI_ negative	DI_ positive	GND		

## 6.8 Mounting Covers of the Inverter and Battery

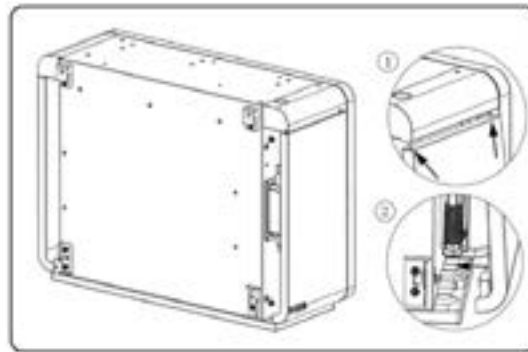
Make sure all the wiring is secure and the system is working normally and then mount the covers of the inverter and the battery.

## 6.8.1 Mounting the Side Plates of Battery

Mounting the side plates of battery

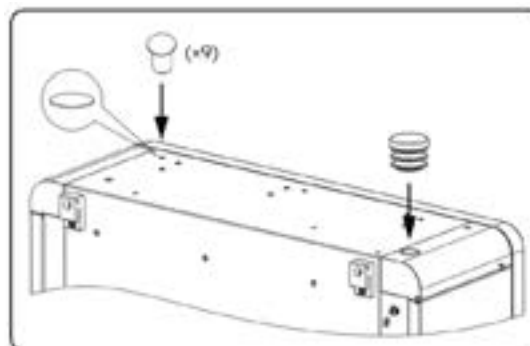
1. Take out the left side plate and the right side plate.
2. Align the left side plate so that the two holes on the top edge of the left side plate should point to the raised pins on the bottom of the left handle, then push the lower part of the left side plate to the battery housing till hear the „click“ sound.

Take similar actions to mount the right side plate



## 6.8.2 Mounting the Silicone Stopper and Plastic Buckle on Battery Top

If the second column of series batteries have been installed, take out the silicone stoppers and plastic buckle, plug them to the designated holes to improve the appearance of the battery top.



## 6.8.3 Mounting the Covers of the Inverter

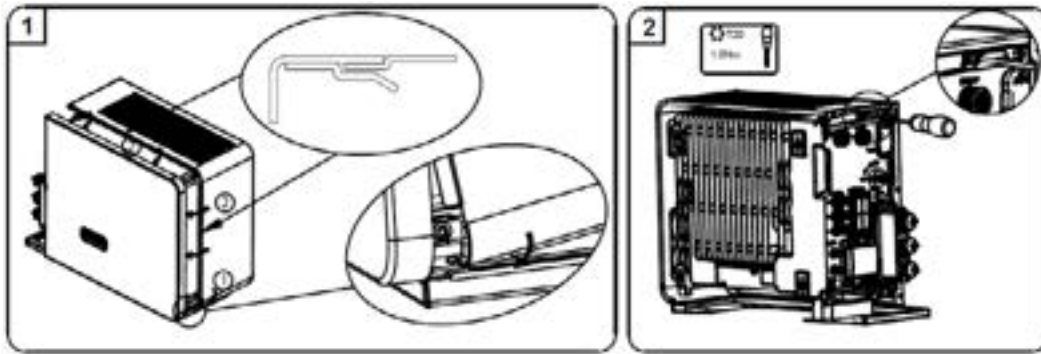


**TIP**

The serial number and check code of the inverter is located on right side of the inverter. Make sure that you have made a note of them before installing this cover.

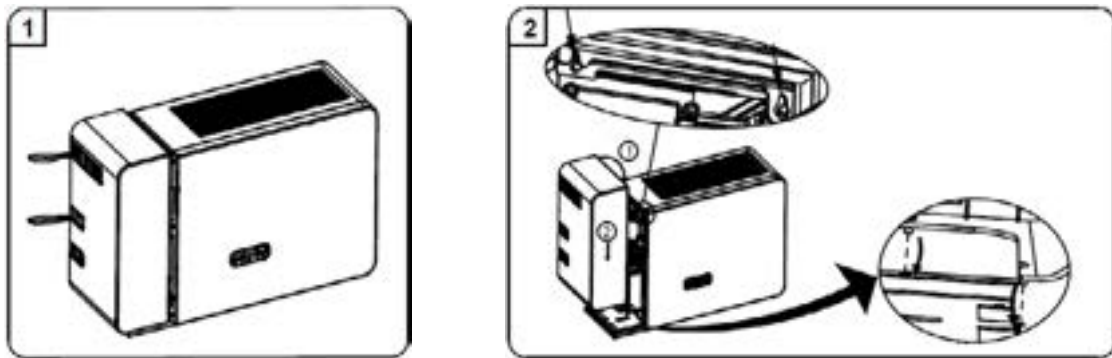
Attach the side cover to the inverter.

1. Take out the side cover.
2. Insert the lower right edge of the side cover to the slot on the inverter base, push the front edge of the side cover towards the edge of the inverter front cover till the two side screws on the side cover align with the inverter mounting threaded holes, secure them (tool: T20 screwdriver, torque: 1.6Nm).



Attach the cable cover to the inverter.

1. Take out the cable cover.
2. Place the cable cover against the inverter left side. Cut cable holes based on the PV and AC cabling routing, and route the cables through the cable holes.
3. Align the holes on the right side of the cable cover to the hooks on the left side of the inverter front cover, push the cable cover along the edge of the front cover downwards.



## 7.0 Startup and Shutdown Procedure

### 7.1 Startup Procedure

1. Switch ON the BATTERY SYSTEM ISOLATOR which is at the lower left of the inverter.
2. Switch ON the BATTERY CIRCUIT BREAKERS of all batteries which are at the lower left of the batteries.
3. Switch ON the AC GRID SUPPLY to the inverter.
4. Switch ON the AC BACKUP SUPPLY from the inverter if installed.
5. Switch ON the PV switch (if there is any) between the PV strings and the inverter.
6. Switch ON the PV ISOLATOR on the left side of the inverter immediately below the Wi-Fi port, if PV arrays are connected to inverter directly.
7. Switch ON the AC breaker (if there is any) between the PV inverter and the grid.

### 7.2 Shutdown Procedure



After the energy storage system is powered off, the remaining charge and heat may still cause electric shocks and body burns. Therefore, put on protective gloves and wait for the product 5 minutes after the power-off.

1. Set the Changeover switch to MAINS to supply loads from the GRID, if installed.
2. Switch OFF the AC BACKUP SUPPLY from the inverter if installed.
3. Switch OFF the PV switch (if there is any) between the PV strings and the inverter.
4. Switch OFF the PV ISOLATOR on the left side of the inverter, immediately below the Wi-Fi port, if PV arrays are connected to inverter directly.
5. Switch OFF the BATTERY CIRCUIT BREAKERS of all batteries which are at the lower left of the batteries.
6. Switch OFF the BATTERY SYSTEM ISOLATOR which is at the lower left of the inverter.
7. Switch OFF the AC GRID SUPPLY to the inverter.
8. Switch OFF the AC breaker (if there is any) between the PV inverter and the grid.

### 7.3 Checks before start-up

No.	Check Item	Acceptance Criteria
1	Mounting environment	The mounting space is proper, and the mounting environment is clean and tidy, without foreign objects.
2	Battery pack and inverter mounting	The battery pack and inverter are mounted correctly, securely, and reliably.
3	WiFi mounting	The WiFi module is mounted correctly, securely, and reliably.
4	Cable layout	Cables are routed properly as required by the customer.
5	Cable tie	Cable ties are secured evenly, and no burr exists.
6	Grounding	The ground cable is connected correctly, securely, and reliably.
7	Switch and breakers status	The PV switch (if there is any) and battery breakers and all the breakers connecting to the product are OFF.
8	Cable connections	The AC cables, PV cables (if there is any), battery power cables, and communication cables are connected correctly, securely, and reliably.
9	Unused power terminals	Unused power ports and communication ports are blocked by watertight caps.

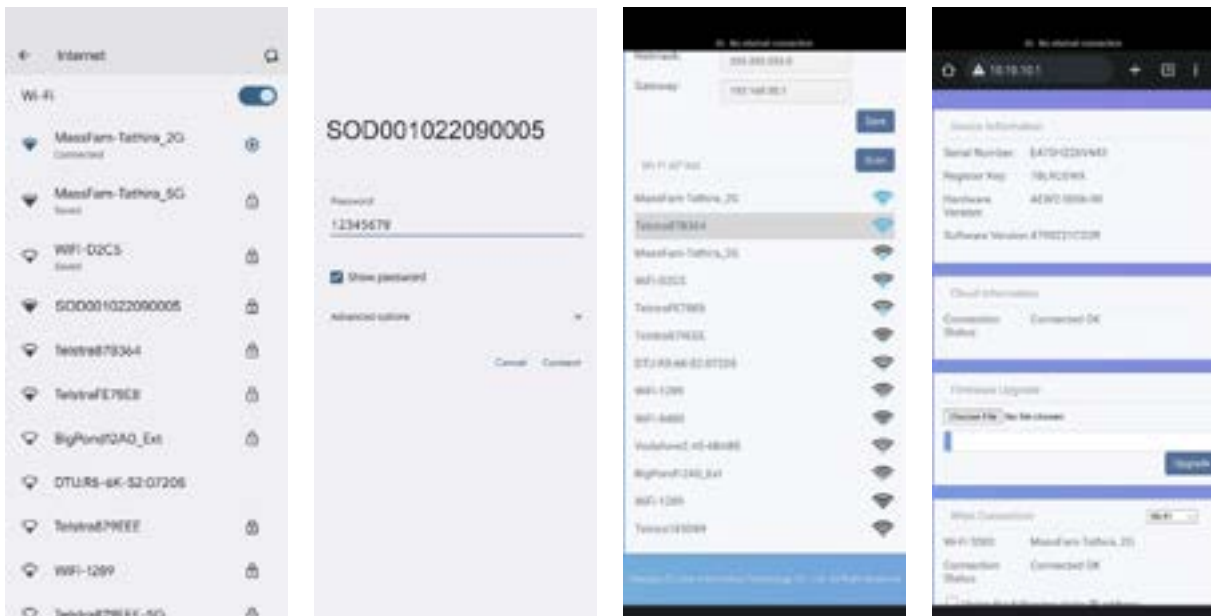
## 8.0 Set up a new System (Commissioning)

### 8.1 Connect Reserve to internet

To initiate the commissioning process for the recently installed SunPower Reserve, it is essential to establish a functional data connection which is also required for ongoing monitoring. The SunPower Reserve offers two methods of data connection: Ethernet and Wi-Fi.

If you opt for an Ethernet connection, no additional configuration is necessary. However, if you prefer a Wi-Fi connection, please adhere to the following steps to connect the system to the homeowner's Wi-Fi network:

1. On your mobile device, access the Wi-Fi settings and locate the Wi-Fi network associated with the SunPower Reserve unit. This network is identifiable by the Serial Number of the unit.
2. Connect to the Reserve unit network using the default password: 12345678.
3. Once connected, launch your mobile browser and enter the IP address of the SunPower Reserve: 10.10.10.1. This action will display a simple interface enabling the connection of the Reserve unit to the on-site Wi-Fi network.
4. Tap the ,scan' option at the bottom of the screen to search for available networks.
5. From the list of displayed networks, select the desired network to which the Reserve unit will connect, and input the corresponding Wi-Fi password.
6. Once the connection is successfully established, the interface will provide a confirmation message stating ,Connected OK.'



By following these instructions, the SunPower Reserve can be effectively connected and configured for operation.

If SunPower Reserve has for some reason lost its connection to the internet, for example if the customer changes the Wi-Fi password, the steps above will also allow customers to reset the internet connection of SunPower Reserve.

## 8.2 Download and Install the SunPower One app

1. Android device users can download the SunPower One app from Google Play.
2. iOS device users can download the SunPower One app from the Appstore



**TIP**

Commissioning tools including login details are only available to installers that have completed the necessary training modules.

## 8.3 Switch On the System and Check System Status

Please make sure the PV switch and battery breakers and all the breakers connecting to the product are ON.

## 8.4 Commissioning SunPower Reserve

Before commencing, ensure that the Reserve system is correctly installed and has a functional data connection.

Below is a summary of the steps required to successfully commission the SunPower Reserve. Please refer to the following instructions:

1. Launch the SunPower One app and log in using your SunPower One username (email) and password.
2. On the home screen, tap „start“ to initiate the commissioning process for a new system.
3. On the subsequent screen, enter the email address of the customer for whom you are installing the system. This email will be utilized to pre-configure the customer account required for logging into the SunPower One app. It is crucial to verify the accuracy of the email with the customer and ensure that they can access it on their mobile device.
4. Select the appropriate system configuration as outlined in section 3.3, and follow the app’s provided steps to complete the activation and configuration of your installation.
5. Once the Reserve setup is complete, a confirmation email will be sent to the customer. This email will contain a link to the SunPower One app, enabling the customer to activate their SunPower One account and enjoy the comprehensive SunPower One experience.

Please follow the above steps to effectively commission the SunPower Reserve system.



**CAUTION**

The safety standard/country code must be set correctly

If you select a safety standard which is not valid for your country and purpose, it can cause a disturbance in the energy storage system and lead to problems with the grid operator. When selecting the safety standard, you must always observe the locally applicable standards and directives as well as the properties of the PV system (e.g., PV system size, grid connection point). If you are not sure which safety standard is valid for your country or purpose, contact your grid operator for information on which safety standard is to be configured.



**TIP**

In step 4 of commission process, available parameters changes depending on configuration selected. It is important to check correct values are interested at this stage.

## 8.5 Check the AC backup (if available)

Switch ON an electrical appliance connected on the backup load port of the energy storage inverter.

Switch ON the AC breaker on the backup port of the energy storage inverter.

Switch OFF the external AC breaker between the grid and the energy storage inverter.

The product will enter the AC-Backup mode at once.

Check if the electrical appliance on the backup side continues to operate.



**CAUTION**

During commissioning, if the LED indicators on the display panel of the inverter show red or the LED indicators on the display panel of the battery is yellow, please refer to the troubleshooting section (9.0).

## 8.6 Instruct the End User to Install the SunPower One App

Please make sure that the home owner has downloaded the App and activated their account via the welcome email.



**TIP**

The warranty registration of the SunPower Reserve is completed when the end customer has activated their customer account.

## 9.0 Maintenance and Troubleshooting

### 9.1 Routine Maintenance

Normally, the energy storage system needs no maintenance or calibration.

However, in order to maintain the accuracy of the SOC, it is recommended the battery reach a full state of charge every two weeks otherwise the SOC can become inaccurate.

Before cleaning, ensure that the system is disconnected from all power sources. Clean the housing, cover and display panel with a soft cloth.

To ensure that the energy storage system can operate properly in the long term, it is advised to perform routine maintenance as described in this Section.

#### Maintenance checklist

Check Item	Acceptance Criteria	Maintenance Interval
Product cleanliness	The enclosure of the inverter should be free from obstacles or dust.	Once every 6 to 12 months
Product visible damage	The product should be not damaged or deformed.	Once every 6 to 12 month
Product running status	<ol style="list-style-type: none"><li>1. The product should operate without any abnormal sound.</li><li>2. All parameters of the product should be set correctly. Perform this check when the product is running.</li></ol>	Once every 6 to 12 months
Electrical connections	<ol style="list-style-type: none"><li>1. Cables should be securely connected.</li><li>2. Cables should be intact, and in particular, the cable jackets touching the metallic surface should not be scratched.</li><li>3. Unused cable glands should be blocked by rubber sealing which are secured by pressure caps.</li></ol>	Perform the first maintenance 6 months after the initial commissioning. Thereafter, perform the maintenance once every 6 to 12 months.





Risk of burns due to hot enclosure of the inverter

The enclosure of the inverter can get hot during operation.

- Do not touch any parts other than the display panel during operation.
- Wait approximately 30 minutes for the inverter to cool down before cleaning.

## 9.2 Troubleshooting

To maintain the accuracy of the SOC, it may be required to fully charge the battery. This will reset the battery's SOC.

### 9.2.1 Inverter Error Troubleshooting

The error codes can be accessed from SunPower Installer portal.

Error No.	Error description	Solution
4	Inverter_lost	<p>Inverter communication lost</p> <ol style="list-style-type: none"><li>1. Restart the system and check whether the fault has been cleared.</li><li>2. Contact the customer service to remotely update the inverter EMS and DSP program, after that confirm whether the fault continues.</li><li>3. If the fault can't be cleared, please contact the service center for further check.</li></ol>
100000	Grid_OVP	<ol style="list-style-type: none"><li>1. Check whether Grid is abnormal.</li><li>2. Confirm whether the grid cable connection is normal.</li><li>3. Restart inverter and check whether the fault is existing.</li></ol>
100001	Grid_UVP	
100002	Grid_OFP	
100003	Grid_UFP	
100005	BUS_OVP1	<p>Check whether the input voltage of PV1, PV2 and PV3 exceeds 1000 V. If the first one does not exist, restart the inverter to see if the fault still exists. If it still exists, please call the service center.</p>
100007	Insulation_fault	<ol style="list-style-type: none"><li>1. Check whether PV cable connection is reliable.</li><li>2. Check whether PV cable is damaged.</li></ol>
100008	GFCI_fault	<ol style="list-style-type: none"><li>1. Restart inverter and check whether the fault is existing.</li></ol>
100010	GFCI_fault	
100011	Over_Temperature	<ol style="list-style-type: none"><li>1. Check whether the environment around inverter is with poor heat dissipation.</li><li>2. Confirm whether inverter installation meet the installation requirements.</li></ol>

100012	PV_Reverse	<ol style="list-style-type: none"> <li>1. Check whether the PV terminal of the inverter is reversed.</li> <li>2. If the PV terminal is right, please call the service center.</li> </ol>
100013	BAT_Reverse	<ol style="list-style-type: none"> <li>1. Check whether the PV terminal of the inverter is reversed.</li> <li>2. If the PV terminal is right, please call the service center.</li> </ol>
100017	MPPT1_OVP	Check the PV1 voltage. If it exceeds 1000 VDC, reduce the number of PV modules.
100021	MPPT2_OVP	Check the PV2 voltage. If it exceeds 1000 V, reduce the number of PV modules
100025	BAT_OVP	Check whether the actual battery voltage exceeds the battery charging cut-off voltage by more than 20 V.
100026	BAT_UVP	Check whether the actual battery voltage is lower than the battery discharge cut-off voltage.
100027	Battery_lost	Confirm that the wiring is normal, and check whether the battery voltage sampling value is less than 75 V.

Error No.	Error description	Solution
100042	Output_short_circuit	<ol style="list-style-type: none"> <li>1. Use a multimeter to test the impedance of the off grid output. If it is small, check whether the wiring is correct.</li> <li>2. Restart the inverter to see if the fault still exists. If the issue still exists, please call the service center.</li> </ol>
100043	Output_overload	Check whether the load exceeds the rated power. Restart the inverter to see if the fault still exists. If it still exists, please call the service center.
100052	Backup_ovp	Restart the inverter to see if the fault still exists. If it still exists, please call the service center.
7	BMS lost	<p>BMS lost</p> <ol style="list-style-type: none"> <li>1. Check whether the BMS communication connection between the battery and the inverter is normal.</li> <li>2. Check if the battery is switched on</li> <li>3. If the fault can't be cleared, please contact the service center for further check. service center for further check.</li> </ol>
60002	Circuit_Breaker_Open	Try to switch on all batteries breakers, If the action cannot solve the problem, please contact customer service.

60004	Slave_Battery_Communication_Lost	
60006	Master_Battery_Communication_Lost	Check the communication cables between batteries
60008	Multi_Master_error	
5	Energy meter reading lost-grid side	<p>Grid side meter lost</p> <ol style="list-style-type: none"> <li>1. Check whether the system configuration parameters are correct and whether the meter is used on the grid side</li> <li>2. Check whether the communication cable of the grid meter is connected correctly (RS485: 3A6B).</li> <li>3. Check whether the communication configuration parameters of the grid meter is correct (communication address and baud rate).</li> <li>4. If the fault can't be cleared, please contact the service center for further check.</li> </ol>
6	Energy meter reading lost-PV side	<p>PV inverter side meter lost</p> <ol style="list-style-type: none"> <li>1. Check whether the system configuration parameters are correct and whether the meter is used at the PV inverter side</li> <li>2. Check whether the communication configuration parameters of the meter of PV inverter side is correct (communication address and baud rate). (RS485: 3A6B).</li> <li>3. Check whether the communication configuration parameters of the meter of PV inverter side is correct (communication address and baud rate).</li> <li>4. If the fault can't be cleared, please contact the customer service center for further check.</li> </ol>



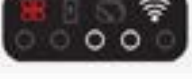
## 9.2.2 Inverter Error Description

The four LEDs in the upper row are system (SYS), battery (BAT), meter (METER), and communication (COM).

The five LEDs in the lower row are divided into two functions:

Battery SOC of all batteries in the energy storage system

When an error occurs, the corresponding error code will be displayed. From right to left, the numbers represented by each light are 1, 2, 4, 8, 16.

LED Indicator	Error Code	LED Display	Description
SYS red is fast blink	4		1. Inverter lost
SYS red light is ON; METER light flashing quickly if Grid meter lost. SYS red light is ON;	5		Grid meter lost
METER light flashing slowly if PV meter lost; METER light is OFF if all meters lost;	6		PV meter lost
SYS red light is ON, bat is off	7		1. BMS lost
Inverter is faulty, SYS red flashing quickly	100000		Grid_OVP
Inverter is faulty, SYS red flashing quickly	100001		Grid_UVP
	100002		Grid_OFP
	100003		Grid_UFP
Inverter is faulty, SYS red flashing quickly	100005		BUS_OVP1
	100007		Insulation_fault
	100008		GFCI_fault
	100010		Grid_relay_fault
	100011		Over_Temperature

	100012		PV_Reverse
	100013		BAT_Reverse
	100017		MPPT1_OVP
	100021		MPPT2_OVP
Inverter is faulty, SYS red flashing quickly	100025		BAT_OVP
	100026		BAT_UVP
	100027		Battery_lose
	100042		Output_short_circuit
	100043		IOutput_overload
	100052		Backup_ovp
SYS red light is ON, BAT light is flashing during battery is faulty.	60002		Circuit_Breaker_Open OpenCircuit Breaker_Open
	60004		Slave_Battery_Communication_Lost
	60006		Master_Battery_Communication_Lost
SYS red light is ON, BAT light is flashing during battery is faulty	60008		Multi_Master_error












**TIP**


1. The four LEDs in the first row are system (SYS), battery (BAT), meter (METER), and communication (COM);
2. The five LEDs in the second row are divided into two functions:
  - Battery SOC power display
  - When a fault occurs, the corresponding fault code will be displayed.

### 9.2.3 Battery Protection Description

The three LED indicators on the front cover provide information about the protection status of the battery.



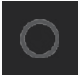
Symbol	Description
	Flashing yellow LED
	On yellow LED
	Off LED









LED Display State	Description	Troubleshooting
	Temperature difference	Wait for automatic recovery. If this protection state persists, please call service.
	High temperature	Stop discharging and charging until this protection state disappears and wait for the temperature to drop.
	Low temperature discharge	Stop discharging until this protection state disappears and wait for the temperature to rise
	Over-current charge	Wait for automatic recovery.
	Over-current discharge	If this protection state hasn't be solved, please call service.
	Cell overvoltage	Wait for automatic recovery. If this protection state persists for a long time, please call service.
	Cell under voltage	Stop discharging and call service immediately
	Low temperature charge	Stop discharging until this display state is eliminated and wait for the temperature to rise.

<b>NOTICE</b>	<p>During work mode, if the protection status “Cell under voltage”  appears, please take the following action:</p> <p>first switch off the circuit breaker which is located at the lower left of the battery, switch on the circuit breaker and wait for 3~5S, switch off the circuit breaker, then switch on the circuit breaker and wait for 3~5S, switch off the circuit breaker, at last switch on the circuit breaker of the battery. The BMS will be forced to turn on the MOSFET of discharge so that the inverter can detect the battery’s open voltage and begin charging the battery.</p>
---------------	--

### 9.2.4 Battery Error Description

The three LED indicators on the front cover provide information about the error status of the battery.

Symbol	Description
	Flashing yellow LED
	On yellow LED
	Off LED

LED Display State	Description	Troubleshooting
	Hardware error	Wait for automatic recovery.
	Hardware error	If this error persists, please call service.
	Circuit breaker open	Switch on circuit breaker after powering off the battery.
	LMU disconnect (follower)	Reconnect the BMS communication cable.
	SN missing	Please call service.
	LMU disconnect (host)	Reconnect the BMS communication cable.
	Software version inconsistent	Please call service..
	Multi host	Restart all batteries.

	MOS over temperature	Power off the battery and power on the battery after 30 minutes.
	Insulation fault	Restart battery. In case this error persists, please call service.
	Total voltage fault	Restart battery. In case this error persists, please call service.
	Precharge failure	Restart battery. In case this error persists, please call service.



## 10.0 Uninstallation & Return

### 10.1 Removing the Product

To decommission the energy storage system completely upon completion of its service life, proceed as described in this Section, detailed procedure as follows.

1. Power OFF the energy storage system by following instructions in Chapter 7.2 Shutdown procedure of the System.
2. Remove the cable cover of the inverter.  
Remove the left side plates of the batteries
3. Wait 30 minutes for the enclosure of the inverter to cool down
4. Disconnect all cables from the system, including communication cables, PV power cables, battery power cables, AC cables, and PE cables.
5. Remove the Wi-Fi Module.
6. Remove the side cover of the inverter.
7. Remove the inverter from the top of the battery.
8. Remove the right side plates of the batteries.
9. Remove the batteries.
10. If the batteries have been mounted with system base unit,  
remove the wall connection plate of battery.  
remove the wall connection plate of system base unit.  
remove the system base unit.
11. Remove the wall brackets of the batteries if there is any.

### 10.2 Packing the Product

If the original packaging is available, put the product inside it and then seal it using adhesive tape.

If the original packaging is not available, put the product inside a suitable cardboard box and seal it properly.

### 10.3 Disposing the Product

If the product service life expires, dispose of it according to the local disposal rules for electrical equipment and electronic component waste.

Dispose of the packaging and replaced parts according to the rules at the installation site where the device is installed.

Do not dispose the product with normal domestic waste.



Li-Ion



## 11.0 Technical Data

### 11.1 Datasheet of Inverter

Item	RESERVE-INV-1-P10-L3-INT
<b>Input DC (PV side)</b>	
Recommended max. PV power	20000 W
Max. PV input voltage	1000 V
Rated voltage	720 V
Start-up voltage	120 V
MPPT voltage range	140 to 950 V
Max. input current per MPPT	16 A / 16 A / 16 A
Max. short circuit current per MPPT	24 A / 24 A / 24 A
MPPT number	3
Surge category in accordance with IEC 62109-1	II
<b>Battery</b>	
Battery type	LFP (LiFePO4)
Battery voltage range	160 to 700 V
Max. charge power	10 kW
Max. discharge power	10 kW
Max. charge/ discharge current	40 A / 40 A
Communication	CAN
<b>Output AC (Back-up, On Grid)</b>	
Rated output power	10 kW
Rated apparent output power	10 kVA
Rated output current @ 230 V	14.5 A
Max. continuous output power	15 kW
Max. continuous output apparent power	15 kVA

Max. output current	21.7 A
Nominal output voltage	3L/N/PE, 380/400V
Rated frequency	50/60 Hz
<b>Output AC (Back-up)</b>	
Rated output power	10 kW
Rated apparent output power	10 kVA
Rated output current @ 230 V	14.5 A
Max. continuous output power	11 kW
Max. continuous output apparent power	11 kVA
Output power ≤ 30 s	15 kW
Output apparent power ≤ 30 s	15 kVA
Back-up switch time	<20 ms
Rated voltage	3L/N/PE, 380/400V
Rated frequency	50/60 Hz
<b>Input AC (Grid side)</b>	
Nominal output voltage	3L/N/PE, 380/400V
Rated grid frequency	50/60 Hz
Rated input power	10 kW
Max. input power	15 kW
Max. input current	21.7 A
<b>Output AC (Grid side)</b>	
Rated output power	10 kW
Rated apparent output power	10 kVA
Rated output current @ 230 V	14.5 A
Operation phase	Three phase
Nominal grid voltage	3L/N/PE, 380/400V
AC voltage range	150 to 288 V
Rated grid frequency	50 / 60 Hz

Power factor	>0.99 (0.8 leading to 0.8 lagging)
Protection class	I
Overvoltage category	III
Surge category in accordance with IEC 60664-1	II
<b>Efficiency</b>	
Max. efficiency, $\eta_{\max}$	98.0%
European weighted efficiency, $\eta_{\text{EU}}$	97.2%
<b>Protection</b>	
Anti-Islanding protection	Integrated
Insulation resistor detection	Integrated
Residual current monitoring unit	Integrated
Output over current protection	Integrated
Output short protection	Integrated
Output overvoltage protection	Integrated
PV reverse polarity protection	Integrated
PV overvoltage protection	Integrated
PV switch	Integrated
Battery breaker	Integrated
<b>General data</b>	
Dimensions (W*H*D)	610*416*212.5 mm
Weight	29 kg
Topology	Transformer less
Operation temperature range	-25°C to +60°C
Max. permissible value for relative humidity (condensing)	100%
Ingress protection	IP65
Display	LED
Noise emission	<30 dB(A) @1m

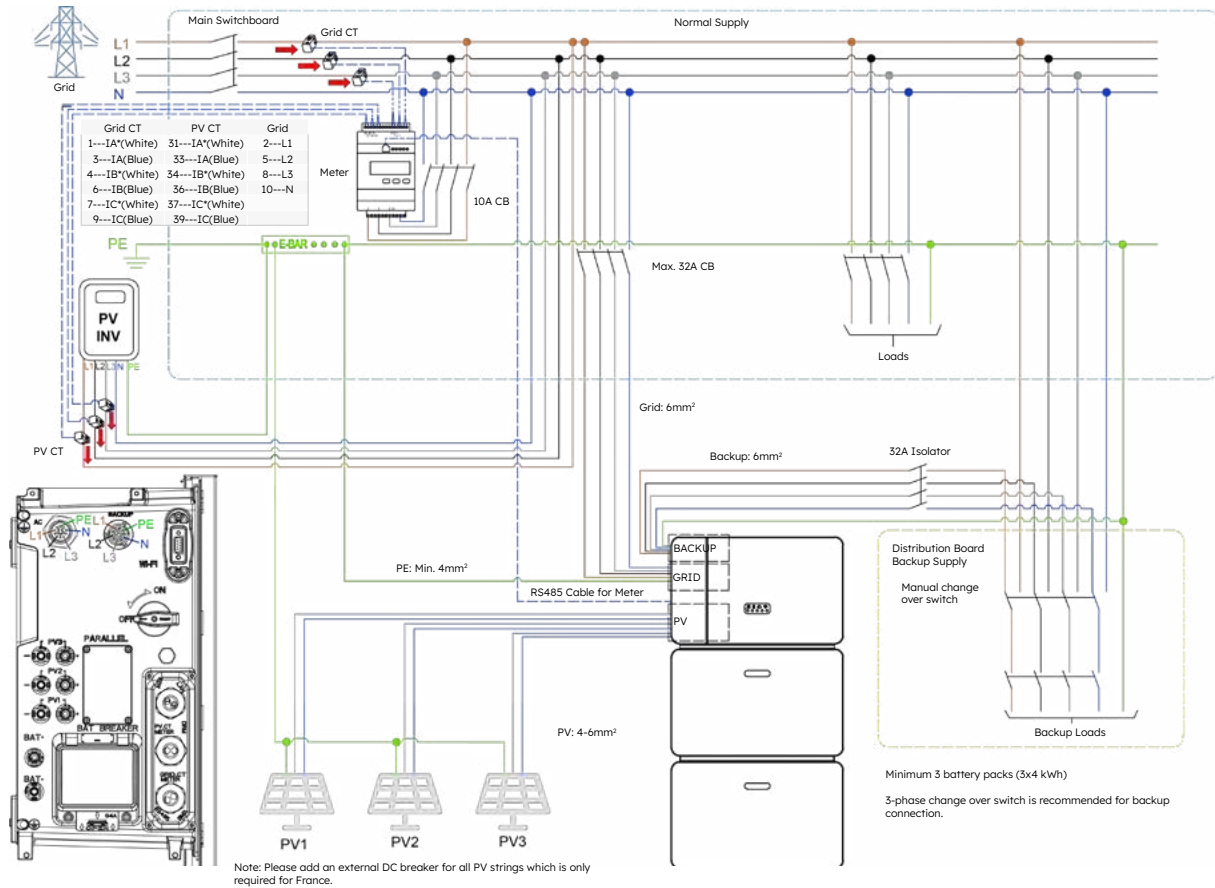
Cooling concept	Natural convection
Max. operating altitude above MSL	3000 m
<b>Features</b>	
PV connection	MC4 connectors
Grid connection	Plug in connector
Backup connection	Plug in connector
BAT connection	Amphenol H4 connectors
Communication	LAN, Wi-Fi, RS485

## 11.2 Datasheet of Battery

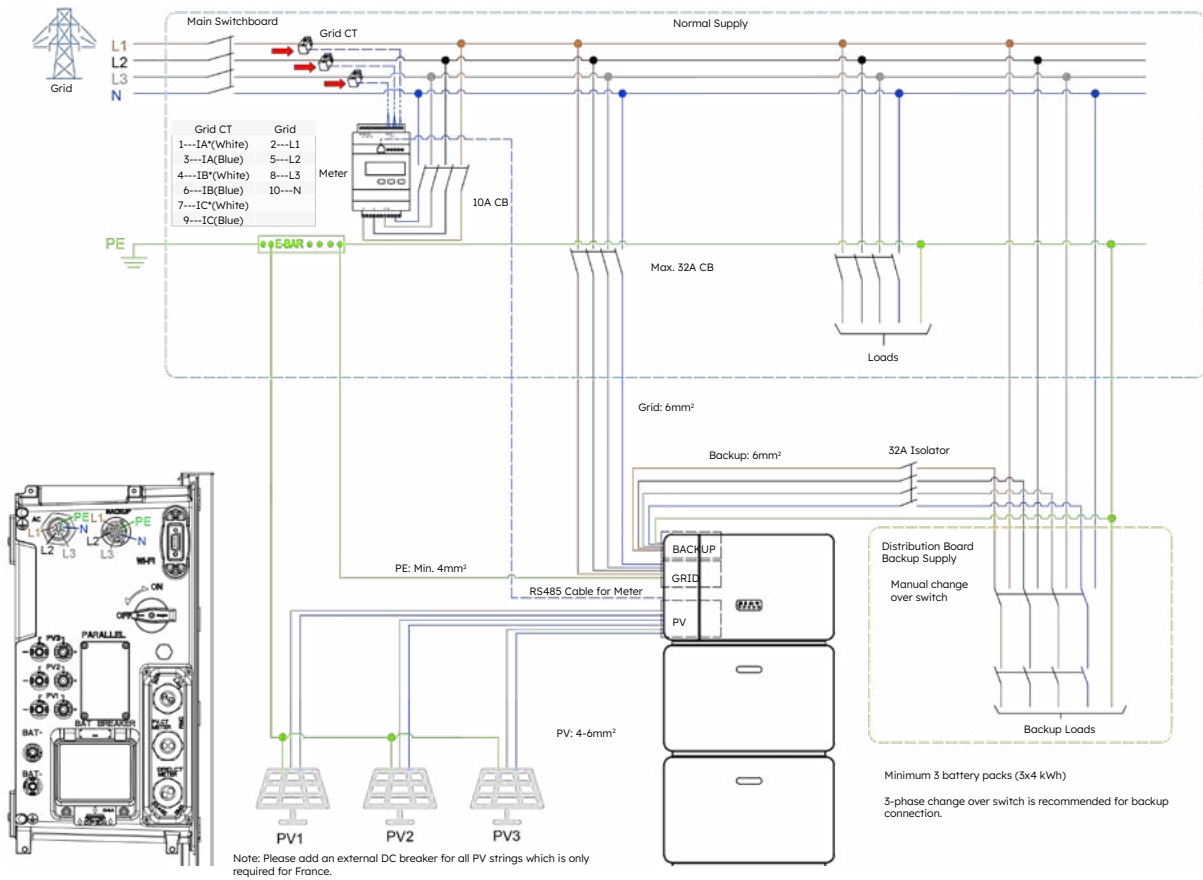
Item	RESERVE-BAT-1-DC-4-INT
<b>General Data</b>	
Battery type	LFP (LiFePO4)
Weight	44 kg
Dimension (W*H*D)	610*451*212.5 mm
Ingress protection	IP65
Installed energy	4.0 kWh
Usable energy	3.8 kWh
DoD	95%
Nominal voltage	96 V
Operating voltage range	90 to 108 V
Max. charge current*	42 A
Max. discharge current*	42 A
Operating temperature range	Charge : 0°C<T≤50°C Discharge : -10°C<T≤50°C
Monitoring parameters	System voltage, current, cell voltage, cell temperature
BMS communication	CAN
<b>System</b>	
Safety	IEC62619 / IEC63056 / IEC62040
Transportation	UN38.3

## 12.0 Appendix 1: System Wiring Diagram

### 12.1 3-phase Reserve including change over switch, hybrid coupled with 3-phase PV inverter and energy meter (EU)



## 12.2 3-phase Reserve, DC coupled and Energy meter (EU)





## 13.0 Appendix 2: Regional Application Standard

Please check with your local grid company and choose the correspond Regional Application Standard, the power quality modes Volt-VAR and Volt-Watt will be running automatically. (Only for regions with AS/NZW 4777.2 safety regulations).

Country (DNSP)	Safety standard	Region Setting
Ausgrid, Ausnet, Citipower, Endeavour Energy, Energex, Ergon, Essential Energy, Evoenergy, Jemena, SA Power Networks, PowerCor, United Energy	AS/NZS 4777.2: 2020	Australia A
Western Power	AS/NZS 4777.2: 2020	Australia B
Horizon Power and TasNetworks	AS/NZS 4777.2: 2020	Australia C
New Zealand	AS/NZS 4777.2: 2020	New Zealand
Germany	VDE4105/11.18	Germany
Italy	CEI 0-21	Italy
Spain	RD1699/UNE	Spain
Belgium	C10/C11	Belgium
Netherlands	EN50549	Netherlands
France	EN50549	France
Austria	TOR25	Austria

# SunPower Reserve Energiespeichersystem für Eigenheime



## Sicherheits- und Installationsanweisungen für SunPower Reserve 3 Phasen

552687 Revision B  
Veröffentlicht im Juni 2024

Dieses Dokument gilt für die Installation des dreiphasigen Energiespeichersystems SunPower Reserve einschließlich:

- Wechselrichter: RESERVE-INV-1-P10-L3-INT
- Akku: RESERVE-BAT-1-DC-4-INT
- Stromzähler: CHINT-DTSU666-AC-L3-INT

In diesem Dokument werden die Montage, Installation, Inbetriebnahme und Konfiguration sowie der Betrieb, die Problembeseitigung und die Außerbetriebnahme der Produkte beschrieben. Des Weiteren wird die Funktionsweise der Benutzeroberfläche des Produkts erläutert. Die beiliegende Dokumentation ist ein integraler Bestandteil dieses Produkts. Bewahre die Dokumentation an einem geeigneten Ort zum späteren Nachschlagen auf und befolge alle Anweisungen.

Die Abbildungen in diesem Dokument beschränken sich auf die wesentlichen Informationen und können vom tatsächlichen Produkt abweichen.



Die neueste Version findest du hier:  
[www.sunpower.maxeon.com/int/InstallGuideReserve3P](http://www.sunpower.maxeon.com/int/InstallGuideReserve3P)  
Kurzfristige inhaltliche Änderungen vorbehalten  
Maxeon Solar Technologies  
[sunpower.maxeon.com/de/](http://sunpower.maxeon.com/de/)

<b>1.0</b>	<b>Einleitung</b>	<b>86</b>
1.1	Haftungsausschluss	86
1.2	Open-Source-Lizenz	86
1.3	Hinweisstufen	86
1.4	Definition von Abkürzungen und Begriffen	87
<b>2.0</b>	<b>Sicherheit</b>	<b>88</b>
2.1	Verwendungszweck	88
2.2	Sicherheitshinweise für den Akku	88
2.2.1	Allgemeine Sicherheitsvorkehrungen	88
2.2.2	Reaktion in Notfallsituationen	89
2.3	Wichtige Sicherheitshinweise	90
2.4	Erklärung der Symbole	92
<b>3.0</b>	<b>Einführung in das Produkt und Anwendungsszenarien</b>	<b>94</b>
3.1	Äußere Teile des Systems	94
3.2	Beschreibung des Wechselrichters	95
3.2.1	Einführung in die elektrische Schnittstelle des Wechselrichters	95
3.2.2	Oberfläche des Displays des Wechselrichters	96
3.3	Beschreibung des Akkus	98
3.3.1	Einführung in die elektrische Schnittstelle des Akkus	98
3.3.2	Einführung in die Akku-Anzeige	99
3.4	Anwendungsszenarien	100
3.4.1	DC-gekoppeltes Speichersystem	100
3.4.2	AC-gekoppeltes Speichersystem	101
3.4.3	Hybridgekoppeltes Speichersystem	101
<b>4.0</b>	<b>Lagerung und Transport</b>	<b>102</b>
4.1	Stromspeicher	102
4.2	Transport	103
<b>5.0</b>	<b>Montage</b>	<b>103</b>
5.1	Prüfung der äußeren Verpackung	103
5.2	Lieferumfang	103
5.3	Mitgelieferte Komponenten	103
5.4	Vorbereitung der Werkzeuge und Instrumente	105
5.5	Voraussetzungen für die Montage	106
5.6	Montage des Energiespeichersystems	109
5.6.1	Montage des Akkus mit Wandhalterung	109
5.6.2	Anleitung zur Demontage des Akkus:	112
5.6.3	Montage des Akkus mit der Bodenhalterung	113
5.6.4	Montage des Wechselrichters am Akku	117
5.6.5	Montage des Wechselrichters an einer Wandhalterung	118
5.6.6	Akku-Montage für Battery-Ready-Anwendung	119
5.6.7	Montage des WLAN-Moduls	121

<b>6.0</b>	<b>Elektrischer Anschluss</b>	<b>122</b>
6.1	Kabelanforderungen (nicht enthalten)	122
6.2	Erdungsanschluss	122
6.3	Wechselstrom-Anschluss	123
6.3.1	Voraussetzungen für den Wechselstrom-Anschluss	123
6.3.2	Auswahl eines geeigneten AC-Schutzschalters	124
6.3.3	Netz- und Backup-Anschluss	125
6.3.4	Anschluss des Stromzählers	127
6.3.4.1	Werte des Stromzählers	127
6.3.4.2	Zählerverkabelung	127
6.3.4.3	Konfiguration des Stromzählers	128
6.4	Anschluss an PV-Anlage	129
6.5	Elektrische Verbindung zwischen den Akkus	131
6.6	Elektrische Verbindung zwischen Wechselrichter und RESERVE-BAT-1-DC-4-INT	133
6.6.1	Erdungsanschluss zwischen INV und erster BAT	134
6.6.2	Stromverbindung zwischen INV und BAT	134
6.6.3	Kommunikationsverbindung zwischen INV und BAT	135
6.7	Andere Kommunikationsverbindung mit dem Wechselrichter	135
6.8	Montageabdeckungen für Wechselrichter und Akku	137
6.8.1	Seitenverkleidungen des Akkus montieren	138
6.8.2	Montage des Silikonstopfens und der Kunststoffschnalle oben am Akku	138
6.8.3	Montage der Wechselrichterabdeckungen	138
<b>7.0</b>	<b>Vorgehensweise zum Hoch- und Herunterfahren</b>	<b>139</b>
7.1	Vorgehensweise zum Hochfahren	139
7.2	Vorgehensweise zum Herunterfahren	139
7.3	Prüfungen vor dem Hochfahren	140
<b>8.0</b>	<b>Einrichtung eines neuen Systems (Inbetriebnahme)</b>	<b>141</b>
8.1	Verbindung des Reserve-Systems mit dem Internet	141
8.2	Herunterladen und Installieren der SunPower One-App	142
8.3	Einschalten des Systems und Überprüfung des Systemstatus	142
8.4	Inbetriebnahme des SunPower Reserve-Systems	142
8.5	Überprüfung der AC-Backup-Versorgung (falls verfügbar)	143
8.6	Unterstützung des Endbenutzers bei der Installation der SunPower One-App	143
<b>9.0</b>	<b>Wartung und Problembehebung</b>	<b>144</b>
9.1	Rutinemäßige Wartungsarbeiten	144
9.2	Problembehebung	145
9.2.1	Problembehebung für den Wechselrichter	145
9.2.2	Fehlerbeschreibung für den Wechselrichter	148
9.2.3	Beschreibung des Akku-Schutzes	150
9.2.4	Fehlerbeschreibung für den Akku	151
<b>10.0</b>	<b>Demontage und Rücksendung</b>	<b>153</b>

10.1	Abbauen des Produkts . . . . .	153
10.2	Verpacken des Produkts . . . . .	153
10.3	Entsorgen des Produkts . . . . .	153
<b>11.0</b>	<b>Technische Daten . . . . .</b>	<b>154</b>
11.1	Datenblatt des Wechselrichters. . . . .	154
11.2	Datenblatt des Akkus . . . . .	158
<b>12.0</b>	<b>Anhang 1: Systemschaltplan. . . . .</b>	<b>159</b>
12.1	Reserve 3-phasig mit Umschalter, hybrid gekoppelt mit 3-phasigem PV-Wechselrichter und Energiezähler (EU). . . . .	159
12.2	Reserve 3-phasig, DC-gekoppelt mit Energiezähler (EU) . . . . .	160
<b>13.0</b>	<b>Anhang 2: Regionale Anwendungsnormen . . . . .</b>	<b>161</b>

# 1.0 Einleitung

## 1.1 Haftungsausschluss

Dieses Dokument richtet sich an qualifiziertes Personal und Endbenutzer.

Arbeiten, die mit dem Symbol GEFÄHR oder ACHTUNG gekennzeichnet sind, dürfen nur von qualifiziertem Personal durchgeführt werden. Endbenutzer ohne besondere Qualifikationen können alle nicht markierten Aufgaben ausführen.

Von qualifiziertem Personal zu erfüllende Voraussetzungen:




- Kenntnis über Funktionsweise und Betrieb eines Wechselrichters
- Kenntnis über Funktionsweise und Betrieb von Akkus
- Schulung über den Umgang mit Gefahren und Risiken bei der Installation, Reparatur und Nutzung von elektrischen Geräten, Akkus und Anlagen
- Schulung über die Installation und Inbetriebnahme von Elektrogeräten und elektrischen Anlagen
- Kenntnis der geltenden Gesetze, Normen und Richtlinien im Gebiet der Installation
- Kenntnis und Einhaltung dieses Dokuments, einschließlich aller Sicherheitsvorkehrungen
- Kenntnis und Einhaltung der Dokumente des Herstellers des Akkus, einschließlich aller Sicherheitsvorkehrungen

## 1.2 Open-Source-Lizenz

Dieses Produkt enthält Open-Source-Software, die von Dritten entwickelt wurde und mit Instrumenten wie GPL und/oder LGPL lizenziert ist. Weitere Einzelheiten sowie eine Liste der genutzten Open-Source-Software und der entsprechenden Lizenztexte befinden sich im Abschnitt über Lizenzen in unserer SunPower-App und auf der Maxeon-Website (<https://corp.maxeon.com/legal>).

## 1.3 Hinweisstufen

Beim Umgang mit dem Produkt können die folgenden Hinweisstufen auftreten:

 <b>GEFÄHR</b>	Dieses Zeichen weist auf eine gefährliche Situation hin, die, wenn sie nicht vermieden wird, zum Tod oder zu schwerwiegenden Verletzungen führen kann.
 <b>VORSICHT</b>	Dieses Zeichen weist auf eine Situation hin, die, wenn sie nicht vermieden wird, zu Sachschäden und/oder leichten bis mittelschweren Verletzungen führen kann.
 <b>TIPP</b>	Mit diesem Zeichen sind hilfreiche Informationen für die Installation und den Betrieb des Produkts gekennzeichnet.

## 1.4 Definition von Abkürzungen und Begriffen

Abkürzung	Beschreibung
AC	Wechselstrom (Alternating Current)
AUX	Hilfskomponente (Auxiliary)
BAT	Batterie bzw. Akku
BMS	Batterie-Management-System
CT	Stromwandler (Current Transformer)
DC	Gleichstrom (Direct Current)
DNSP	Anbieter verteilter Netzwerkdienste (Distributed Network Service Provider)
DRM	Demand Response Mode (australischer Standard)
RRCR	Radio Ripple Control Receiver
EMS	Energie-Management-System
INV	Wechselrichter
LED	Leuchtdiode
PV	Photovoltaik
SOC	Ladezustand (State of Charge)

## 2.0 Sicherheit

### 2.1 Verwendungszweck

Produkt(e)	Verwendungszweck und Installationsvoraussetzungen
<b>SunPower Reserve-System inklusive:</b> <ul style="list-style-type: none"><li>• <b>RESERVE-INV-1-P10-L3-INT</b></li><li>• <b>RESERVE-BAT-1-DC-4-INT</b></li><li>• <b>CHINT-DTSU666-AC-L3-INT</b></li></ul>	<p>Das SunPower Reserve-System ist für die Installation in Wohnhäusern zur Optimierung des Eigenverbrauchs vorgesehen.</p> <p>Es eignet sich für die Innen- und Außenmontage.</p> <p>Alle Komponenten müssen in einem für ihren Betrieb geeigneten Szenario eingesetzt werden. Jede andere als die in diesem Abschnitt beschriebene Verwendung des Produkts gilt als unsachgemäß. Es muss sichergestellt werden, dass dieses Produkt gemäß den Angaben in den Begleitdokumenten und in Übereinstimmung mit den vor Ort geltenden Normen und Gesetzen eingesetzt wird.</p> <p>Jeder davon abweichender Einsatz kann Personen- oder Sachschäden verursachen. Modifizierungen am Produkt wie Änderungen oder Umbauten sind nur mit ausdrücklicher schriftlicher Genehmigung von Maxeon Solar Technologies zulässig.</p> <p>Nicht genehmigte Modifizierungen haben das Erlöschen von Garantie- und Gewährleistungsansprüchen zur Folge. Maxeon Solar Technologies haftet nicht für Schäden, die durch derartige Modifizierungen hervorgerufen werden.</p> <p>Das Typenschild muss dauerhaft am Produkt angebracht bleiben.</p> <p>Dieses Dokument ist integraler Bestandteil dieses Produkts. Es ist an einem geeigneten Ort aufzubewahren, um es später konsultieren zu können und um die Einhaltung aller darin erwähnten Anweisungen sicherzustellen.</p>
<b>WECHSELRICHTER:</b> <b>RESERVE-INV-1-P10-L3-INT</b>	<p>Der Wechselrichter dient zur bidirektionalen Übertragung zwischen Wechselstrom und Gleichstrom.</p>
<b>AKKU:</b> <b>RESERVE-BAT-1-DC-4-INT</b>	<p>Er darf nur mit PV-Modulfeldern der Schutzklasse II nach IEC 61730, Anwendungsklasse A, betrieben werden. Die Kopplungskapazität der PV-Module darf 1,0 µF nicht überschreiten.</p>

## 2.2 Sicherheitshinweise für den Akku

### 2.2.1 Allgemeine Sicherheitsvorkehrungen

Bevor du mit der Installation des Energiespeichersystems SunPower Reserve oder eines Teils davon beginnst, lies bitte die Sicherheits- und Installationsanweisungen vollständig durch. Wenn gleichzeitig mit der SunPower Reserve Einheit noch weitere Hardware installiert wird (beispielsweise ein Backup-Gerät oder eine separate AC-gekoppelte PV-Anlage), lies bitte das Installationshandbuch für jede Komponente und jedes System, bevor du irgendetwas davon installierst. Die Installation eines Geräts kann eine Gefahrenquelle bei der Installation eines anderen Geräts darstellen – lies unbedingt sämtliche Handbücher, um Wechselwirkungen und Sicherheitsaspekte der kombinierten Systeme zu verstehen.

1. Überspannung oder eine falsche Verkabelung können den Akku beschädigen und Verpuffungen verursachen, die extrem gefährlich sein können.
2. Alle Arten von Akku-Defekten können zum Austritt von Elektrolyt oder brennbarem Gas führen.
3. Das Akku-Pack darf nicht vom Benutzer gewartet werden. Das Gerät weist eine hohe Spannung auf.




4. Lies das Etikett mit Warnsymbolen und Vorsichtsmaßnahmen auf der rechten Seite des Akkus.
5. Wechselstrom- oder PV-Leiter dürfen nicht direkt an den Akku angeschlossen werden. Sie dürfen nur an den Wechselrichter angeschlossen werden.
6. Ein defekter Akku darf weder entladen noch aufgeladen werden.
7. Der Akku darf nicht beschädigt werden, indem er fallen gelassen, verformt, eingeschlagen, aufgeschnitten oder ein scharfer Gegenstand darin eingeführt wird. Schäden am Akku können zum Austritt von Elektrolyt oder zu einem Brand führen.
8. Der Akku darf nicht mit offenem Feuer in Berührung kommen.

## 2.2.2 Reaktion in Notfallsituationen

Das Akku-Pack ist so konstruiert, dass die Gefahr einer Fehlfunktion vermieden wird.

Entferne bei einem Unfall an Land die Gegenstände vom beschädigten Akku-Pack und trenne sie, falls möglich. Rufe anschließend die örtliche Feuerwehr oder einen Servicetechniker.




Bleibe bei einem Unfall mit Wasser außerhalb des Wassers. Vermeide die Berührung mit dem Wasser, wenn ein Teil des Akkus, des Wechselrichters oder der Verkabelung unter Wasser getaucht sind. Nimm den Akku nicht mehr in Betrieb und wende dich an den technischen Support.

Produkt(e)	Verwendungszweck und Installationsvoraussetzungen
<p><b>Wenn der Akku beschädigt ist und der Benutzer das innere Material der Batteriezellen berührt</b></p>	<ol style="list-style-type: none"> <li>1. <b>Bei Einatmen:</b> Verlasse den kontaminierten Bereich sofort und suche unverzüglich einen Arzt auf.</li> <li>2. <b>Bei einer Verletzung der Augen:</b> Spüle die Augen 15 Minuten lang mit fließendem Wasser aus und suche unverzüglich einen Arzt auf.</li> <li>3. <b>Bei Hautverletzungen:</b> Wasche den Bereich, der mit dem Material in Berührung gekommen ist, gründlich mit Seife und suche unverzüglich einen Arzt auf.</li> <li>4. <b>Bei Verschlucken:</b> Versuche den Gegenstand (gegebenenfalls durch Erbrechen) herauszuwürgen und suche unverzüglich einen Arzt auf.</li> </ol>
<p><b>Bei einem Brand am Ort der Installation des Akkus</b></p>	<p><b>Du benötigst:</b></p> <ul style="list-style-type: none"> <li>• FM-200-, CO<sup>2</sup>- oder einen anderen geeigneten Feuerlöscher für das Feuer am Akku.</li> <li>• Für andere Gegenstände, die nicht mit dem Akku in Berührung kommen, kann auch ein ABC-Feuerlöscher verwendet werden.</li> </ul> <p><b>Verhaltensweise:</b></p> <ol style="list-style-type: none"> <li>1. Wenn ein Brand beim Laden des Akkus entsteht, schalte den Ladestrom über den Schutzschalter des Akku-Packs aus, sofern dies gefahrlos möglich ist.</li> <li>2. Wenn das Akku-Pack noch nicht brennt, lösche das Feuer, bevor das Akku-Pack Feuer fängt.</li> <li>3. Falls das Akku-Pack bereits brennt, versuche nicht, es zu löschen, sondern evakuieren den Raum schnellstmöglich.</li> </ol>
<p> <b>Wenn das Akku-Pack in Flammen steht</b></p>	<p>Wenn Akkus über 150 °C erhitzt werden, kann es zu einer Explosion kommen. Wenn das Akku-Pack brennt, entweichen giftige Gase. Halte dich fern.</p>

## 2.3 Wichtige Sicherheitshinweise







Hochrisiko-Situationen	Empfohlene Aktionen
 <p><b>Lebensgefahr durch Stromschlag bei Berührung von spannungsführenden Bauteilen oder Leitungen</b></p>	<p>An den leitenden Bauteilen oder Kabeln des Wechselrichters liegt eine hohe Spannung an. Die Berührung von stromführenden Teilen und Kabeln kann zum Tod oder zu tödlichen Verletzungen durch Stromschlag führen.</p> <ul style="list-style-type: none"> <li>• Berühre unter keinen Umständen Teile oder Kabel ohne Isolierung.</li> <li>• Trenne das Produkt von Spannungsquellen und treffe vor der Durchführung etwaiger Arbeiten am Wechselrichter oder Akku-Pack Vorkehrungen dafür, dass es nicht wieder angeschlossen werden kann.</li> <li>• Warte nach dem Abschalten fünf Minuten, bis sich die Kondensatoren im Wechselrichter entladen haben.</li> <li>• Öffne das Produkt nicht.</li> <li>• Trage bei allen Arbeiten am Produkt geeignete persönliche Schutzausrüstung.</li> </ul>
 <p><b>Lebensgefahr durch gefährliche Spannungen im Akku-Pack</b></p>	<p>An der Steckverbindung für das Stromkabel liegt eine gefährliche Spannung an. Eine Berührung der Steckverbindung des Netzkabels kann zu einem tödlichen Stromschlag führen.</p> <ul style="list-style-type: none"> <li>• Das Akku-Pack darf unter keinen Umständen geöffnet werden.</li> <li>• Wische nicht mit einem feuchten Tuch über das Akku-Pack.</li> <li>• Belasse die Schutzkappen an den Steckverbindungen für den Akku-Stromanschluss, bis die Wechselrichterkabel mit dem Akkupack verbunden sind. Trenne das System von Spannungsquellen und triff vor der Durchführung etwaiger Arbeiten am Wechselrichter oder Akku-Pack Vorkehrungen dafür, dass es nicht wieder angeschlossen werden kann.</li> </ul>
 <p><b>Lebensgefahr durch Stromschlag bei Berührung des ungeerdeten Rahmens eines PV-Moduls oder -Modulfelds</b></p>	<ul style="list-style-type: none"> <li>• Die Berührung des nicht geerdeten Rahmens eines PV-Moduls oder -Modulfelds kann zum Tod oder zu tödlichen Verletzungen durch Stromschlag führen.</li> <li>• Der Rahmen der PV-Module, der Rahmen des Modulfelds und die elektrisch leitenden Flächen müssen so verbunden und geerdet werden, dass eine durchgängige Ableitung gegeben ist.</li> <li>• Die geltenden örtlichen Vorschriften sind einzuhalten.</li> </ul>
 <p><b>Lebensgefahr durch Stromschlag bei Berührung von spannungsführenden Bauteilen oder PV-Leitungen</b></p>	<p>Wenn PV-Module Sonnenlicht ausgesetzt sind, erzeugt das PV-Modulfeld eine hohe Gleichspannung, die in den Gleichstromleitern anliegt.</p> <p>Die Berührung der stromführenden Gleichstromkabel kann zum Tod oder zu tödlichen Verletzungen durch Stromschlag führen.</p> <ul style="list-style-type: none"> <li>• Trenne den Wechselrichter von Spannungsquellen und triff vor der Durchführung etwaiger Arbeiten am Gerät Vorkehrungen dafür, dass er nicht wieder angeschlossen werden kann.</li> <li>• Berühre unter keinen Umständen Teile oder Kabel ohne Isolierung.</li> <li>• Trenne die DC-Steckverbinder nicht unter Last.</li> <li>• Trage bei allen Arbeiten am Wechselrichter geeignete persönliche Schutzausrüstung.</li> </ul>

Hochrisiko-Situationen	Empfohlene Aktionen
 <p><b>Lebensgefahr durch Stromschlag bei Berührung von spannungsführenden Systemkomponenten bei einem Erdschluss</b></p>	<p>Bei einem Erdschluss können Teile des Systems noch Spannung führen. Die Berührung von stromführenden Teilen und Kabeln kann zum Tod oder zu tödlichen Verletzungen durch Stromschlag führen.</p> <ul style="list-style-type: none"> <li>• Trenne das Produkt von Spannungsquellen und triff vor der Durchführung etwaiger Arbeiten am Gerät Vorkehrungen dafür, dass es nicht wieder angeschlossen werden kann.</li> <li>• Berühre die Kabel des PV-Modulfelds nur an der Isolierung.</li> <li>• Berühre keine Teile der Unterkonstruktion oder des Rahmens des PV-Modulfelds.</li> <li>• Schließe mit Erdschluss behaftete PV-Stränge unter keinen Umständen an den Wechselrichter an.</li> </ul>
 <p><b>Gefahr von Verätzungen durch Elektrolyt oder giftige Gase</b></p>	<p>Während des normalen Betriebs tritt aus dem Akku-Pack kein Elektrolyt aus, und es bilden sich auch keine giftigen Gase. Trotz der sorgfältigen Konstruktion kann nicht ausgeschlossen werden, dass bei einer Beschädigung des Akkus oder einer Fehlfunktion Elektrolyt ausläuft oder sich giftige Gase bilden.</p> <ul style="list-style-type: none"> <li>• Das Akku-Pack muss an einem kühlen und trockenen Ort gelagert werden.</li> <li>• Zudem darf das Akku-Pack nicht fallen gelassen oder durch scharfe Gegenstände beschädigt werden.</li> <li>• Das Akku-Pack sollte nur auf der Rück- oder Vorderseite abgelegt werden.</li> <li>• Das Akku-Pack darf unter keinen Umständen geöffnet werden.</li> <li>• Das Akku-Pack darf nicht in einer explosionsgefährdeten Umgebung oder in Bereichen mit hoher Luftfeuchtigkeit aufgestellt oder in Betrieb genommen werden.</li> <li>• Wenn Feuchtigkeit in den Akku eindringt (z. B. durch ein beschädigtes Gehäuse), darf dieser nicht mehr installiert oder betrieben werden.</li> <li>• Spüle bei Kontakt mit Elektrolyt die betroffenen Stellen sofort mit Wasser ab und suche unverzüglich einen Arzt auf.</li> </ul>

Situationen, in denen Vorsicht geboten ist	Verwendungszweck und Installationsvoraussetzungen
 <p><b>Verbrennungsgefahr durch heißen Kühlkörper und heißes Gehäuse</b></p>	<p>Gehäuse und Abdeckung des Wechselrichters können im Betrieb heiß werden. Während des Betriebs darf der Wechselrichter ausschließlich an der Abdeckung berührt werden.</p>
 <p><b>Beschädigung des Wechselrichters durch elektrostatische Entladung</b></p>	<ul style="list-style-type: none"> <li>• Die Berührung von elektronischen Bauteilen kann den Wechselrichter und Akku durch elektrostatische Entladung beschädigen oder zerstören.</li> <li>• Daher ist es wichtig, sich zu erden, bevor man ein Bauteil berührt.</li> </ul>
 <p><b>Beschädigung durch Reinigungsmittel</b></p>	<ul style="list-style-type: none"> <li>• Die Verwendung von Reinigungsmitteln kann zu Schäden am Energiespeichersystem und seinen Komponenten führen.</li> <li>• Die Anlage und ihre Komponenten dürfen lediglich mit einem mit klarem Wasser angefeuchteten Tuch gereinigt werden.</li> </ul>

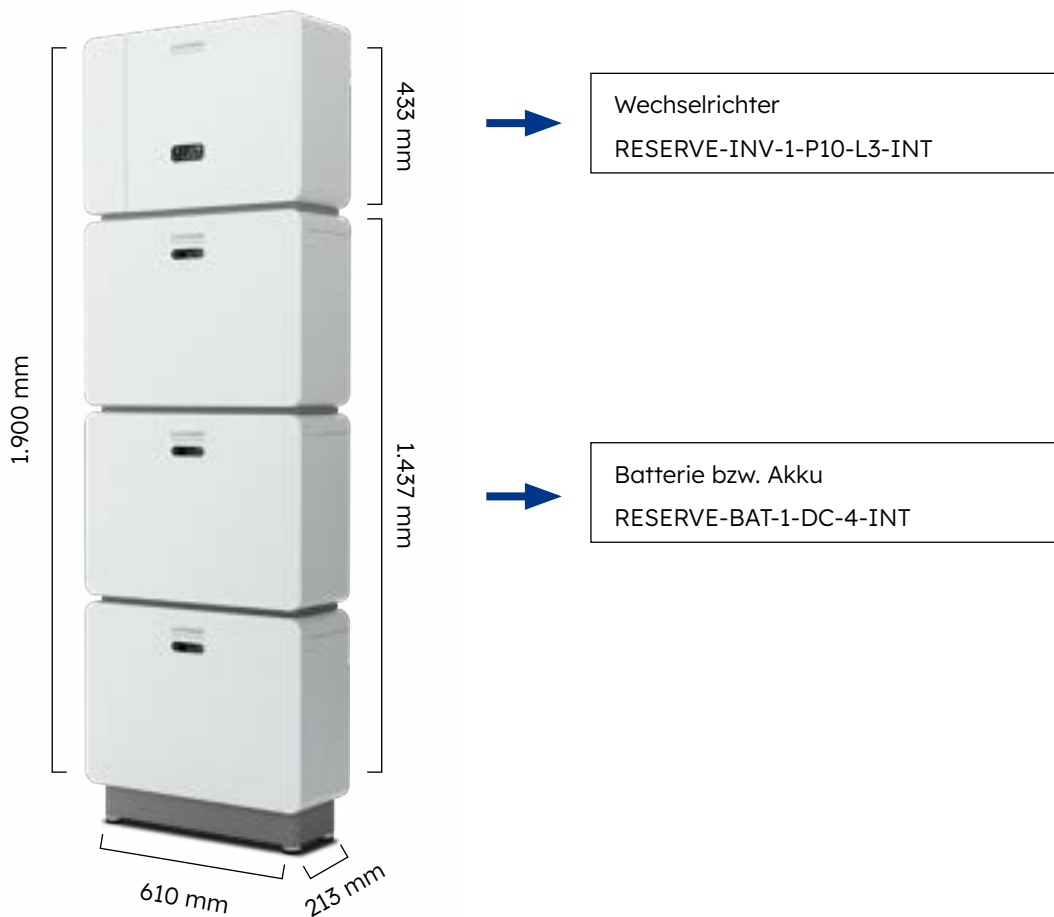
## 2.4 Erklärung der Symbole

Symbole am Wechselrichter	Erklärung
	Vorsicht, Gefahrenzone! Dieses Symbol zeigt an, dass der Wechselrichter zusätzlich geerdet werden muss, wenn am Aufstellort eine zusätzliche Erdung oder ein Potentialausgleich erforderlich ist.
	Vorsicht, elektrische Spannung! Im Produkt liegen hohe Spannungen vor.
	Vorsicht, heiße Oberfläche! Das Produkt kann im Betrieb heiß werden.
 	Lebensgefahr aufgrund von Hochspannung im Wechselrichter, es wird dringend empfohlen, eine Wartezeit von fünf Minuten einzuhalten. Trenne den Wechselrichter, wie in diesem Dokument beschrieben, vor der Durchführung etwaiger Arbeiten von allen Spannungsquellen.
	WEEE-Kennzeichnung Das Produkt gehört nicht in den Hausmüll, sondern muss gemäß den am Installationsort geltenden Entsorgungsvorschriften für Elektroschrott entsorgt werden.
	Bitte die Dokumentation beachten!
	CE-Kennzeichnung Das Produkt entspricht den Anforderungen der geltenden EU-Richtlinien.
	Zertifizierte Sicherheit Das Produkt wurde vom TÜV getestet und entspricht den Anforderungen des Geräte- und Produktsicherheitsgesetzes der EU.
	RCM-Kennzeichen (Regulatory Compliance Mark) Das Produkt entspricht den Anforderungen der geltenden australischen Normen.
	UKCA-Kennzeichen Das Produkt entspricht den Anforderungen der geltenden Gesetze von England, Wales und Schottland.
	RoHS-Kennzeichen Das Produkt entspricht den Anforderungen der geltenden EU-Richtlinien.

Symbole am Akku	Erklärung
	<p>Vorsicht, Gefahrenzone!</p> <p>Dieses Symbol zeigt an, dass das Akku-Pack zusätzlich geerdet werden muss, wenn am Aufstellort eine zusätzliche Erdung oder ein Potentialausgleich erforderlich ist.</p>
	<p>Verätzungsgefahr</p>
	<p>Explosionsgefahr</p>
	<p>Bitte die Dokumentation beachten!</p>
	<p>Gefahr des Auslaufens von Elektrolyten</p>
	<p>CE-Kennzeichnung</p> <p>Das Produkt entspricht den Anforderungen der geltenden EU-Richtlinien.</p>
	<p>Für den Betrieb bitte die Gebrauchsanweisung konsultieren!</p>
	<p>Bitte Augenschutz tragen!</p>
	<p>Feuer, offenes Licht und Rauchen verboten</p>
	<p>Das Produkt ist außerhalb der Reichweite von Kindern aufzustellen.</p>
 <b>Lithium-Ionen</b>	<p>Das Akku-Pack gehört nicht in den Hausmüll, sondern muss gemäß den örtlichen Entsorgungsvorschriften für Batterien und Akkus entsorgt werden.</p>
	<p>Recyclingsymbol</p>
<p><b>UN38.3</b></p>	<p>Kennzeichnung für Gefahrguttransport</p> <p>Das Produkt erfüllt die Zertifizierungen nach UN38.3.</p>

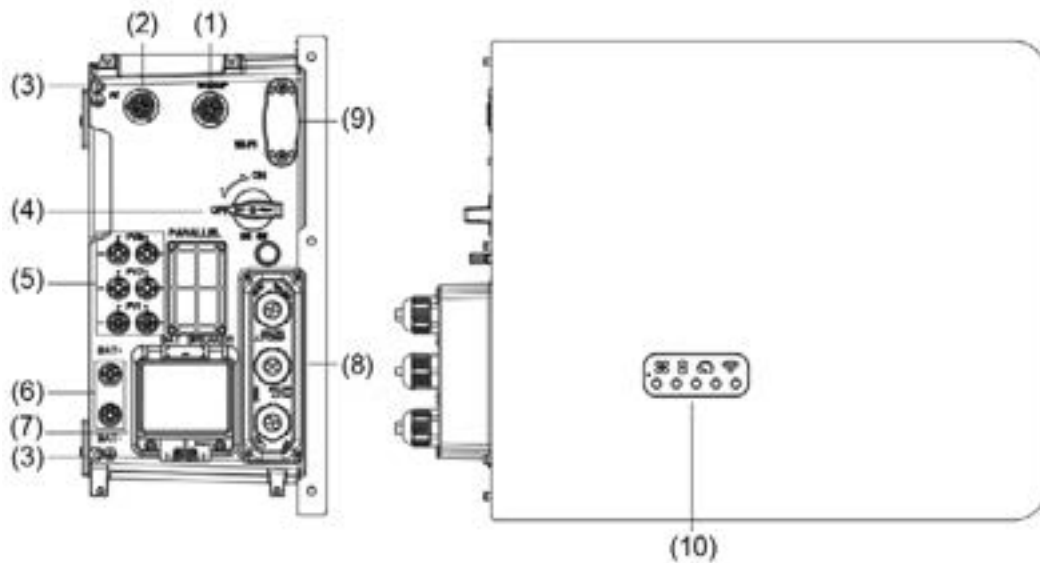
### 3.0 Einführung in das Produkt und Anwendungsszenarien

#### 3.1 Äußere Teile des Systems



## 3.2 Beschreibung des Wechselrichters

### 3.2.1 Einführung in die elektrische Schnittstelle des Wechselrichters



Position	Beschreibung
1	Backup-Anschluss
2	Netzanschluss (3P-AC-Versorgung)
3	Erdungspunkt
4	PV-Schalter*
5	Positive und negative PV-Anschlüsse, PV1, PV2, PV3
6	Akku „+“-Anschluss Akku „-“-Anschluss
7	Akku-Schutzschalter*
8	Kommunikationsanschlüsse (BMS, RS485, Meter, DRM**&RRCR, LAN, AUX)
9	Anbieter verteilter Netzwerkdienste (Distributed Network Service Provider)
10	LED-Anzeige des Wechselrichters

\* Akku-Schutzschalter und PV-Schalter des Wechselrichters sind bei Anlieferung ausgeschaltet.

\*\* Der DRM ist nur für Regionen mit Sicherheitsvorschriften nach AS/NZS 4777.2 vorgesehen.

### 3.2.2 Oberfläche des Displays des Wechselrichters

Im Anzeigefeld des Wechselrichters gibt es neun LED-Anzeigen.











#### Obere LED-Anzeigen

Die vier System-LEDs zeigen Informationen über Status und Betrieb des Systems an.

#### Untere LED-Anzeigen

Die fünf LEDs dienen zur Anzeige des Ladezustands des/der Akkus im Normalbetrieb.

Wenn ein Fehler auftritt, dient die Kombination aus oberer und unterer LED zur Anzeige von Fehlercodes, z. B.:







Normaler Status	Beschreibung	Anormaler Status	Beschreibung
 <b>SYSTEM</b>	<b>Weißes Licht</b> System funktioniert normal	 <b>SYSTEM</b>	<b>Rotes Licht</b> System ist fehlerhaft
 <b>STROMZÄHLER</b>	<b>Weißes Licht</b> Datenaustausch mit Stromzähler funktioniert normal	 <b>STROMZÄHLER</b>	<b>Kein Licht</b> Keine Verbindung zum Stromzähler
 <b>BATTERIE</b>	<b>Weißes Licht</b> Akku funktioniert normal	 <b>BATTERIE</b>	<b>Kein Licht</b> Akku funktioniert nicht normal
 <b>KOMMUNIKATION</b>	<b>Weißes Licht</b> Server verbunden	 <b>KOMMUNIKATION</b>	<b>Kein Licht</b> Server nicht verbunden



Während eines Software-Downloads und eines Upgrades verhalten sich die LEDs des Wechselrichters jedoch anders:

LED	Während eines Software-Downloads und eines Upgrades
Wechselrichter-LED-Anzeige	Während der Wechselrichter die Datei für ein Firmware-Update herunterlädt, bewegt sich die Anzeige der unteren fünf LEDs von beiden Seiten nach innen zur Mitte. Sobald der Download abgeschlossen ist und das Upgrade beginnt, bewegt sich die Anzeige der unteren fünf LEDs von der Mitte nach außen zu den beiden Seiten.
Akku-LED-Anzeige	Angenommen, die LEDs entsprechen von links nach rechts den Nummern 1 bis 3. Dann blinkt LED Nr. 3 während des Upgrades im schnellen Rhythmus weiß, während die anderen beiden aus sind.

Die unteren LED-Anzeigen an der Vorderseite des Wechselrichters zeigen den Ladezustand (SOC) des Systems an. Wenn alle Batterien normal funktionieren, leuchten sie weiß auf oder sind ausgeschaltet. Während der verschiedenen Ladezustände leuchten die LEDs wie folgt auf:

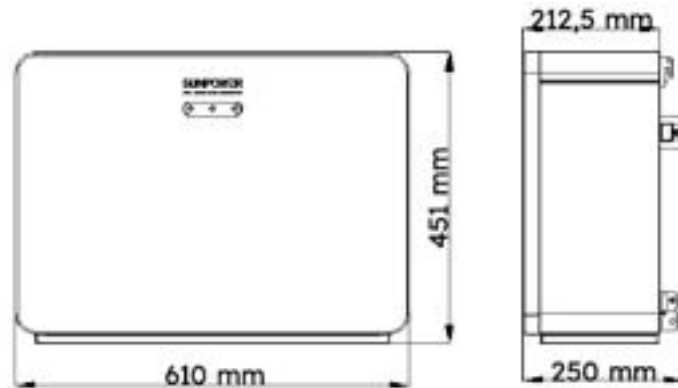
Ladezustand (SOC)	Beschreibung
	SOC < 5 %
	5 % ≤ SOC < 20 %
	20 % ≤ SOC < 40 %
	40 % ≤ SOC < 60 %
	60 % ≤ SOC < 80 %
	80 % ≤ SOC ≤ 100 %

Beachte, dass die LED-Leuchten den Ladezustand nur ungefähr angeben und eher zur Orientierung dienen als einen bestimmten Wert anzugeben.

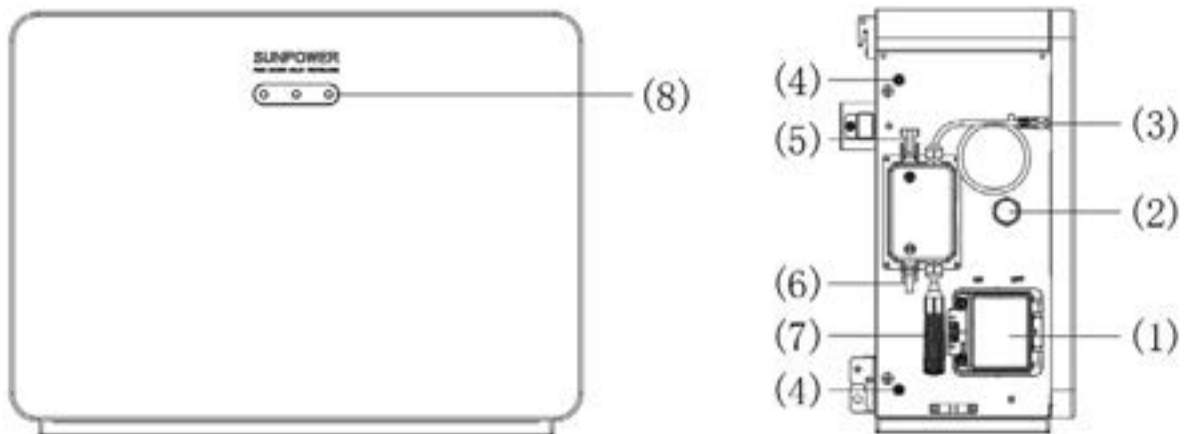
### 3.3 Beschreibung des Akkus

#### 3.3.1 Einführung in die elektrische Schnittstelle des Akkus

Äußere Teile und Abmessungen des Akkus:



Übersicht über den Anschlussbereich:



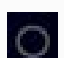








Position	Beschreibung
1	Akku-Schutzschalter
2	Druckbegrenzungsventil
3	BMS COM (1)
4	Erdungspunkt
5	Akku „+“-Kabelanschluss
6	Akku „-“-Kabelanschluss
7	BMS COM (2) (mit Abschlusswiderstand)
8	LED-Anzeige des Akkus

### 3.3.2 Einführung in die Akku-Anzeige

#### Akku-LEDs – SOC-Anzeige

Während des normalen Akkubetriebs informieren drei LED-Anzeigen auf der Frontabdeckung über den Ladezustand (SOC) des Akkus. Die weißen LEDs leuchten und blinken (0,5 s an, 1,5 s aus).

Symbole	Beschreibung
	Weißer LED blinkt
	Weißer LED leuchtet.
	Weißer LED ist ausgeschaltet.

Ladezustand (SOC)	Beschreibung
	SOC ≤ 10 %
	10 % < SOC ≤ 30 %
	30 % < SOC ≤ 50 %
	50 % < SOC ≤ 60 %
	60 % < SOC ≤ 90 %
	90 % < SOC ≤ 100 %

#### Akku-LEDs – Statusanzeige

Die LEDs zeigen den Betriebsstatus des Produkts an.

Standby: alle weißen LEDs blinken (0,5 s an und 0,5 s aus).

Normal: weiße LEDs leuchten oder blinken (0,5 s an und 1,5 s aus).

Schutz: gelbe LEDs leuchten oder blinken (0,5 s an und 0,5 s aus).

Fehler: gelbe LEDs leuchten oder blinken (0,5 s an und 0,5 s aus).

Abschaltung: alle LEDs sind aus.

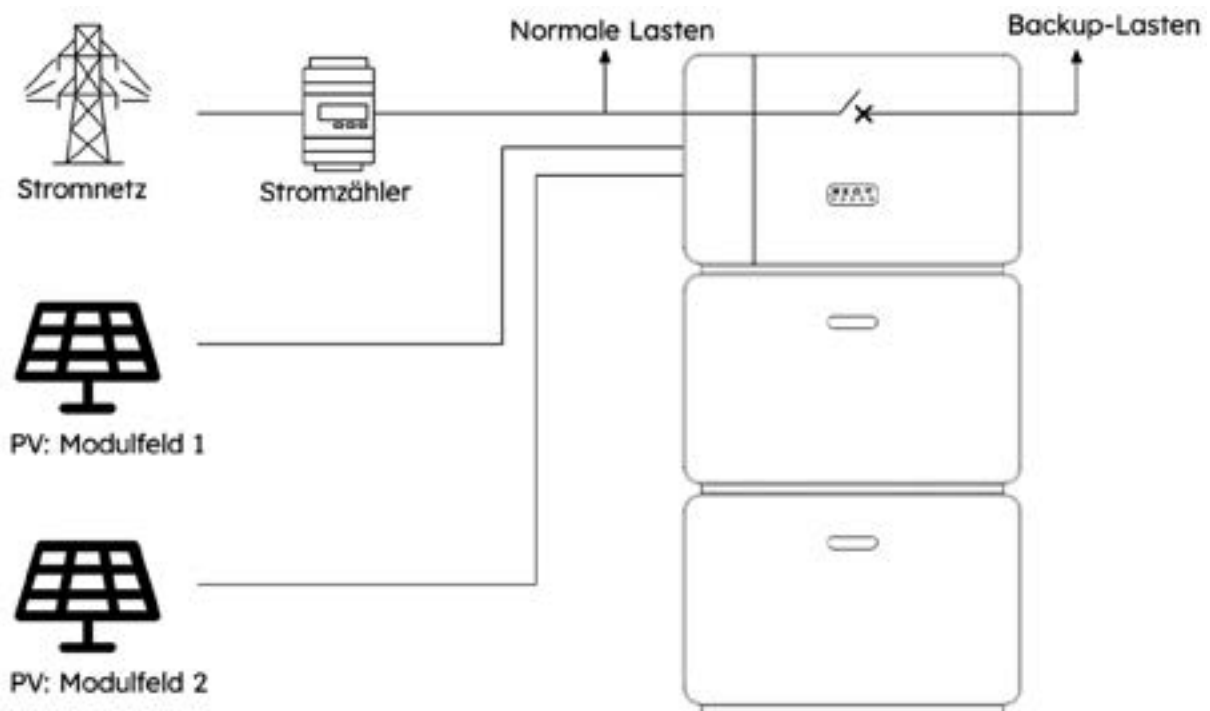
## 3.4 Anwendungsszenarien

SunPower Reserve ist ein flexibles Speichersystem, das in den folgenden Szenarien eingesetzt werden kann:

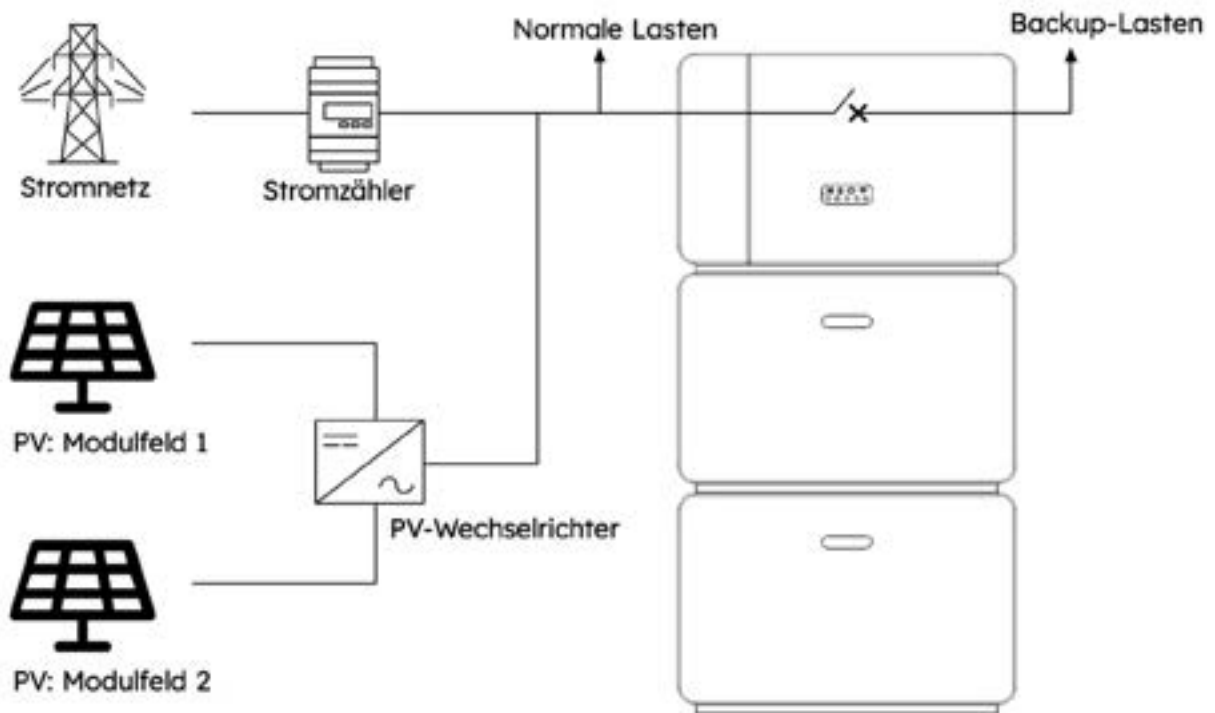
Anwendung	Beschreibung	Vorteile
<b>DC</b>	PV-Modulfelder sind direkt an die SunPower Reserve-PV-Eingänge angeschlossen.	Kein zusätzlicher Wechselrichter erforderlich.
<b>AC</b>	PV-Modulfelder sind an einen separaten AC-gekoppelten PV-Wechselrichter angeschlossen.	<ul style="list-style-type: none"> <li>Die Lasten können gleichzeitig vom Akku und von der PV-Anlage fließen.</li> <li>Das Akku-System kann nachgerüstet werden.</li> </ul>
<b>Hybrid</b>	PV-Modulfelder sind direkt an die SunPower Reserve PV-Eingänge angeschlossen und mit einem AC-gekoppelten PV-Wechselrichter verbunden.	<ul style="list-style-type: none"> <li>Es lässt sich an jede bestehende PV-Anlage ankopplern.</li> <li>Erhöht die Systemgröße und Steuerung ohne Änderung an der ursprünglichen PV-Anlage.</li> </ul>

Ein Beispiel für jedes dieser Szenarien:

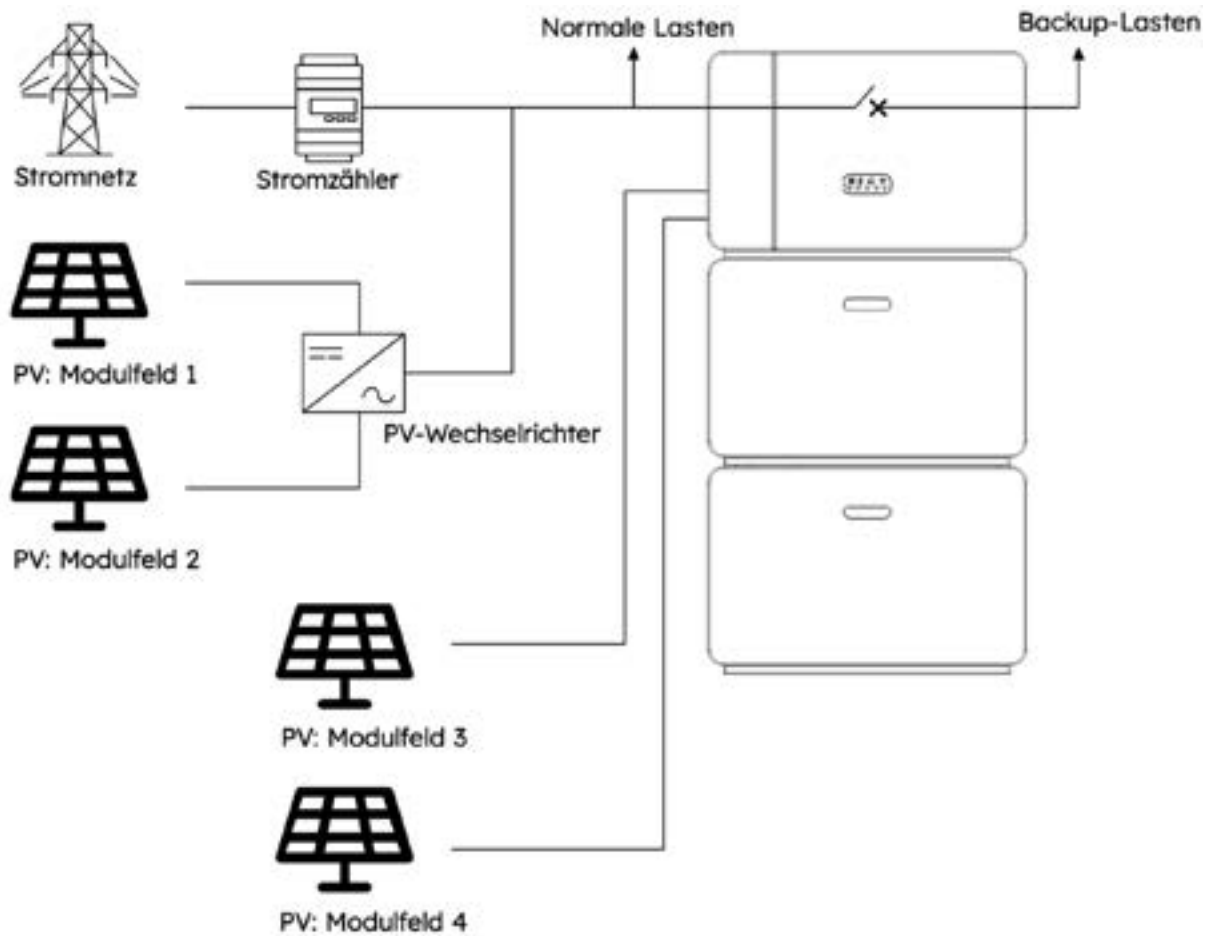
### 3.4.1 DC-gekoppeltes Speichersystem



### 3.4.2 AC-gekoppeltes Speichersystem



### 3.4.3 Hybridgekoppeltes Speichersystem



## 4.0 Lagerung und Transport

### 4.1 Stromspeicher

Die folgenden Bedingungen müssen erfüllt sein, wenn der Wechselrichter nicht sofort in Betrieb genommen wird:

Produkt(e)	Anweisungen zur Lagerung
<b>Wechselrichter:</b> <b>RESERVE-INV-1-</b> <b>P10-L3-INT</b>	<ol style="list-style-type: none"><li>1. Der Wechselrichter sollte nicht der Packung entnommen werden.</li><li>2. Die Lagerung muss bei einer Temperatur zwischen -40 °C und +60 °C und einer relativen Luftfeuchte von 5 % bis 95 % erfolgen.</li><li>3. Der Wechselrichter muss an einem trockenen und sauberen Ort gelagert und vor Staub und vor Korrosion durch Wasserdampf geschützt werden.</li><li>4. Maximal fünf Wechselrichter dürfen übereinandergestapelt werden. Um Personen- oder Geräteschäden zu vermeiden, sind die Wechselrichter vorsichtig zu stapeln, sodass sie nicht umfallen können.</li><li>5. Während der Lagerung muss der Wechselrichter regelmäßig überprüft werden. Beschädigte Verpackungen sind umgehend zu ersetzen.</li><li>6. Wechselrichter, die länger als zwei Jahre gelagert wurden, sollten vor der Inbetriebnahme überprüft und getestet werden.</li></ol>
<b>Akku:</b> <b>RESERVE-BAT-1-</b> <b>DC-4-INT</b>	<ol style="list-style-type: none"><li>1. Bei der Lagerung sind die Akkus entsprechend der Markierungen auf dem Karton zu platzieren.</li><li>2. Beim Stapeln sind die Akkus entsprechend der Stapelanweisungen auf dem Außenkarton zu platzieren.</li><li>3. Akku-Packs sind außerhalb der Reichweite von Kindern zu lagern.</li><li>4. Akku-Packs sind an einem Ort zu lagern, der möglichst staub- und schmutzfrei ist.</li><li>5. Akkus müssen vorsichtig behandelt werden, um Schäden zu vermeiden.</li><li>6. Die Lagerumgebung muss folgende Anforderungen erfüllen:<ol style="list-style-type: none"><li>a. Umgebungstemperatur: zwischen -10 °C und +55 °C, empfohlene Lagertemperatur: 15 °C bis 30 °C</li><li>b. Relative Luftfeuchte: 15 % bis 85 %</li><li>c. Die Akkus müssen an einem trockenen, sauberen, belüfteten und staubfreien Standort gelagert werden.</li><li>d. In der Nähe des Lagerorts dürfen sich keine ätzenden organischen Lösungsmittel und Gase befinden.</li><li>e. Die Akkus dürfen keinem direkten Sonnenlicht ausgesetzt sein.</li><li>f. Die Akkus sollten in einem Abstand von mindestens 2 m von Wärmequellen gelagert werden.</li></ol></li><li>7. Die gelagerten Akkus dürfen nicht an externe Geräte angeschlossen sein. Falls Anzeigen vorhanden sind, müssen diese ausgeschaltet sein.</li><li>8. Gelagerte Akkus sollten nach dem FIFO-Verfahren („first in, first out“) ausgegeben werden.</li><li>9. Akkus, die länger als 6 Monate gelagert werden, sollten regelmäßig begutachtet und geladen werden.</li><li>10. Es wird empfohlen, die Akkus so rasch wie möglich in Betrieb zu nehmen. Die Lagerung von mehr als 12 Monaten bei einem SOC von unter 30 % kann zu Kapazitätsverlust führen.</li></ol>

## 4.2 Transport

Während des Transports sind folgende Richtlinien zu beachten:

1. Für den Transport sollte die Originalverpackung verwendet werden. Wenn die Originalverpackung nicht mehr vorhanden ist, sollte das Produkt in einen geeigneten Karton mit ausreichendem Schutz gelegt und der Karton dicht verschlossen werden.
2. Arbeite vorsichtig, wähle die dem Gewicht entsprechende Vorgehensweise und achte auf deine Sicherheit. Die Verwendung mechanischer Hilfsmittel ist dem Heben von Hand immer vorzuziehen.
3. Beim Transport müssen die Akkus vor mechanischen Beschädigungen geschützt und trocken gehalten werden.
4. Auch die Verpackung muss während des Transports gesichert werden, um Schäden zu vermeiden.
5. Örtliche Vorschriften für das Heben schwerer Gegenstände und Sicherheitsrisiken sind zu beachten.

## 5.0 Montage

### 5.1 Prüfung der äußeren Verpackung







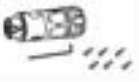











Vor dem Auspacken des Produkts ist die äußere Verpackung auf Schäden wie Löcher, Anzeichen mechanischer Beschädigung oder Wasserschäden zu überprüfen. Wenn ein Schaden sichtbar ist, sollte das Produkt nicht ausgepackt und so schnell wie möglich der Kontakt zum Lieferanten hergestellt werden.

### 5.2 Lieferumfang

Nach dem Auspacken sollten die enthaltenen Komponenten auf Vollständigkeit und äußerlich erkennbare Schäden geprüft werden. Wenn der Lieferumfang unvollständig ist oder Schäden vorliegen, sollte der Kontakt zum Lieferanten hergestellt werden.

### 5.3 Mitgelieferte Komponenten


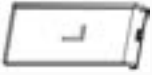










Der Lieferumfang des Wechselrichters muss die im Folgenden aufgelisteten Komponenten aufweisen:

Wechselrichter (RESERVE-INV-1-P10-L3-INT)				
				
Wechselrichter (1 x)	Seitenabdeckung (1 x)	Kabelabdeckung (1 x)	Wechselrichterbasis (1 x)	WLAN-Modul (1 x)
				
Netzanschluss (1 x)	Backup-Anschluss (1 x)	PV-MC4-Stecker, Paar (3 x)	6-Pin-AUX-Klemmenblock (2 x)	Schrauben (M5X12)- und Erdungsklemmsatz (1 x)
				
Erdungskabel zwischen Wechselrichter und 1. Akku (1 x)	Negativ-Hauptstromkabel für Serienakku (1 x)	Positiv-Hauptstromkabel für Serienakku (1 x)	Stromkabel zwischen zwei Säulen-Serienakkus (1 x)	Kommunikationskabel zwischen zwei Säulen-Serienakkus (1 x)
				
Erdungskabel zwischen zwei Säulen-Serienakkus (1 x)	System-Schaltplanblätter (1 x)	Schnell-Installationsanleitung (1 x)		

Zusätzliche Komponenten für die Wandhalterung des Wechselrichters (optional)

Wandhalterung für Wechselrichter (RESERVE-INV-1-P10-L3-INT)				
				
Wandhalterung (1 x)	Haken für Wandhalterung (4 x)	Sechskantschraube M5*12 (18 x)	Wandverankerung ST6*55 (4 x)	Kleine Wasserwaage (1 x)

Der Lieferumfang jedes Akkus muss die im Folgenden aufgelisteten Komponenten umfassen:

Akku (RESERVE-BAT-1-DC-4-INT)				
				
Akku (1 x)	Seitenverkleidung links (1 x)	Seitenverkleidung rechts (1 x)	Anschlussstück unten links (1 x)	Anschlussstück unten rechts (1 x)
				
Erdung Kabel 115 mm (1 x)	Stromkabel für Akku 205 mm (1 x)	Sechskantschraube M5*12 (3 x)	Silikon-Stopper (9 x)	Plastik-Blockierung (1 x)
				
Kabelbinderschnalle (3 x)	Schnell-Installationsanleitung (1 x)			

Zusätzliche Komponenten für die Wandhalterung des Akkus (optional)


Wandhalterung für Akkus (RESERVE-BAT-1-DC-4-INT)				
				
Wandhalterung (1 x)	Verbindungsplatte zwischen den Wandhalterungen der Akkus (2 x)	Verbindungsplatte zwischen den Wandhalterungen des 3P-Wechselrichters und des ersten Akkus (2 x)	Wandverankerung ST6*55 (6 x)	Sechskantschraube mit großer Unterlegscheibe M5*12 (3 x)
				
Flanschmutter M5 (7 x)	Kleine Wasserwaage (1 x)			

Bodenmontage für Akkus (RESERVE-BAT-1-DC-4-INT)				
				
Sockeleinheit (1 x)	Wandverbindungsplatte der Sockeleinheit (1 x)	Wandverbindungsplatte des Serienakkus (1 x)	Wandverankerung ST6*55 (6 x)	Kleine Wasserwaage (1 x)
				
Sechskantschraube M5*12 (8 x)				




## 5.4 Vorbereitung der Werkzeuge und Instrumente

Vor der Installation des Energiespeichersystems müssen folgende Werkzeuge und Sicherheitsausrüstung vorhanden sein:

Werkzeuge/Instrumente und persönliche Schutzausrüstung (PSA)				
				
Bohrhammer (mit 10-mm-Bohrer)	Steckschlüssel SW8	Multimeter (DC-Spannungsbereich $\geq 1000$ V DC)	Seitenschneider	Abisolierzange
				
T20-Schraubendreher (Drehmomentbereich: 0 bis 5 Nm), L=150 mm	Gummihammer	Universalmesser	Kabelschneider	Crimpzange MC4
				
Abschluss-Crimpzange für Kabelenden (Modell: HSC8 0,25-10 mm <sup>2</sup> )	Netzwerkstecker-Klemme	Stromzange	Montageschlüssel für PV-Anlagen	Staubsauger
				
Marker	Maßband	Wasserwaage	Atemschutzmaske	Sicherheitsschuhe
				
Sicherheitshandschuhe	Schutzbrille			

## 5.5 Voraussetzungen für die Montage

 <b>GEFAHR</b>	<p>Auch bei der sorgfältigsten Konstruktion können elektrische Geräte Brände auslösen.</p> <ul style="list-style-type: none"> <li>• Das Energiespeichersystem darf nicht in der Nähe von leicht entflammbaren Materialien oder Gasen aufgebaut werden.</li> <li>• Ebenso wenig darf es in explosionsgefährdeten Bereichen montiert werden.</li> </ul>
--	---

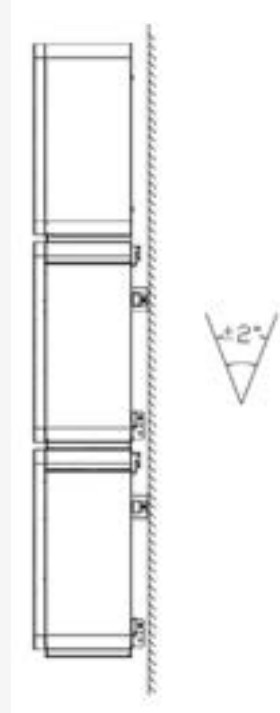
Typ	Voraussetzungen
<b>Basis</b>	<ul style="list-style-type: none"> <li>• Das SunPower Reserve-System eignet sich für den Innen- und Außeneinsatz.</li> <li>• Der Wechselrichter sollte nicht an einem leicht zugänglichen Ort installiert werden, da Gehäuse und Abdeckung während des Betriebs sehr heiß werden können.</li> <li>• Das System darf nicht in Bereichen mit entflammbaren oder explosiven Materialien montiert werden.</li> <li>• Das System muss außerhalb der Reichweite von Kindern aufgebaut werden.</li> <li>• Schrauben dürfen nicht mit einem Schlagschrauber oder einem Impulsschrauber in die Gewindelöcher geschraubt werden. Um Schäden an Schrauben oder Gewindelöchern zu vermeiden, darf nicht zu viel Drehmoment eingesetzt werden.</li> <li>• Wir empfehlen eine Mindesthöhe von 150 mm über dem Boden, um vor Überflutung zu schützen.</li> </ul>
<b>Montagebereich</b>	<ul style="list-style-type: none"> <li>• Das System muss in einer gut belüfteten Umgebung montiert werden, um eine angemessene Wärmeabfuhr zu gewährleisten.</li> <li>• Das System sollte an einem geschützten Ort montiert oder mit einem Sonnenschutz versehen werden.</li> <li>• Der optimale Temperaturbereich für den Betrieb des Akkus liegt bei 15 °C bis 30 °C.</li> <li>• Das System darf nicht an Orten montiert werden, an denen es Sonnenlicht ausgesetzt ist, da die zusätzliche Wärme die Systemleistung beeinträchtigen kann.</li> <li>• Zudem darf es nicht mit Wasser in Berührung kommen oder in der Nähe von Wasserquellen wie Fallrohren oder Sprinkleranlagen aufgestellt werden.</li> <li>• In Gebieten mit salzhaltiger Luft darf das System nicht im Außenbereich montiert werden, da Korrosionsschäden auftreten können. Ein „Gebiet mit salzhaltiger Luft“ bezieht sich auf Bereiche, die weniger als 500 m von der Küste entfernt sind oder unter dem Einfluss von Seewind stehen.</li> <li>• Wenn der Akku in der Garage montiert wird, muss das Produkt ausreichend vor möglichen mechanischen Stößen geschützt werden.</li> <li>• Empfehlenswerte Standorte sind im Innenbereich, überdacht oder generell vor Witterungseinflüssen und extremen Temperaturen geschützt (beispielsweise in einer Garage).</li> </ul>

### Montagestruktur

- Die Montageoberfläche darf die Ausbreitung von Feuer nicht begünstigen. Die Montageoberfläche hinter dem System sollte die Ausbreitung von Feuer nicht zulassen und sollte über eine Feuerwiderstandsklasse verfügen, sofern die örtlichen Vorschriften dies vorschreiben.
- Es muss sichergestellt werden, dass der Montageboden fest ist und das Gewicht des Systems trägt.

### Montagewinkel bei Wandmontage

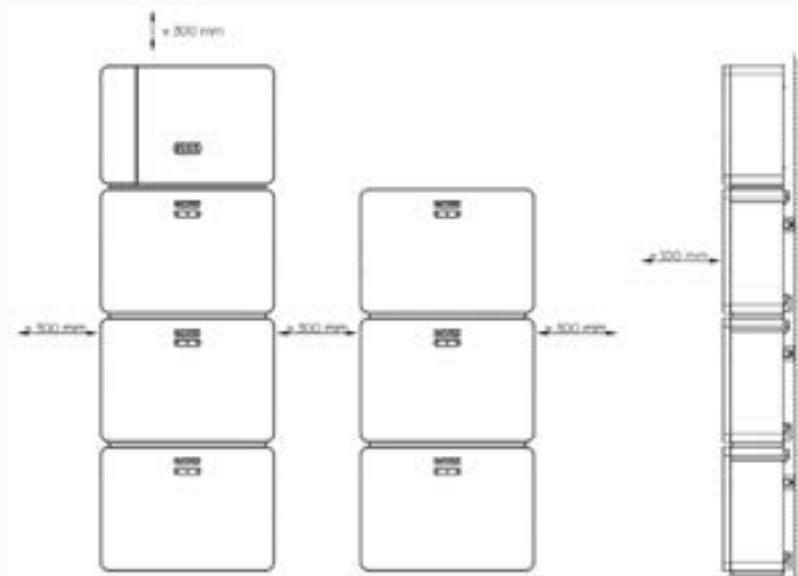
Der Wechselrichter sollte auf dem Akku montiert werden. Der erforderliche Installationswinkel beträgt:



Das System darf nicht nach vorne oder zur Seite geneigt, horizontal oder auf dem Kopf stehend montiert werden.

## Montagebereich

- Um das Produkt muss ausreichend Abstand eingehalten werden, damit Platz für Installation, Wartung und Wärmeabfuhr vorhanden ist.
- Der Seitenabstand ist eine Empfehlung, die je nach den Bedürfnissen der Endnutzer angepasst werden kann. Die Abstände können bis zu 100 mm geringer ausfallen als angegeben, solange die Belüftung ausreicht und keine Hindernisse oder Gegenstände den Zugang zu den Kennzeichnungen oder Schaltern des Produkts oder das Ansetzen von Werkzeug zum Entfernen der Abdeckungen oder zur Wartung/Demontage des Produkts behindern.
- Lokale Normen können zusätzliche Abstandsvorschriften enthalten, besonders in Bezug auf die Abstände zwischen dem Batteriesystem und anderen elektrischen Geräten.



## 5.6 Montage des Energiespeichersystems

### 5.6.1 Montage des Akkus mit Wandhalterung

Anleitung zur Montage des Akkus:



Da der Akku 44 kg wiegt, besteht beim Anheben Verletzungsgefahr. Wenn der Akku beim Transport oder bei der Montage falsch angehoben oder fallen gelassen wird, besteht Verletzungsgefahr.

- Der Akku muss immer wie unten beschrieben transportiert und angehoben werden. Das Gewicht des Produkts darf nicht unterschätzt werden!
- Für Montage und Demontage des Produkts müssen immer zwei Personen anwesend sein und auf die Sicherheit achten.
- Trage bei allen Arbeiten am Produkt geeignete persönliche Schutzausrüstung.

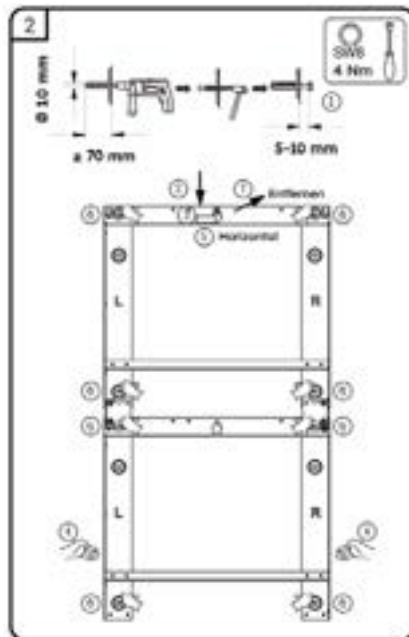
1. Nimm den Akku aus dem Karton und transportiere ihn zum Installationsort.



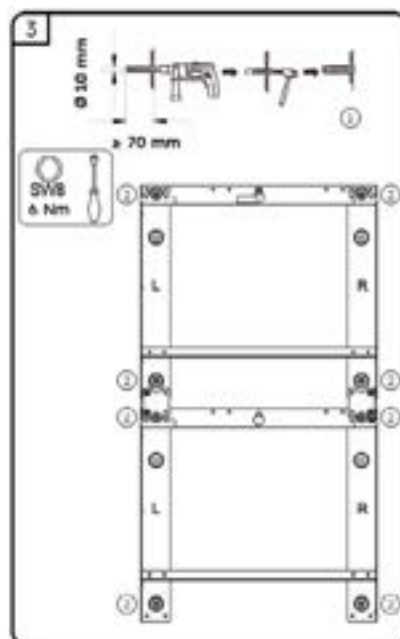
2. Packe die Wandhalterungen und Verbindungsplatten aus. Montiere sie mit M5-Muttern zu einem Rahmen. Wähle eine geeignete Höhe und halte unten genügend Platz frei, falls du weitere Akkus hinzufügen möchtest.



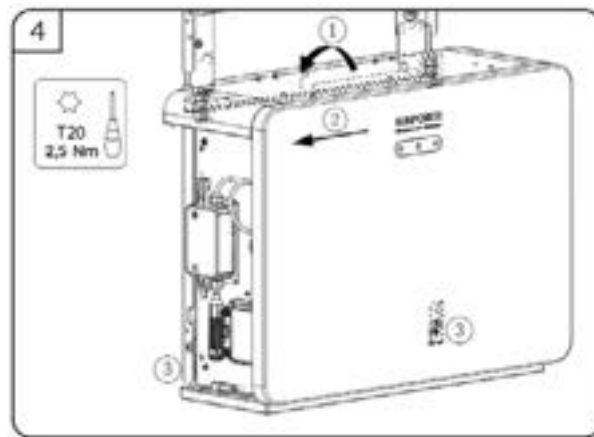
- Bohre das markierte Loch mit einem 10-mm-Bohrer. Führe den Dübel in das Bohrloch ein und ziehe die mitgelieferte Schraube nur leicht an. Lasse 5 bis 10 mm vom Schraubenkopf zur Wand frei. Hänge die Wandhalterung an den Schraubenkopf, richte sie horizontal aus, markiere die anderen Bohrpositionen und entferne die Wandhalterung.



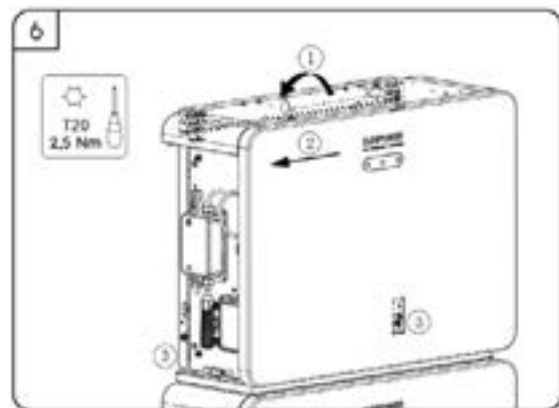
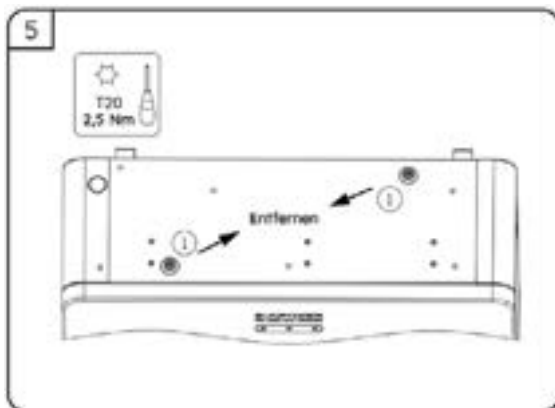
- Bohre die markierten Löcher mit einem 10-mm-Bohrer. Setze die Dübel in die Bohrlöcher. Hänge die Wandhalterung an den Schraubenkopf und befestige die Wandhalterung mit den mitgelieferten Schrauben an der Wand (Werkzeug: 8-mm-Steckschlüssel, Drehmoment: 6 Nm).



- Halte die Griffe des Akkus immer fest an beiden Seiten, hake die Batterie in die untere Wandhalterung ein und schiebe sie bis zum Anschlag links. Setze die unteren Befestigungslöcher auf beiden Seiten der Batterie auf die Wandhalterung und ziehe sie mit zwei Schrauben M5\*12 fest (Werkzeug: T20-Schraubendreher, Drehmoment: 2,5 Nm).



- Bitte entferne die beiden Begrenzungsblöcke an der Oberseite des Akkus, wenn der nächste Akku mit einer Wandhalterung montiert wird. Fahre damit fort, weitere Akkus zu montieren, indem du Schritt 4 und Schritt 5 wiederholst.



## 5.6.2 Anleitung zur Demontage des Akkus:

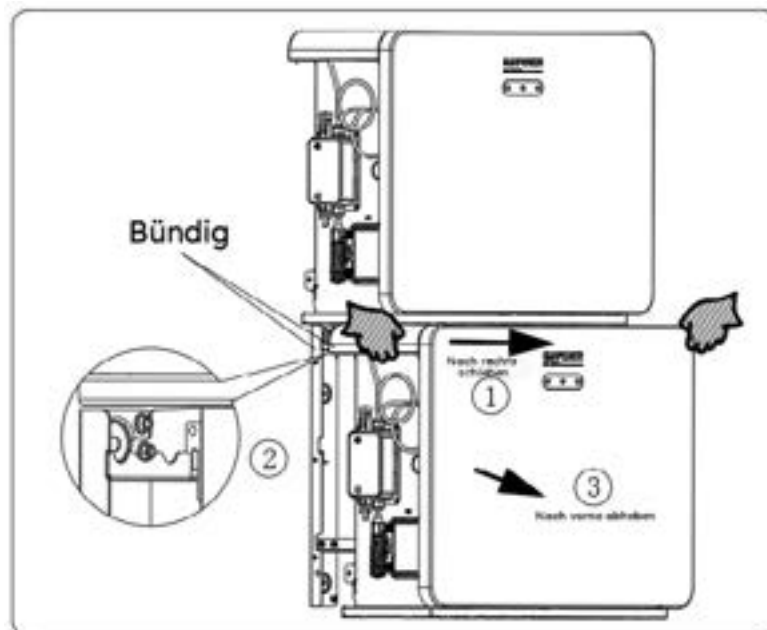


### Verletzungsgefahr aufgrund des Gewichts des Akkus

Wenn das Produkt beim Transport oder bei der Montage falsch angehoben oder fallen gelassen wird, kann es zu Verletzungen kommen. So vermeidest du diese Gefahr:

- Transportiere und hebe das Produkt mit Vorsicht. Das Gewicht des Produkts (44 kg) darf nicht unterschätzt werden!
- Setze für die Montage und Demontage des Produkts immer mindestens zwei Personen ein.
- Trage bei allen Arbeiten am Produkt geeignete persönliche Schutzausrüstung.

Wenn du den Akku, der mit einer Wandhalterung montiert und nicht direkt mit dem Wechselrichter verbunden ist, demontierst, halte die Griffe auf beiden Seiten des Akkus immer fest und schiebe ihn nach rechts. Sobald der linke Griff des unteren Akkus mit der linken Kante des oberen Akkusockels fluchtet, hebe den Akku vorsichtig nach vorne und von der Wandhalterung ab.





### 5.6.3 Montage des Akkus mit der Bodenhalterung

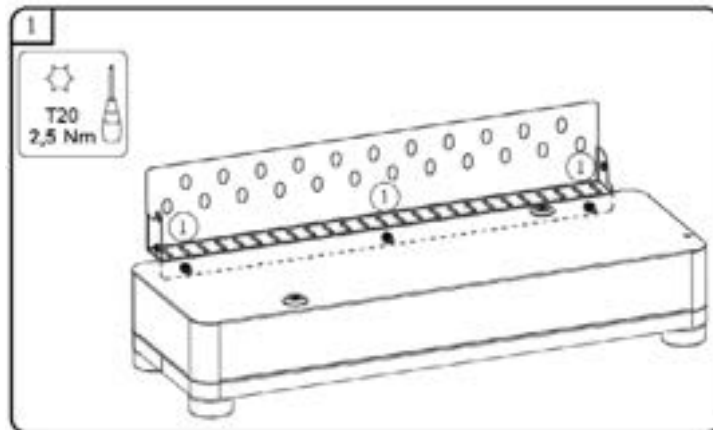
Anweisungen für die Bodenmontage des Akkus an der Wand:



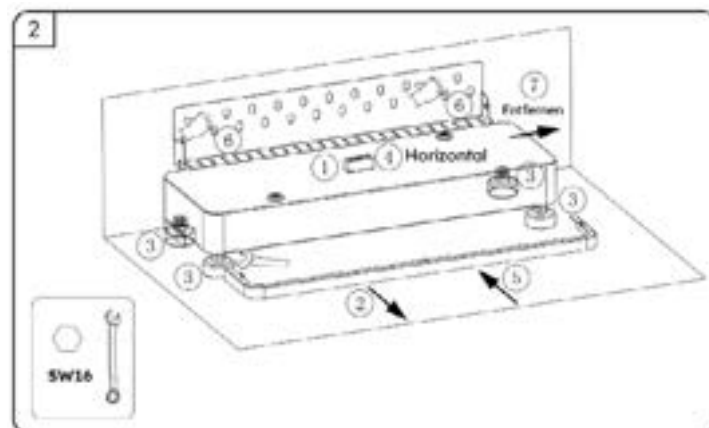
Da der Akku 44 kg wiegt, besteht beim Anheben Verletzungsgefahr. Wenn der Akku beim Transport oder bei der Montage falsch angehoben oder fallen gelassen wird, besteht Verletzungsgefahr.

- Der Akku muss immer wie unten beschrieben transportiert und angehoben werden. Das Gewicht des Produkts darf nicht unterschätzt werden!
- Für Montage und Demontage des Produkts müssen immer zwei Personen anwesend sein und auf die Sicherheit achten.
- Trage bei allen Arbeiten am Produkt geeignete persönliche Schutzausrüstung.

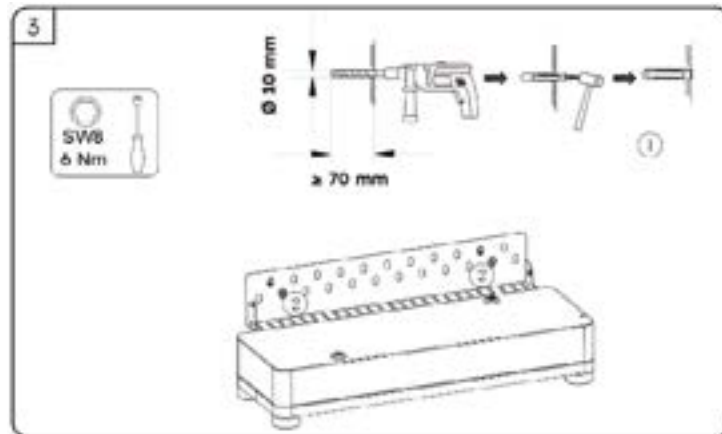
1. Nimm die Sockleinheit und die Wandverbindungsplatte heraus und verbinde die beiden Elemente durch die drei Schrauben M5\*12 miteinander (Werkzeug: T20-Schraubendreher, Drehmoment: 2,5 Nm).



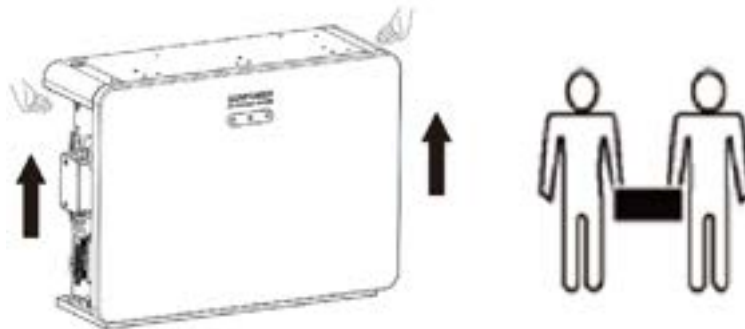
2. Waagerechten Stand sicherstellen. Positioniere die kleine Wasserwaage in der Mitte der Sockleinheit, entferne die Abdeckung der Füße, richte die vier Füße so aus, dass die Sockleinheit waagrecht steht. Montiere die Abdeckung der Füße an der Sockleinheit, markiere die Bohrpositionen an der Wand und nimm die Sockleinheit ab.



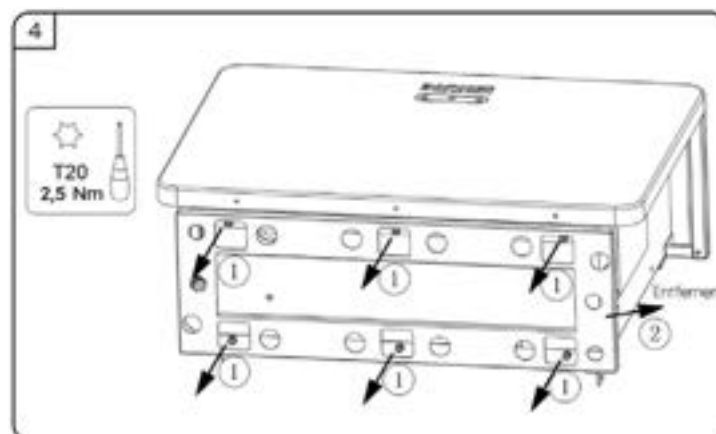
- Bohre die markierten Löcher mit einem 10-mm-Bohrer. Setze die Dübel in die Bohrlöcher ein und befestige die Sockleinheit mit den mitgelieferten Schrauben an der Wand (Werkzeug: Steckschlüssel SW8, Drehmoment: 6 Nm).



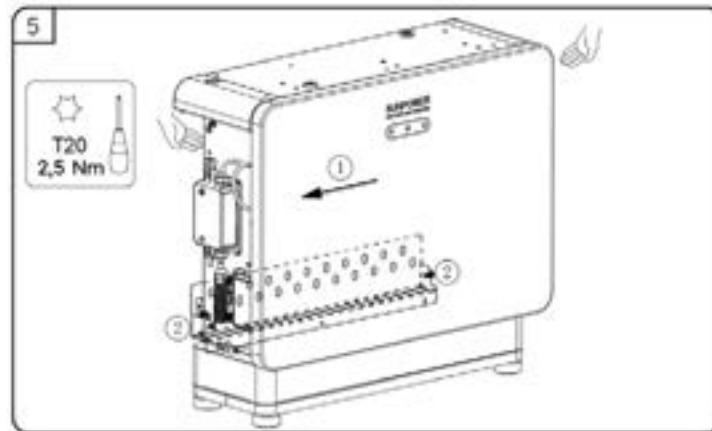
- Nimm den Akku aus dem Karton und transportiere ihn zum Installationsort.



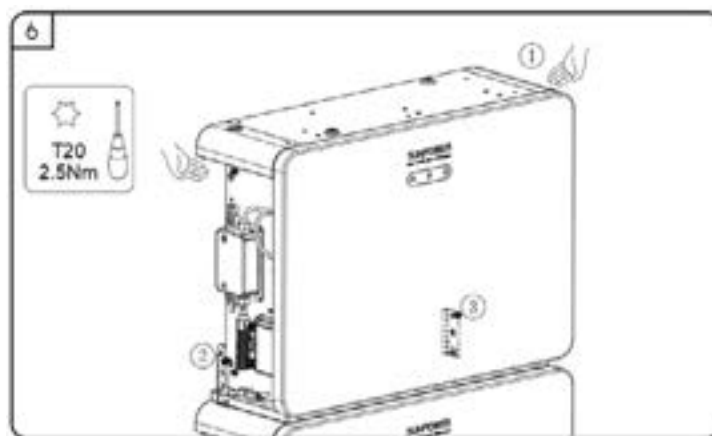
- Entferne den Sockel vom Akkuboden (Werkzeug: T20-Schraubendreher, Drehmoment: 2,5 Nm), der Akku befindet sich unten. Bitte schütze dabei die äußeren Teile des Akkus.



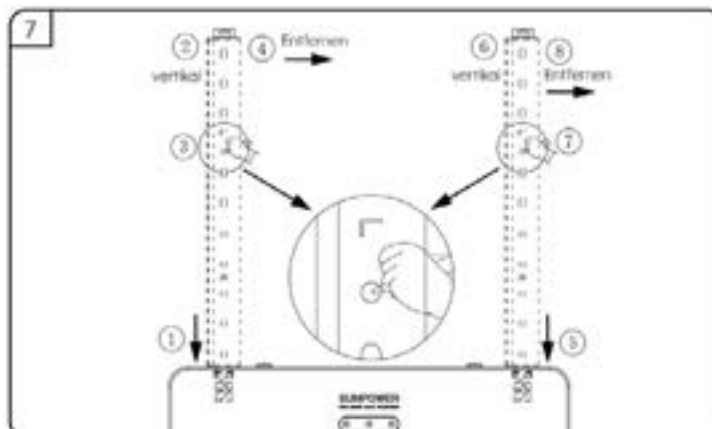
6. Hebe den Akku mit den Griffen an beiden Seiten an, setze ihn auf die Sockeleinheit und schiebe ihn zum Anschlag links. Setze die unteren Befestigungslöcher auf beiden Seiten des Akkus auf die Wandverbindungsplatte der Sockeleinheit und ziehe sie mit zwei Schrauben M5\*10 fest (Werkzeug: T20-Schraubendreher, Drehmoment: 2,5 Nm).



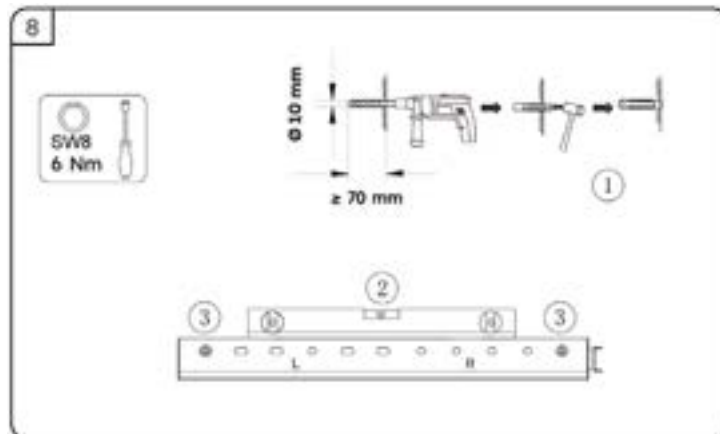
7. Springe bitte zu Schritt 8, wenn sich nur zwei Akkus in der Säule befinden. Hebe den Akku mit den Griffen an beiden Seiten an und setze ihn auf den unteren Akku. Richte dabei die beiden eingedrückten Positionen an der Unterseite des oberen Akkus auf die erhöhten Begrenzungsblöcke an der Oberseite des unteren Akkus aus. Nimm das untere linke Verbindungsstück und das untere rechte Verbindungsstück heraus und verbinde damit den unteren linken Teil des oberen Akkus mit dem oberen linken Teil des unteren Akkus mit Schrauben M5\*10 (Werkzeug: T20-Schraubendreher, Drehmoment: 2,5 Nm). Verbinde den unteren rechten Teil des oberen Akkus mit dem oberen rechten Teil des unteren Akkus.



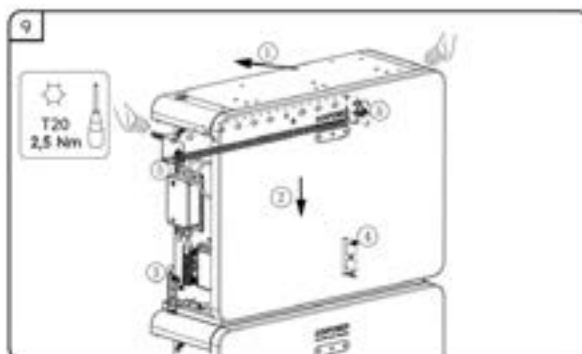
8. Nimm die Wandverbindungsplatte des Akkus heraus. Platziere die erhöhte Kante der Platte links, drücke das untere Ende der Platte gegen die linken und rechten Haken an der Rückseite des Akkus, richte ihre vertikale Position aus und markiere die Bohrpositionen durch das kreisförmige Loch an der Wand.



9. Bohre die markierten Löcher mit einem 10-mm-Bohrer. Überprüfe die waagerechte Ausrichtung mit der Wasserwaage. Stecke die Dübel in die Bohrlöcher und befestige die Wandverbindungsplatte des Akkus mit den mitgelieferten Schrauben an der Wand. (Werkzeug: Steckschlüssel SW8, Drehmoment: 6 Nm).



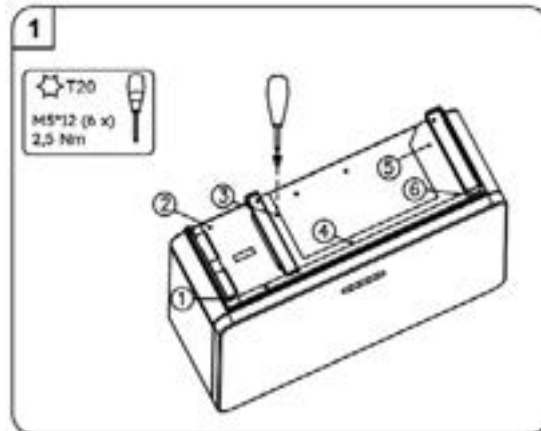
10. Hebe den Akku waagrecht an, führe den oberen Teil des Akkus durch die Wandverbindungsplatte des Akkus und setze den Akku senkrecht auf den unteren Akku.
- Nimm das untere linke Verbindungsstück und das untere rechte Verbindungsstück heraus und verbinde damit den unteren linken Teil des oberen Akkus mit dem oberen linken Teil des unteren Akkus mit Schrauben M5\*10 (Werkzeug: T20-Schraubendreher, Drehmoment: 2,5 Nm). Verbinde den unteren rechten Teil des oberen Akkus mit dem oberen rechten Teil des unteren Akkus.
- Befestige den Akku mit zwei Schrauben M5\*12 an der Wandverbindungsplatte des Akkus (Werkzeug: T20-Schraubendreher, Drehmoment: 2,5 Nm).



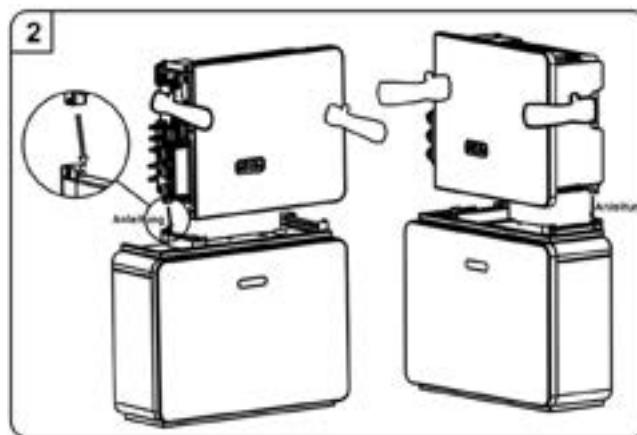
## 5.6.4 Montage des Wechselrichters am Akku

Montiere den Wechselrichter stehend auf dem Akku:

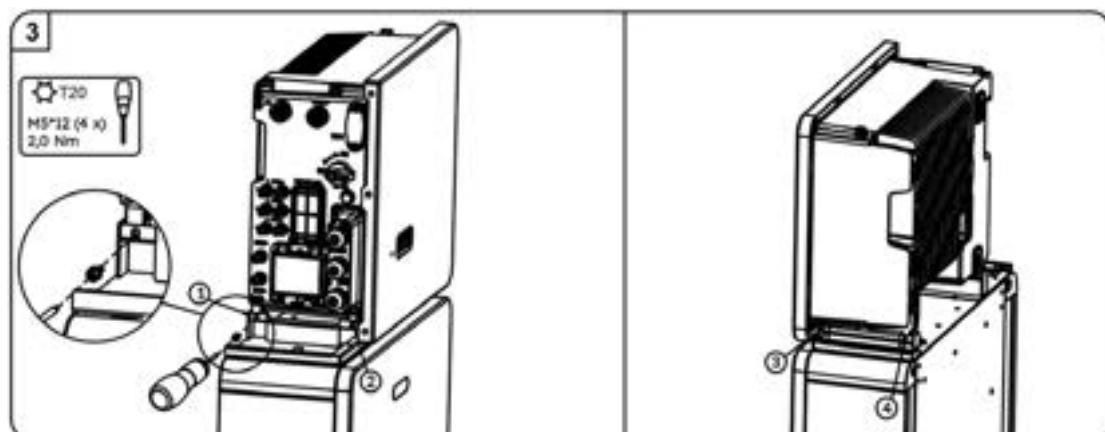
1. Nimm den Wechselrichtersockel heraus, setze ihn auf die Oberseite des Akkus und befestige ihn mit sechs Schrauben M5\*12 (Werkzeug: T20-Schraubendreher, Drehmoment: 2,5 Nm).



2. Setze den Wechselrichter in den Wechselrichtersockel. Dabei müssen die unteren rechten und linken Löcher an der Unterseite des Wechselrichters in die entsprechenden Führungen im Wechselrichtersockel eingesetzt werden.



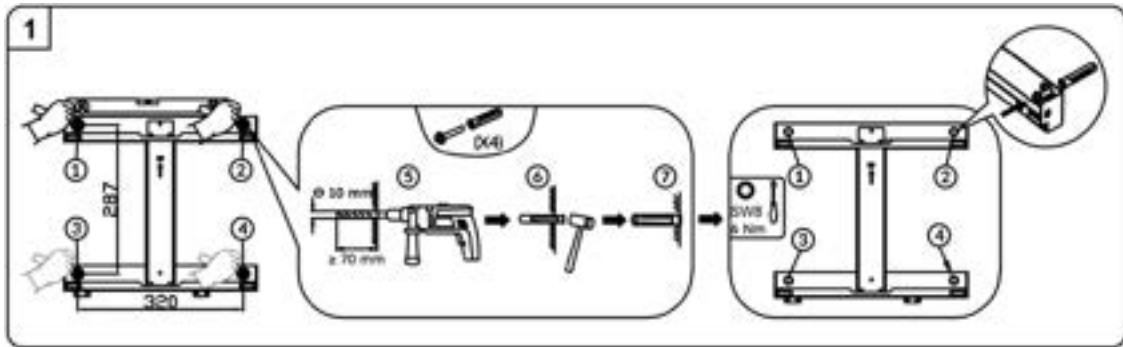
3. Befestige den Wechselrichter am Wechselrichtersockel. Die Befestigungslöcher des Wechselrichters sollten mit den horizontalen Löchern des Wechselrichtersockels zusammenpassen. Befestige sie mit je zwei Schrauben M5x12 mm auf der linken und rechten Seite (Werkzeug: T20-Schraubendreher, Drehmoment: 2,5 Nm).



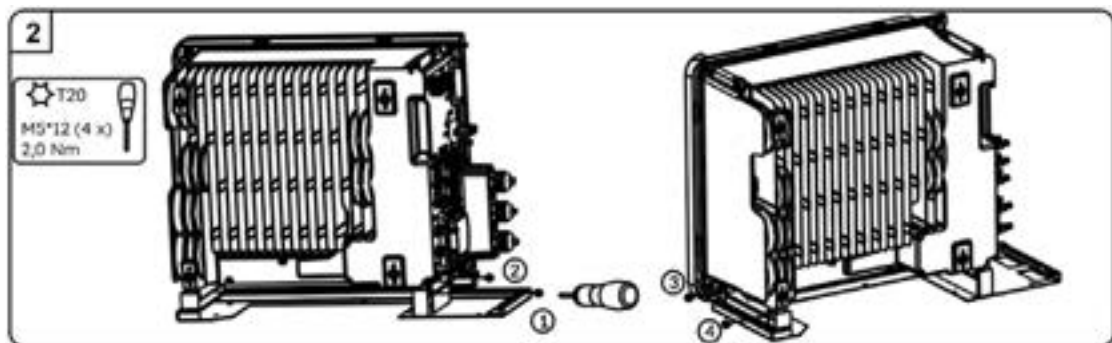
## 5.6.5 Montage des Wechselrichters an einer Wandhalterung

Die Montage des Wechselrichters mit einer Wandhalterung kann die spätere Nachrüstung von Akkus erleichtern.

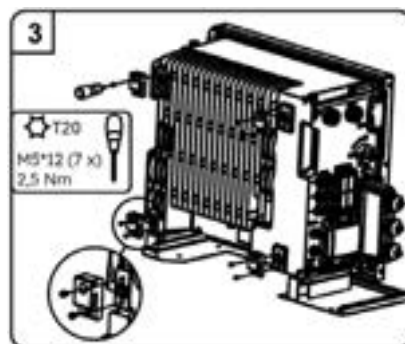
1. Packe die Wandhalterung für den Wechselrichter aus. Wähle eine geeignete Höhe des Akkus. Wir empfehlen, genügend Höhe für einen zusätzlichen Akku einzuplanen. Markiere die vier Bohrlöcher der Wandhalterung. Bohre die markierten Löcher mit einem 10-mm-Bohrer. Setze die Dübel in die Bohrlöcher ein. Prüfe mit einer Wasserwaage, ob die Wandhalterung waagrecht ausgerichtet ist, bevor du sie befestigst. Befestige die Halterung an der Wand und ziehe die Schrauben mit dem 8-mm-Innensechskantschlüssel fest.



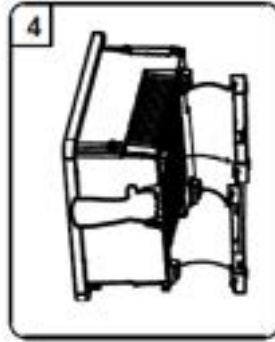
2. Nimm den Wechselrichtersockel heraus und setze den Wechselrichter hinein. Dabei müssen die unteren rechten und linken Löcher an der Unterseite des Wechselrichters in die entsprechenden Führungen im Wechselrichtersockel eingesetzt werden. Befestige den Wechselrichtersockel mit je zwei Schrauben M5x12 mm auf der linken und rechten Seite am Wechselrichter (Werkzeug: T20-Schraubendreher, Drehmoment: 2,5 Nm).



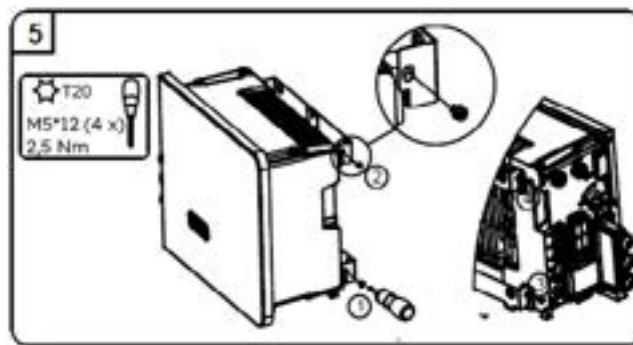
3. Nimm die vier Haken für die Wandhalterung heraus und befestige sie mit den Schrauben M5x12 mm an der Rückseite des Wechselrichters (Werkzeug: T20-Schraubendreher, Drehmoment: 2,5 Nm).



- Hänge den Wechselrichter in die Wandhalterung ein. Vergewissere dich, dass der Akku fest sitzt.



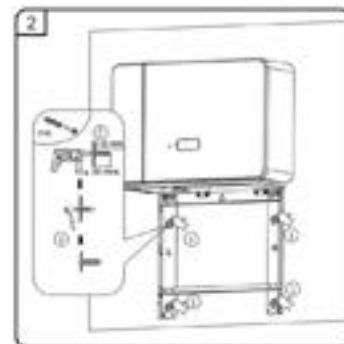
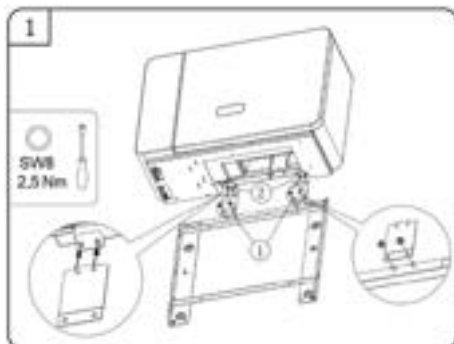
- Befestige den Wechselrichter an der Wandhalterung. Stecke dazu die vier Schrauben M5x12 mm in die unteren und oberen Gewindelöcher auf beiden Seiten des Wechselrichters und ziehe sie fest (Werkzeug: T20-Schraubendreher, Drehmoment: 2,5 Nm).



### 5.6.6 Akku-Montage für Battery-Ready-Anwendung

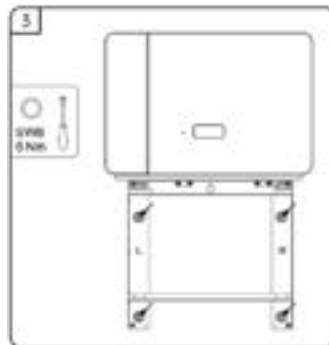
Das Battery-Ready-Szenario bedeutet, dass der Nutzer den Hybrid-Wechselrichter als PV-Wechselrichter installiert und keinen Akku eingebaut hat. Später kann der Nutzer beschließen, einen Akku zu installieren. In diesem Abschnitt zeigen wir dir, wie du den ersten Akku montierst. Bitte befolge diese Schritte.

- Nimm die Wandhalterung des Akkus und die beiden Verbindungsplatten zwischen den Wandhalterungen des Wechselrichters und des ersten Akkus heraus und montiere sie mit M5-Muttern (Werkzeug: Sechskant SW8, Drehmoment: 2,5 Nm).
- Richte die oberen Löcher der Verbindungsplatten zwischen den Wandhalterungen des Wechselrichters und des ersten Akkus auf die unteren Niete der Wandhalterung des Wechselrichters aus, markiere die Bohrlöcher an der Wand und nimm die Wandhalterung des Akkus ab.

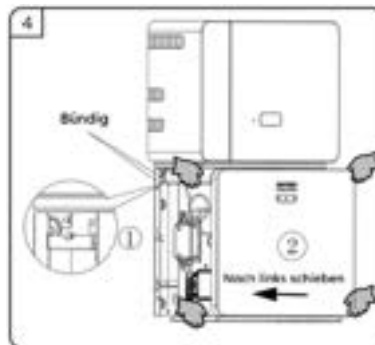




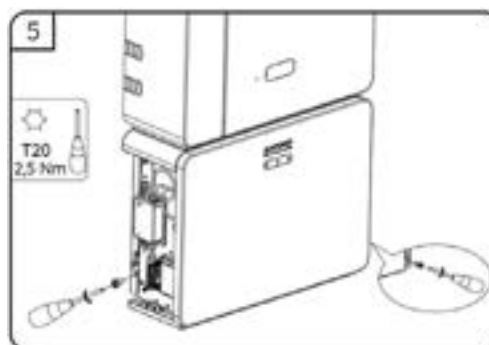
- Bohre die markierten Löcher mit einem 10-mm-Bohrer. Setze die Dübel in die Bohrlöcher. Richte die oberen Löcher der Verbindungsplatten zwischen den Wandhalterungen des Wechselrichters und des ersten Akkus auf die unteren Niete der Wandhalterung des Wechselrichters aus und befestige die Wandhalterung des Akkus mit den mitgelieferten Schrauben an der Wand (Werkzeug: Steckschlüssel SW8, Drehmoment: 10 Nm).



- Halte die Griffe auf beiden Seiten des Akkus gut fest und bewege ihn nach links, lass den linken Haken des Akkus durch die Öffnung der Akku-Wandhalterung laufen, hebe den Akku vorsichtig nach hinten und bewege ihn bis zum linken Anschlag.



- Befestige den Akku an seiner Wandhalterung und ziehe ihn mit zwei Schrauben fest (Werkzeug: T20-Schraubendreher, Drehmoment: 2,5 Nm).

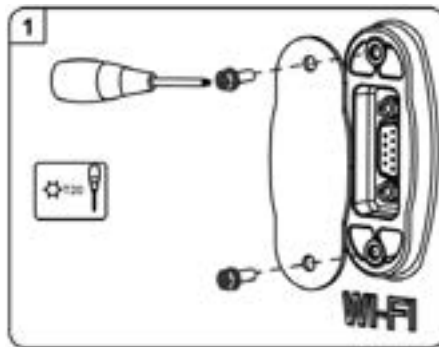


- Die Montageschritte für zusätzliche Akkus findest du in Abschnitt 5.6.1. Montage des Akkus mit Wandhalterung.

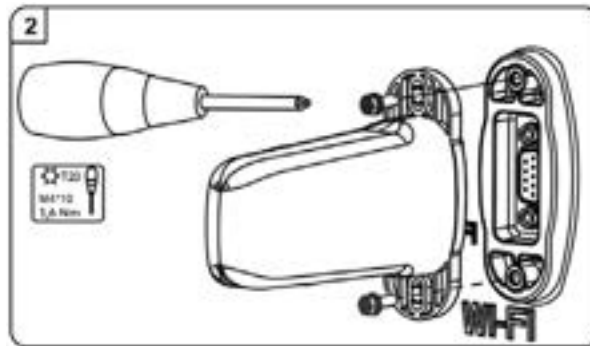


## 5.6.7 Montage des WLAN-Moduls


1. Entferne oben links am Wechselrichter die Schutzabdeckung des WLAN-Anschlusses.




2. Ziehe das Wi-Fi-Modul mit den zwei mitgelieferten M4x12mm Schrauben am Wechselrichter fest (Werkzeug: T20-Schraubendreher, Drehmoment: 1,6 Nm). NICHT ZU STARK ANZIEHEN – sonst kann das Kunststoffgehäuse des WLAN-Moduls beschädigt werden.




## 6.0 Elektrischer Anschluss

  
**GEFAHR**

Durch falsche Kabelverbindungen verursachte Schäden am Energiespeichersystem sind nicht von der Garantie abgedeckt. Die Kabelverbindungen dürfen nur von Elektrofachkräften vorgenommen werden. Das Betriebspersonal muss beim Anschließen von Kabeln eine geeignete persönliche Schutzausrüstung (PSA) tragen.

  
**GEFAHR**

Vergewissere dich vor dem Anschließen von Kabeln, dass alle Unterbrecher und Schalter des Energiespeichersystems auf AUS gestellt sind. Andernfalls kann die Gefahr hoher Spannungen/Ströme zu Stromschlägen führen.

  
**VORSICHT**

Die Kabelfarben in den elektrischen Anschlussdiagrammen in diesem Kapitel dienen nur der Veranschaulichung. Wähle die Kabel entsprechend den örtlichen Kabelspezifikationen aus (grün-gelbe Kabel werden nur für Schutzleiter verwendet).


### 6.1 Kabelanforderungen (nicht enthalten)

Nr.	Kabel	Typ	Querschnittsbereich des Leiters	Äußerer Durchmesser
1	PV-Stromkabel	Standard-PV-Kabel (gemäß den örtlichen Vorschriften)	4–6 mm <sup>2</sup>	5–8 mm
2*	Signalkabel	Standard-Netzwerkkabel (empfohlener Typ: Cat5e, SFTP, UV-beständig für den Außenbereich)	0,12–0,2 mm <sup>2</sup> (AWG26–AWG24)	4–6 mm
3**	Signalkabel	Abgeschirmtes Twisted-Pair-Kupferkabel für den Außenbereich	0,5–1,3 mm <sup>2</sup>	4–6 mm
4	AC-Stromkabel	Fünfadriges (L1, L3, L3, N und PE) Kupferkabel für den Außenbereich	4–6 mm <sup>2</sup>	13–17,5 mm
5	PE-Kabel	Einadriges Kupferkabel für den Außenbereich	4–6 mm <sup>2</sup>	ENTFÄLLT

\* Für RS485, LAN, Dreiphasen-Zähler, DRM-Kommunikationsverbindung mit dem Wechselrichter.

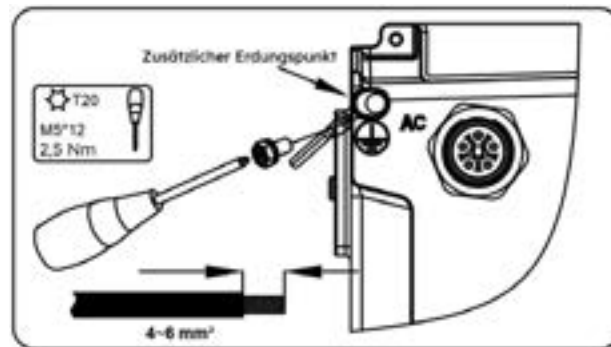
\*\* Für die AUX-Kommunikationsverbindung mit dem Wechselrichter.

### 6.2 Erdungsanschluss

  
**VORSICHT**

Stromschlaggefahr:  
Bevor der elektrische Anschluss hergestellt wird, muss sichergestellt werden, dass der PV-Schalter und alle AC- und BAT-Schutzschalter im Energiespeichersystem ausgeschaltet sind und nicht zufällig oder unbeabsichtigt wieder eingeschaltet werden können.

In der Nähe der AC-Steckdose des Wechselrichters befindet sich ein Erdungspunkt. Bereite M5-Ösen/ Ringklemmen vor, isoliere das Erdungskabel ab, führe den abisolierten Leiter in die Ringklemme ein und vercrimpe ihn mit einer Crimpzange. Verbinde die Erdungsklemme mit dem Wechselrichter (Werkzeug: T20-Schraubendreher, Drehmoment: 2,5 Nm).



## 6.3 Wechselstrom-Anschluss

### 6.3.1 Voraussetzungen für den Wechselstrom-Anschluss

Für das AC-Kabel gelten folgende Anforderungen:

- Leitertyp: Kupferdraht (vorzugsweise verzinnertes Kupfer)
- Die Strombelastbarkeit hängt vom gewählten Wechselrichtermodell ab und sollte so bemessen sein, dass das AC-Kabel den vollen Strom der AC-Versorgung und des Backup-Ausgangs übertragen kann:
  - Beispiel für einen 10-kW-Wechselrichter
  - AC-Versorgung – Maximalstrom: 21,7 A
  - Backup Ausgang – Maximalstrom: 21,7 A
- Hinweis: Berücksichtige bei der Wahl des Kabeldurchmessers das Temperatur-Derating und den Spannungsabfall/-anstieg. Bei Kabeln mit einem Rating von 110 °C oder mehr ist das Derating bei höheren Temperaturen geringer.
- Außendurchmesser: in der Regel 13–17,5 mm für Netz- und Backup-Stecker
- Querschnittsempfehlung für Stromnetz und Backup: 4–6 mm<sup>2</sup>
- Abisolierlänge: 10 mm
- Abmantellänge: 43 mm



Jeder Wechselrichter muss mit einem eigenen Netz-/Backup-Schutzschalter abgesichert werden, damit der Wechselrichter sicher abgeschaltet werden kann.



Fehlerstromüberwachung:

Während des Betriebs des Wechselrichters ist kein externer FI-Schalter erforderlich.

Wenn aufgrund von örtlichen Vorschriften oder einer bestimmten Installationskonfiguration ein FI-Schalter oder ein hybridgekoppeltes Speichersystem mit großer Kopplungskapazität von PV-Modulfeld und PV-Wechselrichter verwendet werden muss, ist Folgendes zu beachten:

Der Wechselrichter ist kompatibel mit FI-Schaltern vom Typ A mit einem Bemessungsfehlerstrom von 100 mA oder höher. Jeder Wechselrichter im System muss mit einem eigenen FI-Schalter an das Stromnetz angeschlossen werden.



Bei der Installation in Australien und Neuseeland müssen die Neutralleiter der Netzseite und der Backup-Seite verbunden werden, da sonst die Funktionalität des Backup-Ausgangs nicht gewährleistet ist.

#### HINWEIS

In jedem Fall müssen Normallasten und wesentliche Lasten durch Erdschlussschutzeinrichtungen (beispielsweise FI-Schutzschalter des Typs A oder B, RCBOs) in Übereinstimmung mit den entsprechenden Normen angemessen geschützt werden.

Die Backup-Lasten sollten die Nennleistung des Wechselrichters nicht überschreiten, auch nicht im Netzbetrieb.

### 6.3.2 Auswahl eines geeigneten AC-Schutzschalters

Die allgemeinen Anforderungen zur Auswahl von Schutzschaltern sind von den Normen und länderspezifischen Bestimmungen abhängig. Die folgenden, allgemein gültigen Einflussfaktoren sind bei der Auswahl eines geeigneten Schutzschalters zu berücksichtigen:

- Faktoren, die die Strombelastbarkeit des Kabels beeinflussen: Art des verwendeten Kabels, Umgebungstemperatur rund um das Kabel, Art der Kabelführung, Bündelung der Kabel.
- Weitere Einflüsse auf die Dimensionierung: Schleifenimpedanz, gegenseitige Erwärmung von Schutzschaltern, Umgebungstemperatur am Schutzschalter, Selektivität, Art des angeschlossenen Geräts.

Wenn diese Faktoren nicht berücksichtigt werden, erhöht sich das Risiko, dass der Schutzschalter unter normalen Betriebsbedingungen ausgelöst wird.

Die Auswahl von Schutzschaltern für die AC-Versorgung und den Backup-Ausgang hängt vom Maximalstrom des Backup-Stromkreises und des Wechselrichters (wenn dieser zwangsgeladen wird), dem Modell der eingesetzten Schutzschalter und ihrem Bemessungsstrom unter Berücksichtigung des Deratings bei ihrer maximalen Temperatur ab. Angaben zum Temperatur-Derating sind in den Datenblättern der Schutzschalter enthalten. Vergewissere dich, dass die verwendeten Schutzschalter für die Stromstärke und die Betriebstemperatur geeignet sind, sonst erhöht sich die Gefahr, dass der Schutzschalter unter normalen Betriebsbedingungen auslöst.

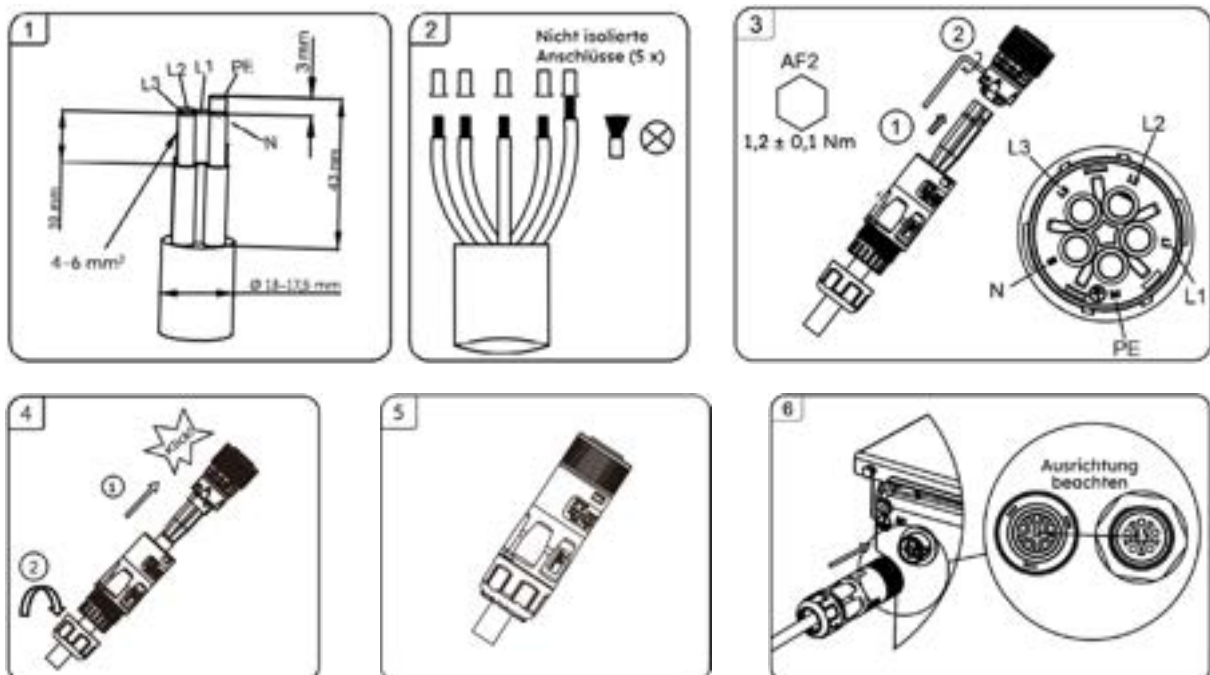
## Empfehlung für den AC-Anschluss

Beschreibung	Strom im MPP	Schutzschalter-Typ	Empfohlener Kabelquerschnitt
Netzseite	21,7 A	32 A	4-6 mm <sup>2</sup>
Backup-Seite	21,7 A	32 A	4-6 mm <sup>2</sup>

### 6.3.3 Netz- und Backup-Anschluss

Die Schritte zum Anschließen des Netzanschlusses sind wie folgt:

1. Schalte PV-Schalter, Netz, Backup und Akku-Schutzschalter aus und sichere sie gegen Wiedereinschalten.
2. Entferne die äußere Isolierung des AC-Kabels auf einer Länge von 43 mm.
3. Kürze L1, L2, L3 und N um jeweils 3 mm, so dass der Erdungsleiter 3 mm länger ist. Dadurch wird sichergestellt, dass der Erdungsleiter bei einer Zugbelastung als letzter aus der Schraubklemme gezogen wird.
4. Isoliere L1, L2, L3, N und den Erdungsleiter 10 mm ab.
5. Wenn du feinen Litzendraht verwendest, versehe L1, L2, L3, N und PE mit Aderendhülsen.
6. Demontiere den Netzstecker und stülpe die Überwurfmutter und die Gewindehülse über das AC-Kabel.
7. Stecke die fünf Leiter in die Schraubklemmen am Buchseneinsatz und ziehe die Schrauben mit dem mitgelieferten Werkzeug mit 1,2 Nm an. Achte darauf, dass alle Leiter fest in den Schraubklemmen des Buchseneinsatzes sitzen.
8. Führe die Gewindehülse in den Buchseneinsatz ein, bis du ein „Klick“-Geräusch hörst. Schraube die Überwurfmutter auf die Gewindehülse.
9. Stecke den Netzstecker in die Buchse für den Netzanschluss, bis er hörbar einrastet. Richte dabei den Netzstecker so aus, dass die konvexe Rippe am Buchseneinsatz des Netzsteckers zuerst auf die Nut der Netzanschlussbuchse zeigt. Stecke dann den Netzstecker in die Netzanschlussbuchse.

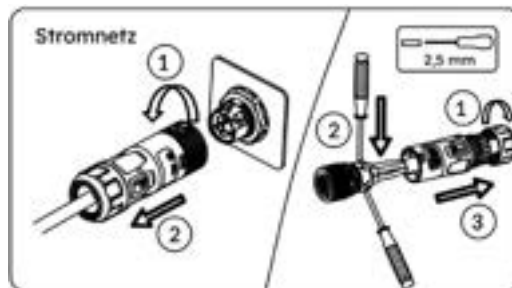


Die Schritte für die Backup-Verbindung sind ähnlich wie bei der Netzverbindung, der Unterschied ist Schritt 9:

Stecke den Backup-Stecker in die Buchse für den Backup-Anschluss, bis er hörbar einrastet. Richte dabei den Backup-Stecker so aus, dass die **Rille** am Buchseneinsatz des Backup-Steckverbinders zuerst auf die **konvexe Rippe** an der Backup-Anschlussbuchse zeigt, und stecke dann den Backup-Stecker in die Backup-Anschlussbuchse.

Gehe bei der Demontage des Netzsteckers (beispielsweise aufgrund einer fehlerhaften Montage) wie folgt vor:

1. Ziehe den Netzstecker ab. Drehe den Buchseneinsatz des Netzsteckers gegen den Uhrzeigersinn und ziehe dann den Netzstecker aus der Netzanschlussbuchse heraus. Ziehe nicht am Kabel.
2. Entriegele den Netzstecker. Dazu schraubst du die Überwurfmutter von der Gewindehülse ab, steckst einen Schlitzschraubendreher (Klingenbreite: 2,5 mm) in die seitliche Verriegelung und hebelst die Verriegelungsmechanik auf. Ziehe den Buchseneinsatz vorsichtig auseinander.



Gehe bei der Demontage des Backup-Steckers (beispielsweise aufgrund einer fehlerhaften Montage) wie folgt vor:

1. Ziehe den Backup-Stecker ab. Drehe den Buchseneinsatz des Backup-Steckers gegen den Uhrzeigersinn und ziehe dann den Backup-Stecker aus der Backup-Anschlussbuchse heraus. Ziehe nicht am Kabel.
2. Entriegele den Backup-Stecker. Dazu schraubst du die Überwurfmutter von der Gewindehülse ab, steckst einen Schlitzschraubendreher (Klingenbreite: 2,5 mm) in die seitliche Verriegelung und hebelst die Verriegelungsmechanik auf. Ziehe den Buchseneinsatz vorsichtig auseinander.



## 6.3.4 Anschluss des Stromzählers

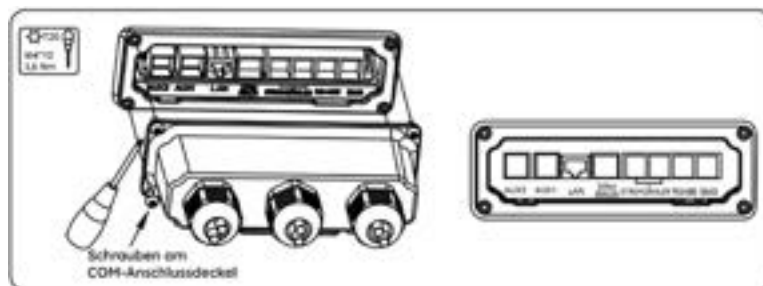
### 6.3.4.1 Werte des Stromzählers

Komponente	Stromstärke	Szenarien
DTSU666-3*230 V 100 A/40 mA	100 A	Dreiphasiger Stromzähler

### 6.3.4.2 Zählerverkabelung

Anweisungen für die Verkabelung des Zählers:

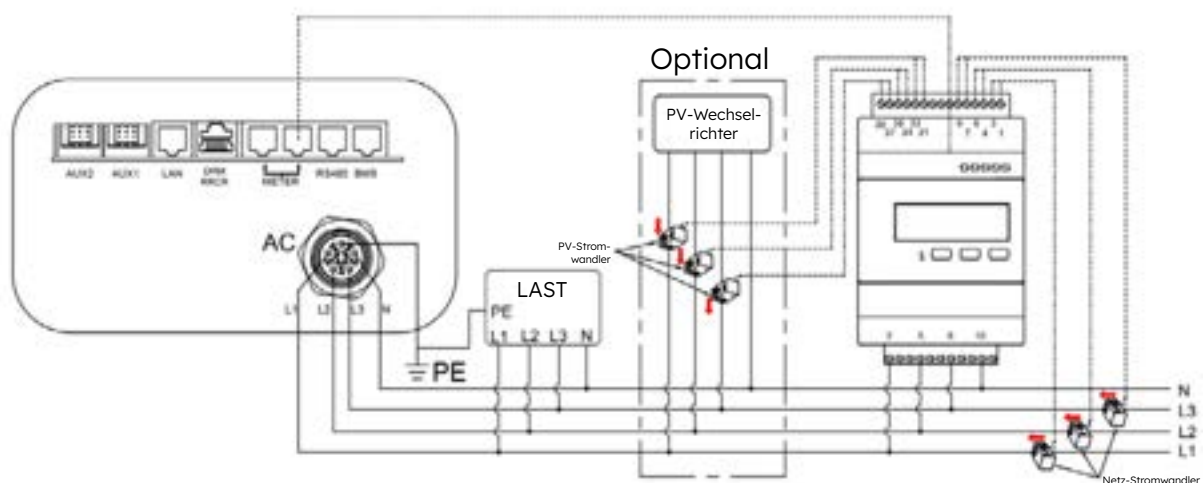
1. Nimm den Stromzähler heraus, Typ: DTSU666-3\*230 V 100 A/40 mA.
2. Bereite das Kommunikationskabel des Stromzählers vor. Anforderungen: Standard-Netzwerkkabel (empfohlener Typ: Cat5e, SFTP, UV-beständig für den Außenbereich).
3. Löse die Zugentlastungsmutter der Kabelverschraubung an der Abdeckung der COM-Anschlüsse des Wechselrichters und schraube die vier Schrauben an den Ecken ab. Dann siehst du zwei Stromzähler-Kommunikationsanschlüsse mit identischen Funktionen.



4. Führe das Zählerkabel durch die Kabelverschraubung des COM-Anschlussabdeckung. Ziehe die Zugentlastungsmutter der Kabelverschraubung nicht fest.
5. Stecke den RJ45-Stecker in den Kommunikationsanschluss mit der Bezeichnung „METER“.
6. Führe die Verkabelung des Stromzählers gemäß dem unten stehenden Schaltplan wie folgt aus. Die Anschlüsse sind auf dem Stromzähler deutlich gekennzeichnet.

#### HINWEIS

Sei beim Verkabeln und Überprüfen dieser Anschlüsse sehr vorsichtig, denn die Anschlüsse erscheinen vertauscht, wenn der Stromzähler auf der Hutschiene befestigt ist. Beachte immer die Beschriftung direkt auf dem Zähler, wenn du Stromwandler oder Netz-Referenzkabel verdrahtest.



Beschreibung der Anschlussstelle des Zählers

NETZ-STROMWANDLER	PV-Stromwandler	STROMNETZ
1-----IA* (weiß)	31-----IA* (weiß)	2-----L1
3-----IA (blau)	33-----IA (blau)	5-----L2
4-----IB* (weiß)	34-----IB* (weiß)	8-----L3
6-----IB (blau)	36-----IB (blau)	10----- N
7-----IC* (weiß)	37-----IC* (weiß)	
9-----IC (weiß)	39-----IC (blau)	

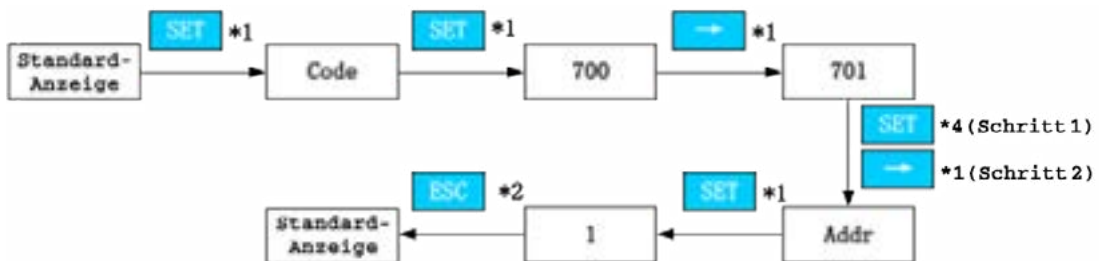
CT Group	Stromnetz -> Last						PV -> Last							
CT Phase	IA*	IA	IB*	IB	IC*	IC			IA*	IA	IB*	IB	IC*	IC
Klemme	1	3	4	6	7	9	X	X	31	33	34	36	37	39
Farbe	Weiß	Blau	Weiß	Blau	Weiß	Blau			Weiß	Blau	Weiß	Blau	Weiß	Blau

### 6.3.4.3 Konfiguration des Stromzählers

Anweisungen zur Einstellung des dreiphasigen Stromzählers:




Die Standardadresse ist 1. Der Installateur muss keine weiteren Einstellungen vornehmen. Wenn der Installateur eine Kontrolle durchführen möchte, halte dich bitte an die folgenden Schritte.



Ändere nicht das Stromzähler-Stromwandler-Verhältnis (Meter CT Ratio).



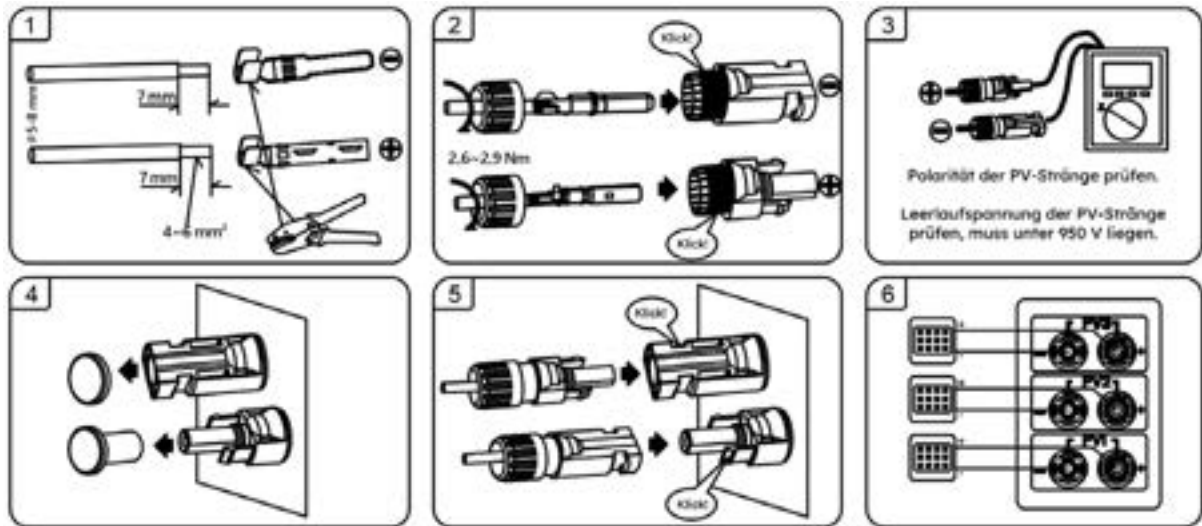
## 6.4 Anschluss an PV-Anlage

 <b>GEFAHR</b>	<p>Lebensgefahr durch Stromschlag bei Berührung von spannungsführenden Bauteilen oder DC-Leitungen</p> <p>DC-Kabel, die an einen Akku oder ein PV-Modul angeschlossen sind, können unter Spannung stehen. Das Berühren von unter Spannung stehenden Gleichstromkabeln kann zu schweren Verletzungen oder sogar zum Tod durch Stromschlag führen. So vermeidest du diese Gefahr:</p> <ul style="list-style-type: none"><li>• Trenne den Wechselrichter von Spannungsquellen und treffe vor der Durchführung etwaiger Arbeiten am Gerät Vorkehrungen dafür, dass er nicht wieder angeschlossen werden kann.</li><li>• Berühre unter keinen Umständen Teile oder Kabel ohne Isolierung.</li><li>• Trenne die DC-Steckverbinder nicht unter Last.</li><li>• Trage bei allen Arbeiten am Produkt geeignete persönliche Schutzausrüstung.</li><li>• Beachte alle Sicherheitshinweise in diesem Dokument.</li></ul>
<b>HINWEIS</b>	<p>Zerstörung des Wechselrichters durch Überspannung</p> <p>Wenn die Leerlaufspannung der PV-Module die maximale Eingangsspannung des Wechselrichters übersteigt, kann der Wechselrichter durch Überspannung zerstört werden.</p> <ul style="list-style-type: none"><li>• Wenn die Leerlaufspannung der PV-Module die maximale Eingangsspannung des Wechselrichters übersteigt, schließe keine Stränge an den Wechselrichter an und überprüfe die Auslegung der PV-Anlage.</li></ul>
<b>HINWEIS</b>	<p>Beschädigung des Produkts aufgrund eines Erdschlusses auf der Gleichstromseite während des Betriebs</p> <p>Durch die transformatorlose Topologie des Wechselrichters kann das Auftreten von Erdschlüssen auf der Gleichstromseite während des Betriebs zu irreparablen Schäden führen. Schäden am Wechselrichter, die auf eine fehlerhafte oder beschädigte Gleichstrominstallation zurückzuführen sind, werden von der Garantie nicht abgedeckt. Der Wechselrichter verfügt über eine Schutzvorrichtung, die während der Startsequenz prüft, ob ein Erdschluss besteht. Während des Betriebs ist der Wechselrichter nicht geschützt.</p> <ul style="list-style-type: none"><li>• Vergewissere dich, dass die Gleichstrominstallation korrekt ausgeführt ist und dass während des Betriebs kein Erdschluss auftritt.</li></ul>
<b>HINWEIS</b>	<p>Bei unverschlossenen PV-Eingängen kann der Wechselrichter durch das Eindringen von Sand, Staub und Feuchtigkeit beschädigt werden.</p> <p>Der Wechselrichter ist nur dann richtig abgedichtet, wenn alle ungenutzten PV-Eingänge mit Verschlussstopfen verschlossen sind. Das Eindringen von Sand, Staub und Feuchtigkeit kann den Wechselrichter beschädigen und seine Funktionalität beeinträchtigen.</p> <ul style="list-style-type: none"><li>• Verschließe alle ungenutzten PV-Eingänge mit Verschlussstopfen.</li></ul>

Überprüfe die folgenden Punkte vor dem Anschluss der PV-Stränge an den Wechselrichter:

- Stelle sicher, dass die Leerlaufspannung der PV-Stränge 950 V nicht überschreitet. Bei Missachtung dieser Voraussetzung erlischt die Garantie.
- Überprüfe die PV-Anschlüsse auf korrekte Polarität.
- Vergewissere dich, dass der PV-Schalter ausgeschaltet ist.
- Vergewissere dich, dass der PV-Ausgangswiderstand gegen Erde größer als 200 Kiloohm ist.

Der Wechselrichter verfügt über MC4-PV-Anschlüsse. Die Montage der PV-Steckverbinder ist der folgenden Abbildung zu entnehmen. Anforderungen an den Querschnitt des PV-Leiters: 4–6 mm<sup>2</sup>.



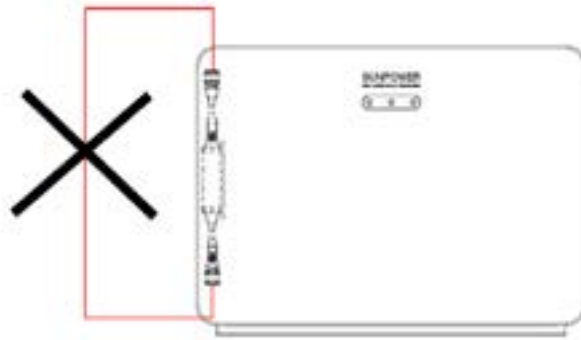
## 6.5 Elektrische Verbindung zwischen den Akkus



Es besteht Lebensgefahr durch Verbrennungen aufgrund von Lichtbögen durch Kurzschlussströme!

Kurzschlussströme im Akku können einen Hitzestau und elektrische Lichtbögen verursachen. Hitzestau und Lichtbögen können zu tödlichen Verletzungen durch Verbrennungen führen.

- Bevor Arbeiten am Akku vorgenommen werden, muss der Akku von allen Spannungsquellen getrennt werden.
- Der obere Anschluss des unteren Akkus wird mit dem unteren Anschluss des oberen Akkus verbunden. Andernfalls kommt es zu einem Kurzschluss des Akkus.
- Beachte die Sicherheitshinweise zum Akku in den Sicherheits- und Installationsanweisungen.



Die Kabel müssen in einer bestimmten Reihenfolge durch die Kabellöcher des Akkus und des Akkusockels geführt werden. Führe zuerst das BAT-Stromkabel durch die Kabellöcher, dann das Akku-Kommunikationskabel vom Akku darunter und zuletzt das Erdungskabel.

Achte unbedingt auf die Typen der Akku-Kabel.

Nr.	Abbildung	Beschreibung
1		Das schwarze Stromkabel, das vom Akku kommt, verbindet den oberen „Power+“-Anschluss des unteren Akkus mit dem unteren „Power“-Anschluss des oberen Akkus.
2		Das kurze Erdungskabel, das vom Akku kommt, verbindet die Erdungspunkte der benachbarten Akkus.
3		Das mittellange, schwarze Stromkabel des Wechselrichters verbindet den unteren „Power“-Anschluss des unteren Akkus der ersten Akku-Säule mit dem oberen „Power+“-Anschluss des obersten Akkus der zweiten Akku-Säule.
4		Das Akku-Kommunikationskabel, das vom Wechselrichter kommt, verbindet den unteren Kommunikationsanschluss des unteren Akkus der ersten Akku-Säule und den oberen Kommunikationsanschluss des obersten Akkus der zweiten Akku-Säule.

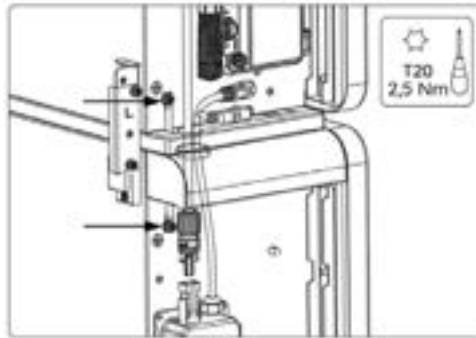
5



Das lange Erdungskabel, das vom Wechselrichter kommt, verbindet den Erdungspunkt des unteren Akkus der ersten Akku-Säule und den Erdungspunkt des untersten Akkus (oder des obersten Akkus) der zweiten Akku-Säule.

Anweisungen für die Erdungskabelverbindung zwischen benachbarten Akkus:

1. Löse die M5-Schrauben an den Erdungspunkten.
2. Verbinde die Erdungspunkte der benachbarten Akkus mit M5-Schrauben.

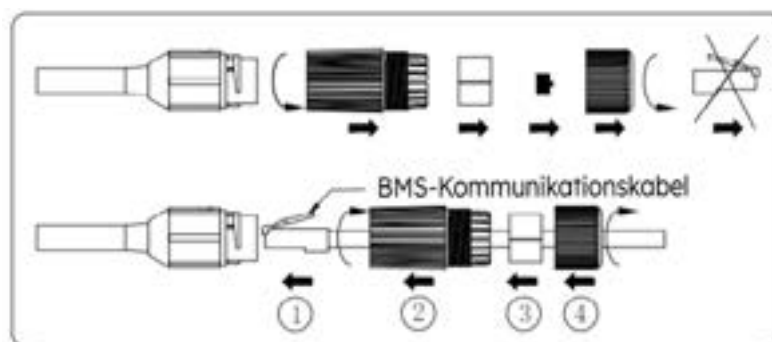


Anweisungen für den Anschluss der Stromkabel zwischen benachbarten Akkus:

1. Verbinde den oberen „Power+“-Anschluss des unteren Akkus mit dem unteren „Power-“-Anschluss des oberen Akkus mit dem mitgelieferten BAT Stromkabel. Beachte dabei die Kennzeichnung am Kabelende.

Anweisungen für den Anschluss der Kommunikationsverbindung zwischen benachbarten Akkus:

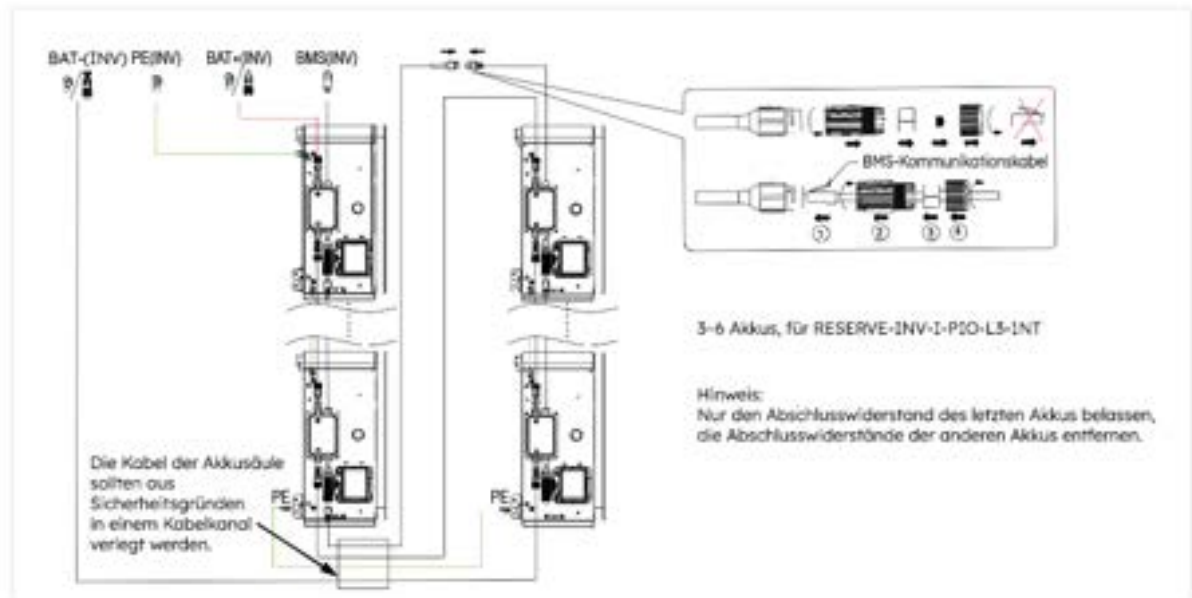
1. Nimm den Kommunikationsstecker, der sich unten links am Akku befindet, ab und zerlege ihn. Schraube die Überwurfmutter von der Gewindehülse ab, entferne den Dichtungsring, den Gummistopfen und den Abschlusswiderstand. Belasse nur den Abschlusswiderstand des letzten Akkus.
2. Führe die Überwurfmutter und die Gewindehülse über das Kommunikationskabel vom Akku darunter. Stecke den RJ45-Stecker in die RJ45-Buchse, schraube die Gewindehülse fest, führe das Kabel von der geschlitzten Seite des Dichtungsrings her ein, schiebe den Dichtungsring bis zum Ende der Gewindehülse und schraube zum Schluss die Überwurfmutter fest.



Sind zwei Akku-Säulen vorhanden, solltest du die elektrischen Anschlüsse anders vornehmen. Entferne das Erdungskabel, das Stromkabel und das Kommunikationskabel, die vom Wechselrichter kommen, und stelle die elektrische Verbindung zwischen dem unteren Akku der ersten Akku-Säule und dem oberen Akku der zweiten Akku-Säule her. In diesem Abschnitt und im Systemschaltplan auf der nächsten Seite findest du detaillierte Informationen zur Installation.

## 6.6 Elektrische Verbindung zwischen Wechselrichter und RESERVE-BAT-1-DC-4-INT

Typisches Systemschaltbild für Wechselrichter und RESERVE-BAT-1-DC-4-INT-Akkus (max. 6):



Für die Kabel, die durch die Kabellöcher des linken Akkus und des Wechselrichtersockels geführt werden, gibt es eine bestimmte Reihenfolge: Zuerst wird das positive BAT-Hauptstromkabel durch die Kabellöcher geführt, dann das Kommunikationskabel vom Akku darunter und zuletzt das Erdungskabel.

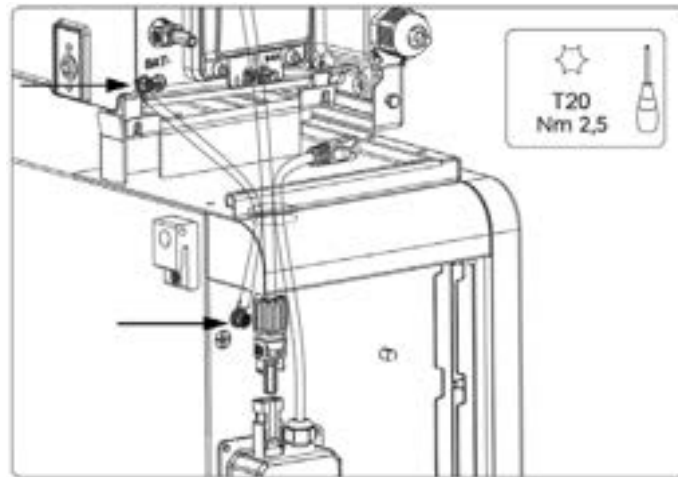
Bitte achte auf den Kabeltyp. Es gibt drei Arten von Kabeln.

Nr.	Abbildung	Beschreibung
1		Verwendung des roten Stromkabels Verbinde den BAT-Hauptplus des Akkus und den BAT-Plus des Wechselrichters
2		Das längste Stromkabel, schwarz Verbinde den BAT-Hauptminus des Akkus und den BAT-Minus des Wechselrichters
3		Das Erdungskabel Verbinde den Erdungspunkt des Wechselrichters und den Erdungspunkt des ersten Akkus.

## 6.6.1 Erdungsanschluss zwischen INV und erster BAT

Anweisungen zum Anschluss des Erdungskabels:

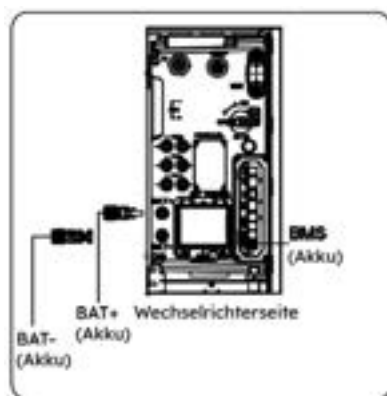
1. Löse die M5-Schrauben an den Erdungspunkten.
2. Verbinde den Erdungspunkt des Wechselrichters und den Erdungspunkt des ersten Akkus mit zwei M5-Schrauben (Werkzeug: T20-Schraubendreher, Drehmoment: 2,5 Nm).



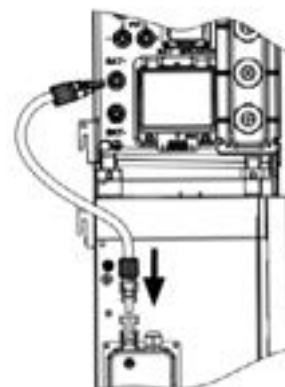
## 6.6.2 Stromverbindung zwischen INV und BAT

Anweisungen zum Anschluss der Stromkabel zwischen Wechselrichter und Akku:

1. Entferne die Schutzkappen von den BAT-Stromanschlüssen des Wechselrichters.
2. Ziehe das BAT-Hauptminuskabel heraus und stecke den Stromanschluss in den „BAT-“-Anschluss des Wechselrichters. Beachte dabei die Kennzeichnung am Kabelende.  
Verbinde auf gleiche Weise das BAT-Hauptminuskabel mit dem unteren Stromanschluss des letzten Akkus.
3. Ziehe das BAT-Hauptpluskabel heraus und stecke den Stromanschluss in den „BAT+“-Anschluss des Wechselrichters. Beachte dabei die Kennzeichnung am Kabelende. Verbinde auf gleiche Weise das BAT-Hauptpluskabel mit dem oberen Stromanschluss des ersten Akkus.



Wechselrichterseite

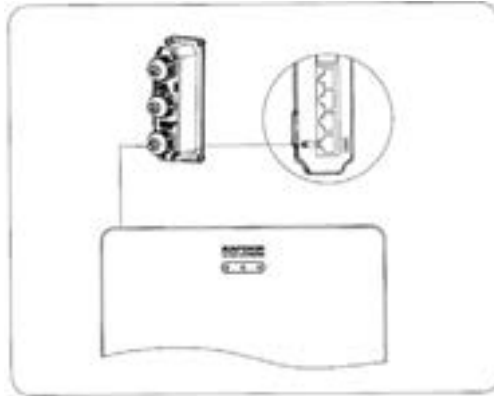


Plus-Verbindung zwischen erster BAT und INV

### 6.6.3 Kommunikationsverbindung zwischen INV und BAT

Anweisungen für das Kommunikationskabel zwischen Wechselrichter und Akku:

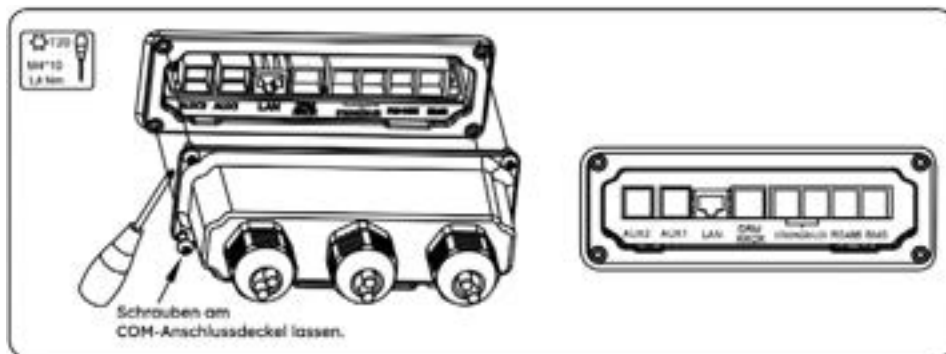
1. Führe das Kommunikationskabel des ersten Akkus durch die Kabelverschraubung der COM-Anschlussabdeckung des Wechselrichters. Ziehe die Zugentlastungsmutter der Kabelverschraubung nicht fest.
2. Stecke den RJ45-Stecker in den BMS-Kommunikationsanschluss des Wechselrichters.



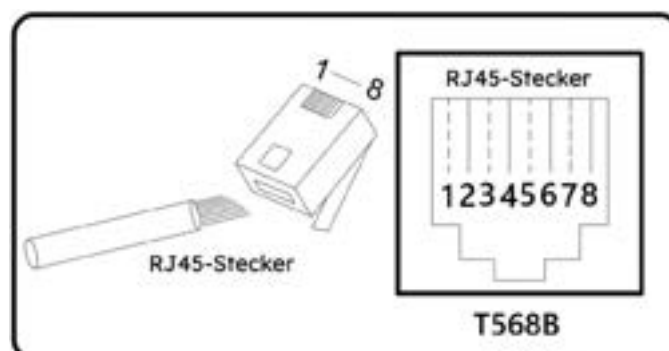
## 6.7 Andere Kommunikationsverbindung mit dem Wechselrichter

Gehe wie unten beschrieben vor, um andere Kommunikationsverbindungen (AUX2, AUX1, LAN, RRCR&DRM, Stromzähler, RS485) herzustellen.

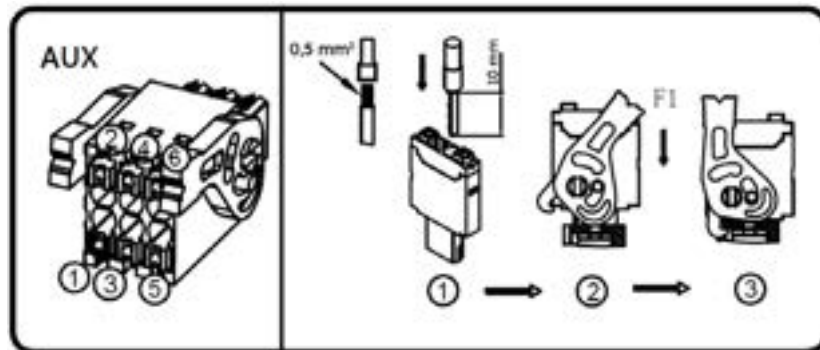
1. Löse die Kabelverschraubungen an der Abdeckung des COM-Anschlusses des Wechselrichters und drehe die vier Schrauben an der Abdeckung heraus.



2. Führe die Kommunikationskabel durch die Kabelverschraubungen der COM-Anschlussabdeckung. Ziehe die Zugentlastungsmutter der Kabelverschraubung noch nicht fest. Stecke die RJ45-Stecker in die entsprechenden RJ45-Buchsen.



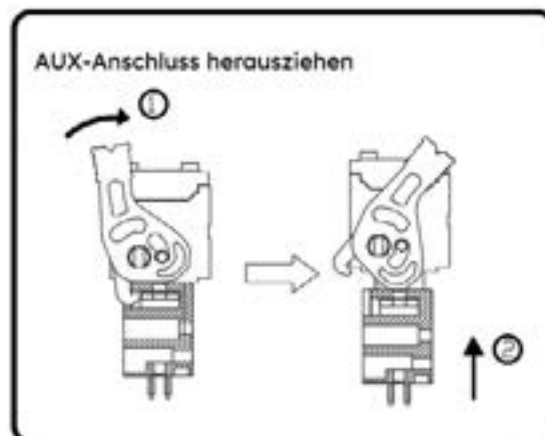
3. Die Verdrahtung des Stromzählers ist in Abschnitt 6.3.4.1 beschrieben.
4. Wenn DRM-Unterstützung erforderlich ist, darf das System nur in Verbindung mit einem Demand Response Enabling Device (DRED) verwendet werden. Dadurch wird sichergestellt, dass das System die Vorgaben des Netzbetreibers im Hinblick auf die Wirkleistungsbegrenzung jederzeit einhält. Das System und das Demand Response Enabling Device (DRED) müssen an dasselbe Netz angeschlossen sein. Für diesen RESERVE-Wechselrichter ist nur DRMO verfügbar.
5. Lege eine 6-polige Klemmenleiste für den AUX-Anschluss bereit. Die AUX-Belegung ist in der Dokumentation zur AUX-Verkabelung beschrieben.



Im Notfall, z. B. bei einem Feuer, kann der Endnutzer manuell die EPO-Taste (Emergency Power Off, Not-Aus) drücken, um den Wechselrichter herunterzufahren und den Akku auszuschalten (mit Ausnahme des PV-Moduls). Endnutzer oder Installateure sollten den externen EPO vorbereiten.

Anforderungen an das AUX-Kabel: abgeschirmtes Kupferkabel für den Außenbereich (flexibel), empfohlener Leiterquerschnitt  $0,5 \text{ mm}^2$ ; die Leiterenden sollten mit Aderendhülsen versehen werden.

Drehe zum Trennen des AUX-Anschlusses die Griffe auf beiden Seiten im Uhrzeigersinn, ziehe den AUX-Stecker ab, führe einen Schraubendreher (Klingenbreite: 1,2 mm) in die entsprechende Anschlussposition ein und ziehe den Leiter ab.





6. Platziere die COM-Anschlussabdeckung am Wechselrichtergehäuse und ziehe die vier Schrauben fest. Wenn du die Abdeckung über den Kommunikationsanschlüssen befestigst, ziehe sie fest und schiebe dann die Kommunikationskabel leicht in die Abdeckung, während du die Zugentlastungsmuttern an den Kabeln festziehst. So stellst du sicher, dass die Kommunikationskabel richtig in den RJ45-Anschlüssen sitzen.

Stiftbelegung der Kommunikationsanschlüsse:

Anschluss	Stiftnummer							
BMS	1	2	3	4	5	6	7	8
	/	RS485_ A4	/	CAN1_H	CAN1_L	/	RS485_ B4	/
RS485	1	2	3	4	5	6	7	8
	12 V	DEBUG_ RXD_ COM	GND	RS485_ B5	RS485_ B5	/	DEBUG_ TXD_ COM	/
STROMZÄHLER	1	2	3	4	5	6	7	8
	/	/	RS485_ A7	/	/	RS485_ B7	/	/
DRM	1	2	3	4	5	6	7	8
	DRED 1/5	DRED 2/6	DRED 3/7	DRED 4/8	REF GEN/0	COM LOAD/0	/	/
RRCR	1	2	3	4	5	6		
	K1	K2	K3	K4	3,3 V	/		
AUX1	1	2	3	4	5	6		
	DO1_NO	DO1_ COM	DO1_ NC	DI_ negative	DI_ positive	GND		
AUX2	1	2	3	4	5	6		
	DO2_NO	DO2_ COM	DO2_ NC	DI_ negative	DI_ positive	GND		

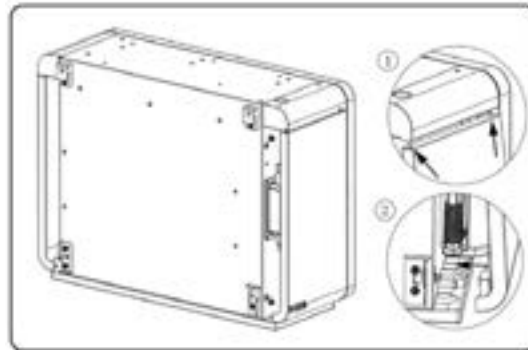
## 6.8 Montageabdeckungen für Wechselrichter und Akku

Vergewissere dich, dass alle Verkabelungen sicher sind und das System normal funktioniert. Montiere dann die Abdeckungen von Wechselrichter und Akku.

## 6.8.1 Seitenverkleidungen des Akkus montieren

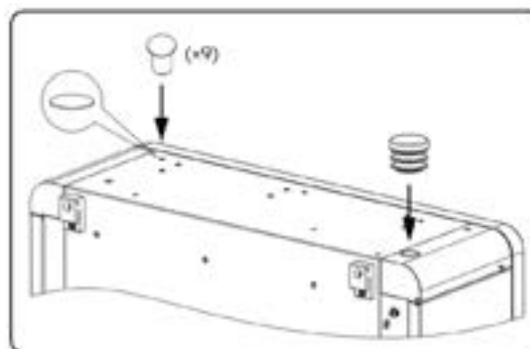
Montiere die Seitenverkleidungen des Akkus

1. Nimm die linke und die rechte Seitenplatte heraus.
2. Richte die linke Seitenplatte so aus, dass die beiden Löcher an der Oberkante der linken Seitenplatte auf die erhabenen Pins an der Unterseite des linken Griffs zeigen, und drücke dann den unteren Teil der linken Seitenplatte auf das Akkugehäuse, bis du ein „Klick“-Geräusch hörst. Gehe bei der Montage der rechten Seitenplatte analog vor.



## 6.8.2 Montage des Silikonstopfens und der Kunststoffschnalle oben am Akku

Wenn die zweite Serienakku-Säule installiert wurde, kannst du die Silikonstopfen und die Kunststoffschnalle herausnehmen und in die dafür vorgesehenen Löcher stecken, um die Optik des Akkus zu verbessern.



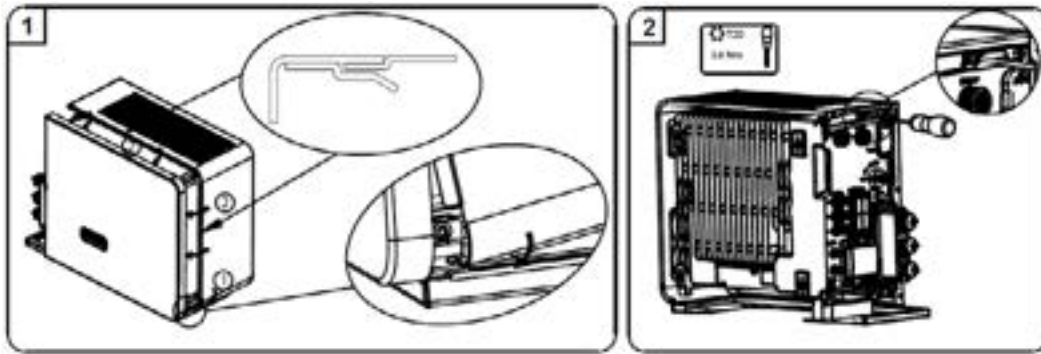
## 6.8.3 Montage der Wechselrichterabdeckungen



Seriennummer und Prüfcode des Wechselrichters befinden sich auf der rechten Seite des Wechselrichters. Vergewissere dich, dass du sie dir notiert hast, bevor du die Abdeckung montierst.

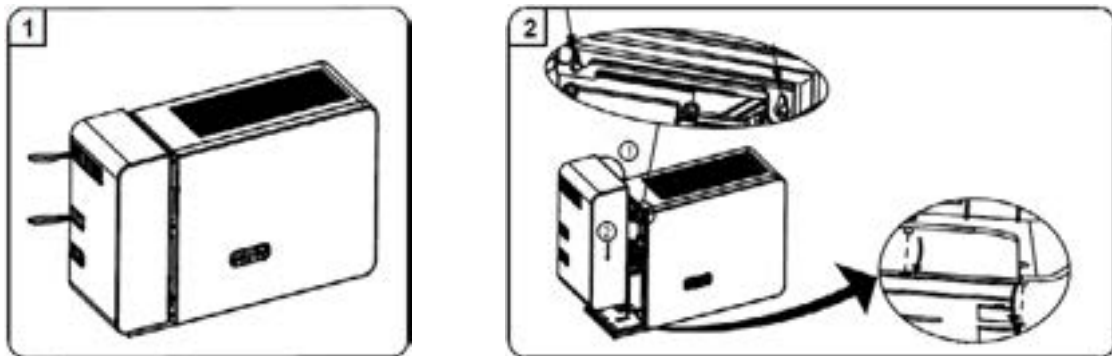
Bringe die Seitenabdeckung am Wechselrichter an.

1. Nimm die Seitenabdeckung ab.
2. Führe die rechte untere Kante der Seitenabdeckung in den Schlitz am Wechselrichtersockel ein. Schiebe die vordere Kante der Seitenabdeckung in Richtung der Kante der Wechselrichterfrontabdeckung, bis die beiden seitlichen Schrauben der Seitenabdeckung mit der Wechselrichterbefestigung fluchten (Werkzeug: T20-Schraubendreher, Drehmoment: 1,6 Nm).



Bringe die Kabelabdeckung am Wechselrichter an.

1. Nimm die Kabelabdeckung ab.
2. Platziere die Kabelabdeckung an der linken Seite des Wechselrichters. Schneide die Kabellöcher entsprechend der PV- und AC-Kabelführung aus und führe die Kabel durch die Kabellöcher.
3. Richte die Löcher auf der rechten Seite der Kabelabdeckung an den Haken auf der linken Seite der Frontabdeckung des Wechselrichters aus und schiebe die Kabelabdeckung an der Kante der Frontabdeckung nach unten.



## 7.0 Vorgehensweise zum Hoch- und Herunterfahren

### 7.1 Vorgehensweise zum Hochfahren

1. Schalte den TRENNSCHALTER DES AKKU-SYSTEMS auf OFF. Er befindet sich unten links am Wechselrichter.
2. Schalte die AKKU-SCHUTZSCHALTER aller Akkus auf ON. Sie befinden sich unten links an den Akkus.
3. Schalte die NETZVERSORGUNG des Wechselrichters auf ON.
4. Schalte die AC-BACKUP-VERSORGUNG des Wechselrichters auf ON (falls installiert).
5. Schalte den PV-Schalter (falls vorhanden) zwischen den PV-Strängen und dem Wechselrichter auf ON.
6. Schalte den PV-TRENNSCHALTER auf der linken Seite des Wechselrichters direkt unter dem WLAN-Anschluss auf ON, falls Modulfelder direkt mit dem Wechselrichter verbunden sind.
7. Schalte den PV-Schutzschalter (falls vorhanden) zwischen PV-Wechselrichter und Netz auf ON.

### 7.2 Vorgehensweise zum Herunterfahren



Nach dem Ausschalten des Energiespeichersystems besteht aufgrund von Restladung und Hitze weiterhin die Gefahr von Stromschlägen und Verbrennungen. Ziehe deshalb Schutzhandschuhe an und lasse das Produkt nach dem Ausschalten fünf Minuten abkühlen.

1. Stell den Umschalter auf MAINS, um die Stromversorgung auf Netzbetrieb umzuschalten (falls installiert).
2. Schalte die AC-BACKUP-VERSORGUNG des Wechselrichters auf OFF (falls installiert).
3. Schalte den PV-Schalter (falls vorhanden) zwischen den PV-Strängen und dem Wechselrichter auf OFF.
4. Schalte den PV-TRENNSCHALTER auf der linken Seite des Wechselrichters direkt unter dem WLAN-Anschluss auf OFF, falls Modulfelder direkt mit dem Wechselrichter verbunden sind.
5. Schalte die AKKU-SCHUTZSCHALTER aller Akkus auf OFF. Sie befinden sich unten links an den Akkus.
6. Schalte den TRENNSCHALTER DES AKKU-SYSTEMS auf OFF. Er befindet sich unten links am Wechselrichter.
7. Schalte die AC-NETZVERSORGUNG zum Wechselrichter auf OFF.
8. Schalte den PV-Schutzschalter (falls vorhanden) zwischen PV-Wechselrichter und Netz auf OFF.

### 7.3 Prüfungen vor dem Hochfahren

Nr.	Komponente	Abnahmekriterien
1	Montagebereich	Der Montageort ist für das System geeignet; der Montagebereich ist sauber und frei von Fremdkörpern.
2	Montage von Akku-Pack und Wechselrichter	Akku-Pack und Wechselrichter sind korrekt und sicher montiert.
3	Montage des WLAN-Moduls	Das WLAN-Modul ist korrekt und sicher montiert.
4	Kabelverlegung	Alle Kabel sind richtig entsprechend den Kundenanforderungen verlegt.
5	Kabelbinder	Kabelbinder sind gleichmäßig befestigt und weisen kein Grate auf.
6	Erdung	Das Erdungskabel ist korrekt und sicher angeschlossen.
7	Zustand von Schaltern und Schutzschaltern	Der PV-Schalter (falls vorhanden), die Akku-Schutzschalter und alle weiteren Schutzschalter, die mit dem Produkt verbunden sind, sind ausgeschaltet.
8	Kabelanschlüsse	AC-Kabel, PV-Kabel (falls vorhanden), Akku-Stromkabel und Kommunikationskabel sind korrekt und sicher angeschlossen.
9	Ungenutzte Anschlüsse	Ungenutzte Strom- und Kommunikationsanschlüsse sind mit wasserdichten Kappen verschlossen.

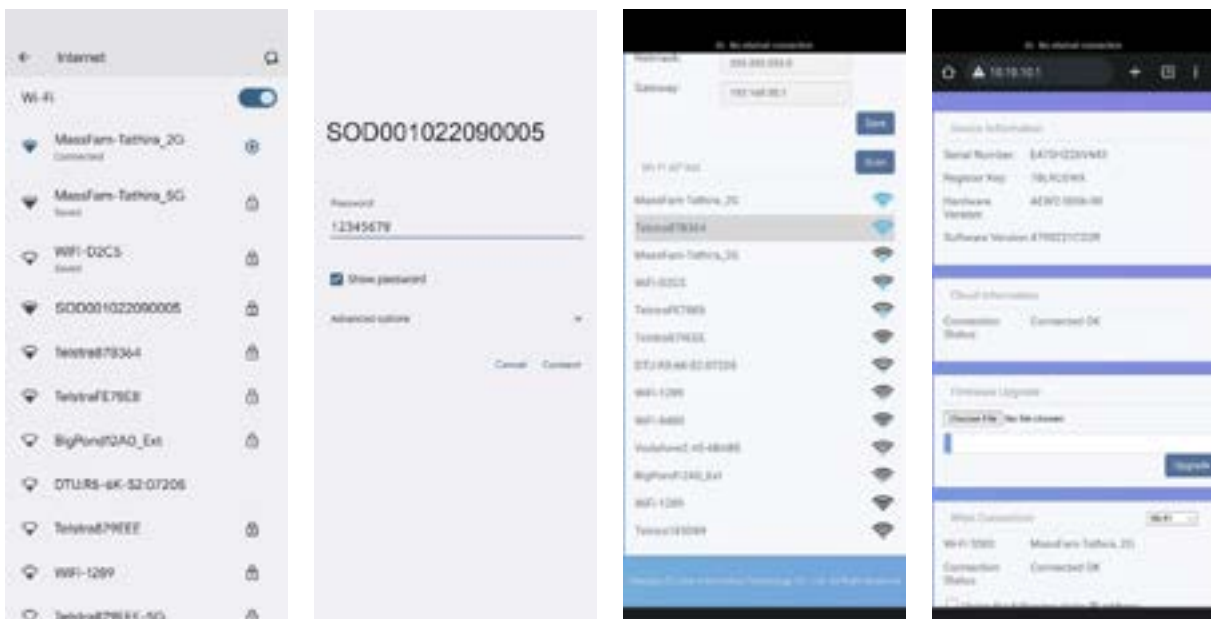
## 8.0 Einrichtung eines neuen Systems (Inbetriebnahme)

### 8.1 Verbindung des Reserve-Systems mit dem Internet

Um mit der Inbetriebnahme des soeben installierten SunPower Reserve-Systems zu beginnen, muss zunächst eine funktionierende Datenverbindung hergestellt werden. Diese wird auch für die laufende Überwachung benötigt. Das SunPower Reserve-System unterstützt zwei Arten von Datenverbindungen: Ethernet und WLAN.

Wenn du dich für eine Ethernet-Verbindung entscheidest, ist keine zusätzliche Konfiguration erforderlich. Solltest du eine WLAN-Verbindung bevorzugen, gehe wie folgt vor, um das System mit dem WLAN des Hauseigentümers zu verbinden:

1. Rufe auf deinem Mobilgerät die WLAN-Einstellungen auf und suche das WLAN des SunPower Reserve-Systems. Du erkennst das Netzwerk an der Seriennummer des Systems.
2. Stelle eine Verbindung zum Netzwerk des Reserve-Systems her. Verwende dazu das Standard-Passwort: 12345678.
3. Wenn die Verbindung hergestellt wurde, starte den Mobilgeräte-Browser und gebe die folgende IP-Adresse des SunPower Reserve-Systems ein: 10.10.10.1. Daraufhin wird eine einfache Benutzeroberfläche angezeigt, über die die Verbindung des Reserve-Systems mit dem WLAN vor Ort hergestellt werden kann.
4. Tippe auf die Option „Scan“ (Suchen) unten am Bildschirm, um nach verfügbaren Netzwerken zu suchen.
5. Wähle in der Liste der gefundenen Netzwerke das gewünschte Netzwerk aus, mit dem sich das Reserve-System verbindet, und gib das entsprechende WLAN-Passwort ein.
6. Nachdem die Verbindung erfolgreich hergestellt wurde, wird auf der Benutzeroberfläche die Bestätigungsmeldung „Connected OK“ (Verbindung in Ordnung) angezeigt.



Mit dieser Anleitung kann das SunPower Reserve-System effektiv verbunden und für den Betrieb konfiguriert werden.

Wenn die Internetverbindung des SunPower Reserve-Systems zu einem späteren Zeitpunkt aus irgendeinem Grund verloren gegangen ist (z. B. weil der Kunde das WLAN-Passwort geändert hat), kann der Kunde anhand der oben beschriebenen Schritte die Internetverbindung des SunPower Reserve-Systems zurücksetzen.

## 8.2 Herunterladen und Installieren der SunPower One-App

1. Benutzer von Android-Geräten können die SunPower One-App über Google Play herunterladen.
2. Benutzer von iOS-Geräten können die SunPower One-App aus dem App Store herunterladen.



**TIPP**

Die Tools für die Inbetriebnahme, einschließlich der Anmeldedaten, stehen nur Installateuren zur Verfügung, welche die erforderlichen Schulungsmodule absolviert haben.

## 8.3 Einschalten des Systems und Überprüfung des Systemstatus

Vergewissere dich, dass der PV-Schalter, die Akku-Schutzschalter und alle weiteren Schutzschalter, die mit dem Produkt verbunden sind, **INGESCHALTET** sind.

## 8.4 Inbetriebnahme des SunPower Reserve-Systems

Vergewissere dich zunächst, dass das SunPower Reserve-System korrekt installiert wurde und über eine funktionsfähige Datenverbindung verfügt.

Die erforderlichen Schritte für die erfolgreiche Inbetriebnahme des SunPower Reserve-Systems sind unten noch einmal zusammengefasst. Bitte beachte die folgenden Anweisungen:

1. Starte die SunPower One-App und melde dich mit deinem SunPower One-Benutzernamen (E-Mail-Adresse) und Passwort an.
2. Tippe auf dem Startbildschirm auf „Start“, um den Inbetriebnahmeprozess für ein neues System zu starten.
3. Gib im nächsten Bildschirm die E-Mail-Adresse des Kunden ein, für den du das System installierst. Die E-Mail-Adresse wird benötigt, um das Kundenkonto vorzukonfigurieren, das zum Einloggen in die SunPower One-App erforderlich ist. Lasse dir vom Kunden bestätigen, dass die E-Mail-Adresse korrekt ist und dass er über sein Mobilgerät darauf zugreifen kann.
4. Wähle die betreffende Systemkonfiguration aus (siehe Abschnitt 3.3) und folge dann den in der App angezeigten Schritten, um die Aktivierung und Konfiguration deiner Installation abzuschließen.
5. Nach Abschluss der Einrichtung erhält der Kunde eine Bestätigungs-E-Mail. Diese E-Mail enthält einen Link zur SunPower One-App, über den der Kunde sein SunPower One-Konto aktivieren kann, um die umfangreichen SunPower One-Funktionen zu nutzen.

Bitte folge den oben beschriebenen Schritten, um eine effektive Inbetriebnahme des SunPower Reserve-Systems durchzuführen.



**VORSICHT**

Der Sicherheitsstandard/Ländercode muss korrekt eingestellt sein

Wenn du einen für das Land und den Einsatzzweck ungültigen Sicherheitsstandard auswählst, kann es zu Störungen im Energiespeichersystem und zu Problemen mit dem Netzbetreiber kommen. Bei der Auswahl des Sicherheitsstandards müssen immer die vor Ort geltenden Standards und Richtlinien eingehalten und die Eigenschaften der PV-Anlage (z. B. Anlagengröße, Stromnetzanschluss) berücksichtigt werden. Wenn du dir nicht sicher bist, welcher Sicherheitsstandard für das Land und den Einsatzzweck gültig ist, wende dich an den Netzbetreiber, um weitere Informationen zur Konfiguration des korrekten Sicherheitsstandards zu erhalten.



**TIPP**

Die verfügbaren Parameter in Schritt 4 des Inbetriebnahmeprozesses sind von der ausgewählten Konfiguration abhängig. Es ist entscheidend, dass die Werte betrachtet werden, die in diesem Stadium ausschlaggebend sind.

## 8.5 Überprüfung der AC-Backup-Versorgung (falls verfügbar)

Schalte einen elektrischen Verbraucher EIN, der mit dem Backup-Ladeanschluss des Wechselrichters des Energiespeichersystems verbunden ist.

Schalte den AC-Schutzschalter am Backup-Anschluss des Wechselrichters des Energiespeichersystems EIN.

Schalte den externen AC-Schutzschalter zwischen dem Stromnetz und dem Wechselrichter des Energiespeichersystems AUS.

Das Produkt wechselt sofort in den AC-Backup-Modus.

Prüfe, ob der elektrische Verbraucher auf der Backup-Seite weiterhin mit Strom versorgt wird.



**VORSICHT**

Wenn während der Inbetriebnahme die LED-Leuchten im Anzeigefeld des Wechselrichters rot oder die LED-Leuchten in der Anzeigefeld des Akkus gelb aufleuchten, sieh bitte in Abschnitt 9.0 „Problembehebung“ nach.

## 8.6 Unterstützung des Endbenutzers bei der Installation der SunPower One-App

Vergewissere dich, dass der Hauseigentümer die App heruntergeladen und sein Konto über den Link in der Begrüßungs-E-Mail aktiviert hat.



**TIPP**

Die Garantieregistrierung des SunPower Reserve-Systems ist abgeschlossen, wenn der Endkunde sein Kundenkonto aktiviert hat.

## 9.0 Wartung und Problembehebung

### 9.1 Routinemäßige Wartungsarbeiten

Normalerweise muss das Energiespeichersystem weder gewartet noch kalibriert werden.

Um die Exaktheit des Ladezustands (SOC) aufrechtzuerhalten, empfehlen wir jedoch, den Akku alle zwei Wochen voll aufzuladen, da der SOC sonst ungenau werden kann.

Vergewissere dich vor dem Säubern, dass das System von allen Stromquellen getrennt ist. Reinige das Gehäuse, die Abdeckung und das Anzeigefeld mit einem weichen Tuch.

Um den langfristigen Betrieb des Energiespeichersystems sicherzustellen, ist es ratsam, die in diesem Abschnitt beschriebenen routinemäßigen Wartungsarbeiten durchzuführen.

#### Wartungs-Checkliste

Komponente	Abnahmekriterien	Wartungsintervall
Sauberkeit des Produkts	Das Gehäuse des Wechselrichters sollte frei von Hindernissen und Staub sein.	Einmal alle 6 bis 12 Monate
Sichtbare Schäden am Produkt	Das Produkt sollte nicht beschädigt oder verformt sein.	Einmal alle 6 bis 12 Monate
Betrieb des Produkts	<ol style="list-style-type: none"><li>Das Produkt sollte ohne ungewöhnliche Geräusche arbeiten.</li><li>Alle Parameter des Produkts sollten korrekt eingestellt sein. Überprüfe dies, während das Produkt in Betrieb ist.</li></ol>	Einmal alle 6 bis 12 Monate
Elektrische Anschlüsse	<ol style="list-style-type: none"><li>Alle Kabel sollten fest angeschlossen sein.</li><li>Alle Kabel sollten intakt sein. Insbesondere dürfen Kabelumhüllungen, die metallische Oberflächen berühren, nicht beschädigt sein.</li><li>Unbenutzte Kabelverschraubungen sollten mit Gummidichtungen verschlossen werden, die durch Druckkappen gesichert sind.</li></ol>	<p>Führe die erste Wartung 6 Monate nach der ersten Inbetriebnahme durch.</p> <p>Führe danach die Wartung alle 6 bis 12 Monate durch.</p>





Durch das heiße Gehäuse des Wechselrichters besteht Verbrennungsgefahr.

Das Gehäuse des Wechselrichters kann im Betrieb heiß werden.

- Berühre während des Betriebs außer dem Anzeigefeld keine anderen Teile.
- Warte ca. 30 Minuten, bis der Wechselrichter abgekühlt ist, bevor du ihn säuberst.

## 9.2 Problembehebung

Um die Genauigkeit des Ladezustands aufrechtzuerhalten, kann es erforderlich sein, den Akku vollständig aufzuladen. Hierdurch wird der Ladezustand zurückgesetzt.

### 9.2.1 Problembehebung für den Wechselrichter

Die Fehlercodes können im SunPower-Portal für Installateure eingesehen werden.

Fehler-Nr.	Fehlerbeschreibung	Lösung
4	Inverter_lost	Die Kommunikation mit dem Wechselrichter ist unterbrochen. <ol style="list-style-type: none"> <li>1. Starte das System neu und prüfe, ob der Fehler behoben ist.</li> <li>2. Wende dich an den Kundendienst, um das EMS- und DSP-Programm des Wechselrichters per Remote-Update zu aktualisieren. Prüfe anschließend, ob der Fehler fortbesteht.</li> <li>3. Kann der Fehler nicht behoben werden, wende dich bitte zwecks weiterer Überprüfungen an den Kundendienst.</li> </ol>
100000	Grid_OVP	<ol style="list-style-type: none"> <li>1. Prüfe, ob das Stromnetz in Ordnung ist.</li> <li>2. Überprüfe den Anschluss an das Stromnetz.</li> <li>3. Starte den Wechselrichter neu und prüfe, ob der Fehler fortbesteht.</li> </ol>
100001	Grid_UVP	
100002	Grid_OFP	
100003	Grid_UFP	
100005	BUS_OVP1	Prüfe, ob die Eingangsspannung von PV1, PV2 und PV3 1000 V übersteigt. Ist dies nicht der Fall, starte den Wechselrichter neu, um zu sehen, ob der Fehler fortbesteht. Wenn ja, wende dich bitte an den Kundendienst.
100007	Insulation_fault	<ol style="list-style-type: none"> <li>1. Prüfe, ob das PV-Kabel richtig angeschlossen ist.</li> <li>2. Prüfe, ob das PV-Kabel beschädigt ist.</li> </ol>
100008	GFCI_fault	<ol style="list-style-type: none"> <li>1. Starte den Wechselrichter neu und prüfe, ob der Fehler fortbesteht.</li> </ol>
100010	GFCI_fault	
100011	Over_Temperature	<ol style="list-style-type: none"> <li>1. Überprüfe den Bereich um den Wechselrichter auf mangelhafte Wärmeableitung.</li> <li>2. Stelle sicher, dass der Wechselrichter vorschriftsmäßig installiert ist.</li> </ol>
100012	PV_Reverse	<ol style="list-style-type: none"> <li>1. Prüfe den PV-Anschluss des Wechselrichters auf Verpolung.</li> <li>2. Ist die Polarität in Ordnung, wende dich bitte an den Kundendienst.</li> </ol>

100013	BAT_Reverse	<ol style="list-style-type: none"> <li>1. Prüfe den PV-Anschluss des Wechselrichters auf Verpolung.</li> <li>2. Ist die Polarität in Ordnung, wende dich bitte an den Kundendienst.</li> </ol>
100017	MPPT1_OVP	Prüfe die PV1-Spannung. Liegen mehr als 1000 V an, reduziere die Anzahl der PV-Module.
100021	MPPT2_OVP	Prüfe die PV2-Spannung. Liegen mehr als 1000 V an, reduziere die Anzahl der PV-Module.
100025	BAT_OVP	Prüfe, ob die tatsächliche Akkuspannung die Abschaltspannung beim Laden des Akkus um mehr als 20 V überschreitet.
100026	BAT_UVP	Prüfe, ob die tatsächliche Akkuspannung die Abschaltspannung beim Entladen des Akkus unterschreitet.
100027	Battery_lost	Vergewissere dich, dass die Verkabelung in Ordnung ist, und prüfe, ob der Abtastwert der Akkuspannung kleiner als 75 V ist.

Fehler-Nr.	Fehlerbeschreibung	Lösung
100042	Output_short_circuit	<ol style="list-style-type: none"> <li>1. Miss mit einem Multimeter die Impedanz des Off-Grid-Ausgangs. Wird ein kleiner Wert gemessen: prüfe, ob die Verkabelung in Ordnung ist.</li> <li>2. Starte den Wechselrichter neu und prüfe, ob der Fehler fortbesteht. Wenn ja, wende dich bitte an den Kundendienst.</li> </ol>
100043	Output_overload	Prüfe, ob die Last die Nennleistung überschreitet. Starte den Wechselrichter neu und prüfe, ob der Fehler fortbesteht. Wenn ja, wende dich bitte an den Kundendienst.
100052	Backup_ovp	Starte den Wechselrichter neu und prüfe, ob der Fehler fortbesteht. Wenn ja, wende dich bitte an den Kundendienst.
7	BMS lost	<p>BMS hat keine Verbindung.</p> <ol style="list-style-type: none"> <li>1. Prüfe, ob die BMS-Kommunikationsverbindung zwischen Akku und Wechselrichter in Ordnung ist.</li> <li>2. Prüfe ob der Akku eingeschaltet ist.</li> <li>3. Kann der Fehler nicht behoben werden, wende dich bitte zwecks weiterer Überprüfungen an den Kundendienst.</li> </ol>
60002	Circuit_Breaker_Open	Versuche, alle Akku-Schutzschalter einzuschalten. Wenn das Problem dadurch nicht gelöst werden kann, wende dich bitte an den Kundenservice.
60004	Slave_Battery_Communication_Lost	
60006	Master_Battery_Communication_Lost	Überprüfe die Kommunikationskabel zwischen den Akkus.
60008	Multi_Master_error	

5	Energy meter reading lost-grid side	<p>Keine Verbindung zum netzseitigen Stromzähler</p> <ol style="list-style-type: none"> <li>1. Prüfe, ob die Parameter für die Systemkonfiguration korrekt sind und der Stromzähler auf der Netzseite verwendet wird.</li> <li>2. Prüfe, ob das Kommunikationskabel des Netzstromzählers richtig angeschlossen ist (RS485: 3A6B).</li> <li>3. Prüfe, ob die Parameter für die Konfiguration der Kommunikationseinstellungen des Netzstromzählers korrekt sind (Kommunikationsadresse und Baudrate).</li> <li>4. Kann der Fehler nicht behoben werden, wende dich bitte zwecks weiterer Überprüfungen an den Kundendienst.</li> </ol>
6	Energy meter reading lost-PV side	<p>Keine Verbindung zum PV-seitigen Stromzähler</p> <ol style="list-style-type: none"> <li>1. Prüfe, ob die Parameter für die Systemkonfiguration korrekt sind und der Stromzähler auf der Seite des PV-Wechselrichters verwendet wird.</li> <li>2. Prüfe, ob die Parameter für die Konfiguration der Kommunikationseinstellungen des Stromzählers auf der Seite des PV-Wechselrichters korrekt sind (Kommunikationsadresse und Baudrate). RS485 3A6B).</li> <li>3. Prüfe, ob die Parameter für die Konfiguration der Kommunikationseinstellungen des Stromzählers auf der Seite des PV-Wechselrichters korrekt sind (Kommunikationsadresse und Baudrate).</li> <li>4. Kann der Fehler nicht behoben werden, wende dich bitte zwecks weiterer Überprüfungen an den Kundendienst.</li> </ol>

## 9.2.2 Fehlerbeschreibung für den Wechselrichter

















In der oberen Reihe befinden sich die folgenden vier LEDs: System (SYS), Akku (BAT), Stromzähler (METER) und Kommunikation (COM).

Die fünf LEDs in der unteren Reihe haben zwei Funktionen:

Anzeige des Ladezustands (SOC) aller Akkus im Energiespeichersystem

Bei einem Fehler wird der entsprechende Fehlercode angezeigt. Von rechts nach links entsprechen die LEDs den folgenden Zahlen: 1, 2, 4, 8, 16.

LED-Leuchte	Fehlercode	Anzeige	Beschreibung
Rote SYS-LED blinkt schnell	4		1. Keine Verbindung zum Wechselrichter
Rote SYS-LED leuchtet; METER-LED blinkt schnell, wenn die Verbindung zum Netzstromzähler unterbrochen ist. Rote SYS-LED leuchtet;	5		Keine Verbindung zum Netzstromzähler
METER-LED blinkt langsam, wenn die Verbindung zum PV-Stromzähler unterbrochen ist; METER-LED ist ausgeschaltet, wenn die Verbindung zu allen Stromzählern unterbrochen ist.	6		Keine Verbindung zum PV-Stromzähler
Rote SYS-LED leuchtet, BAT-LED ist aus	7		1. Keine Verbindung zum BMS
Wechselrichter defekt, rote SYS-LED blinkt schnell	100000		Grid_OVP
Wechselrichter defekt, rote SYS-LED blinkt schnell	100001		Grid_UVP
	100002		Grid_OFP
	100003		Grid_UFP
Wechselrichter defekt, rote SYS-LED blinkt schnell	100005		BUS_OVP1
	100007		Insulation_fault
	100008		GFCI_fault

	100010		Grid_relay_fault
	100011		Over_Temperature
	100012		PV_Reverse
	100013		BAT_Reverse
	100017		MPPT1_OVP
	100021		MPPT2_OVP
Wechselrichter defekt, rote SYS-LED blinkt schnell	100025		BAT_OVP
	100026		BAT_UVP
	100027		Battery_lose
	100042		Output_short_circuit
	100043		IOutput_overload
	100052		Backup_ovp
Rote SYS-LED leuchtet, BAT-LED blinkt bei defektem Akku	60002		Circuit_Breaker_Open
	60004		Slave_Battery_ Communication_Lost
	60006		Master_Battery_ Communication_Lost
Rote SYS-LED leuchtet, BAT-LED blinkt bei defektem Akku	60008		Multi_Master_error



#### TIPP


1. In der ersten Reihe befinden sich die folgenden vier LEDs: System (SYS), Akku (BAT), Stromzähler (METER) und Kommunikation (COM).
2. Die fünf LEDs in der zweiten Reihe haben zwei Funktionen:
  - Anzeige des Akku-Ladezustands
  - Bei einem Fehler wird der entsprechende Fehlercode angezeigt.

## 9.2.3 Beschreibung des Akku-Schutzes

Die drei LED-Anzeigen an der Vorderseite des Akkus zeigen den Schutzstatus des Akkus an.

Symbol	Beschreibung
	LED blinkt gelb
	LED leuchtet gelb
	LED ist ausgeschaltet

Status der LED-Anzeige	Beschreibung	Problembesehung
	Temperatur-schwankungen	Warte, bis die automatische Wiederherstellung abgeschlossen ist. Wenn dieser Schutzstatus andauert, rufe bitte den Kundendienst an.
	Hohe Temperatur	Beende den Entlade-/Ladevorgang, bis dieser Schutzstatus nicht mehr besteht, und warte, bis die Temperatur gesunken ist.
	Entladen bei niedrigen Temperaturen	Beende den Entlade-/Ladevorgang, bis dieser Schutzstatus nicht mehr besteht, und warte, bis die Temperatur gestiegen ist.
	Überstromladung	Warte, bis die automatische Wiederherstellung abgeschlossen ist.
	Überstromentladung	Wenn dieser Schutzzustand nicht behoben werden kann, rufe bitte den Kundendienst an.
	Zellenüberspannung	Warte, bis die automatische Wiederherstellung abgeschlossen ist. Wenn dieser Schutzstatus für längere Zeit andauert, rufe bitte den Kundendienst an.
	Zellenunterspannung	Beende den Entladevorgang und wende dich umgehend an den Kundendienst.
	Laden bei niedrigen Temperaturen	Beende den Entladevorgang, bis die Anzeige erloschen ist, und warte, bis die Temperatur gestiegen ist.





<b>HINWEIS</b>	<p>Wenn im Arbeitsmodus der Schutzstatus „Zellenunterspannung“  erscheint, ergreife bitte die folgenden Maßnahmen:</p> <p>Schalte zuerst den Schutzschalter aus, der sich unten links am Akku befindet, schalte den Schutzschalter ein und warte 3–5 s, schalte den Schutzschalter aus, schalte dann den Schutzschalter ein und warte 3–5 s, schalte den Schutzschalter aus, schalte zuletzt den Schutzschalter des Akkus ein. Das BMS wird gezwungen, den MOSFET für die Entladung einzuschalten, damit der Wechselrichter die Leerlaufspannung des Akkus ermitteln und mit dem Laden des Akkus beginnen kann.</p>
----------------	--

## 9.2.4 Fehlerbeschreibung für den Akku

Die drei LED-Anzeigen an der Frontabdeckung zeigen den Fehlerstatus des Akkus an.

Symbol	Beschreibung
	LED blinkt gelb
	LED leuchtet gelb
	LED ist ausgeschaltet

Status der LED-Anzeige	Beschreibung	Problembesehung
	Hardwarefehler	Warte, bis die automatische Wiederherstellung abgeschlossen ist.
	Hardwarefehler	Wenn dieser Fehler fortbesteht, rufe bitte den Kundendienst an.
	Schutzschalter offen	Schalte den Schutzschalter ein, nachdem du den Akku ausgeschaltet hast.
	LMU getrennt (Follower)	Schließe das BMS-Kommunikationskabel wieder an.
	SN fehlt	Bitte rufe den Kundendienst an.
	LMU getrennt (Host)	Schließe das BMS-Kommunikationskabel wieder an.
	Software-Version inkonsistent	Bitte rufe den Kundendienst an.
	Multi-Host	Starte alle Akkus neu.

	MOS-Übertemperatur	Schalte den Akku aus und warte 30 Minuten, bevor du ihn erneut einschaltest.
	Isolationsfehler	Starte den Akku neu. Falls dieser Fehler fortbesteht, rufe bitte den Kundendienst an.
	Gesamtspannung fehlerhaft	Starte den Akku neu. Falls dieser Fehler fortbesteht, rufe bitte den Kundendienst an.
	Precharge-Fehler	Starte den Akku neu. Falls dieser Fehler fortbesteht, rufe bitte den Kundendienst an.



## 10.0 Demontage und Rücksendung

### 10.1 Abbauen des Produkts

Folge der Beschreibung in diesem Abschnitt, wenn das Energiespeichersystem am Ende seiner Nutzungsdauer vollständig außer Betrieb genommen werden soll.

1. Schalte das Energiespeichersystem AUS. Folge dazu den Anweisungen in Kapitel 7.2 „Vorgehensweise zum Herunterfahren“.
2. Entferne die Kabelabdeckung des Wechselrichters.  
Entferne die linken Seitenplatten der Akkus.
3. Warte 30 Minuten, bis das Gehäuse des Wechselrichters abgekühlt ist
4. Ziehe alle Kabel vom System ab, einschließlich der Kommunikationskabel, PV-Stromkabel, Akku-Stromkabel, Wechselstromkabel und PE-Kabel.
5. Entferne das WLAN-Modul.
6. Entferne die Seitenabdeckung des Wechselrichters.
7. Entferne den Wechselrichter von der Oberseite des Akkus.
8. Entferne die rechten Seitenplatten der Akkus.
9. Entferne die Akkus.
10. Wenn die Akkus mit der Sockeleinheit des Systems montiert wurden, entferne die Wandverbindungsplatte des Akkus.  
entferne die Wandverbindungsplatte der Sockeleinheit des Systems.  
entferne die Sockeleinheit des Systems.
11. Entferne die Wandhalterungen der Akkus, falls vorhanden.

### 10.2 Verpacken des Produkts

Wenn die Originalverpackung vorhanden ist: Lege das Produkt in den Karton und verschließe ihn mit Klebeband.

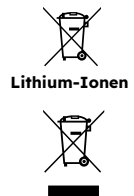
Wenn die Originalverpackung nicht mehr vorhanden ist: Lege das Produkt in einen geeigneten Karton und verschließe ihn gut.

### 10.3 Entsorgen des Produkts

Entsorge das Produkt am Ende seiner Nutzungsdauer gemäß den örtlichen Vorschriften für die Entsorgung von Elektro- und Elektronik-Altgeräten.

Entsorge das Verpackungsmaterial und die ausgetauschte Teile gemäß den jeweiligen Vorschriften am Installationsort des Gerätes.

Das Produkt darf nicht im normalen Hausmüll entsorgt werden.



## 11.0 Technische Daten

### 11.1 Datenblatt des Wechselrichters

Komponente	RESERVE-INV-1-P10-L3-INT
<b>DC-Eingang (Seite der PV-Anlage)</b>	
Empfohlene max. PV-Leistung	20.000 W
Max. PV-Eingangsspannung	1.000 V
Nennspannung	720 V
Anlaufspannung	120 V
MPPT-Spannungsbereich	140–950 V
Max. Eingangsstrom pro MPPT	16 A/16 A/16 A
Max. Kurzschlussstrom pro MPPT	24 A/24 A/24 A
MPPT-Anzahl	3
Überspannungskategorie gemäß IEC 62109-1	II
<b>Batterie bzw. Akku</b>	
Akku-Typ	LFP (LiFePO4)
Batteriespannungsbereich	160–700 V
Max. Ladeleistung	10 kW
Max. Entladeleistung	10 kW
Max. Lade-/Entladestrom	40 A/40 A
Kommunikation	CAN
<b>AC-Ausgang (Backup, Netzbetrieb)</b>	
Nennausgangsleistung	10 kW
Nennausgangsscheinleistung	10 kVA
Nennausgangsstrom @ 230 V	14,5 A
Max. kontinuierliche Ausgangsleistung	15 kW
Max. kontinuierliche Nennausgangsleistung	15 kVA

Max. Ausgangsstrom	21,7 A
Ausgangsnennspannung	3L/N/PE, 380/400 V
Nennfrequenz	50/60 Hz
<b>AC-Ausgang (Backup)</b>	
Nennausgangsleistung	10 kW
Nennausgangsscheinleistung	10 kVA
Nennausgangsstrom @ 230 V	14,5 A
Max. kontinuierliche Ausgangsleistung	11 kW
Max. kontinuierliche Nennausgangsleistung	11 kVA
Ausgangsleistung ≤ 30 s	15 kW
Ausgangsscheinleistung ≤ 30 s	15 kVA
Umschaltung auf Backup-Versorgung	< 20 ms
Nennspannung	3L/N/PE, 380/400 V
Nennfrequenz	50/60 Hz
<b>AC-Eingang (Netzseite)</b>	
Ausgangsnennspannung	3L/N/PE, 380/400 V
Nennfrequenz des Stromnetzes	50/60 Hz
Eingangsnennleistung	10 kW
Max. Eingangsleistung	15 kW
Max. Eingangsstrom	21,7 A
<b>AC-Ausgang (Netzseite)</b>	
Nennausgangsleistung	10 kW
Nennausgangsscheinleistung	10 kVA
Nennausgangsstrom @ 230 V	14,5 A
Betriebsphase	Dreiphasig
Nennspannung des Stromnetzes	3L/N/PE, 380/400 V
AC-Spannungsbereich	150–288 V
Nennfrequenz des Stromnetzes	50/60 Hz

Leistungsfaktor	> 0,99 (0,8 voreilend bis 0,8 nachteilend)
Schutzklasse	I
Überspannungskategorie	III
Überspannungskategorie gemäß IEC 60664-1	II
<b>Wirkungsgrad</b>	
Max. Wirkungsgrad, $\eta_{\max}$	98,0 %
Europäische gewichteter Wirkungsgrad, $\eta_{\text{EU}}$	97,2 %
<b>Schutz</b>	
Anti-Inselbildungsschutz	Integriert
Isolationswiderstand-Erkennung	Integriert
Fehlerstromüberwachung	Integriert
Ausgangsüberstromschutz	Integriert
Ausgangskurzschlusschutz	Integriert
Ausgangsüberspannungsschutz	Integriert
PV-Verpolungsschutz	Integriert
PV-Überspannungsschutz	Integriert
PV-Schalter	Integriert
Akku-Schutzschalter	Integriert
<b>Allgemeine Daten</b>	
Abmessungen (B x T x H)	610 x 416 x 212,5 mm
Gewicht	29 kg
Topologie	Transformatorlos
Betriebstemperaturbereich	-25 °C bis 60 °C
Max. zulässige relative Luftfeuchte (kondensierend)	100 %
IP-Schutzklasse	IP65
Anzeige	LED
Geräuschemissionen	< 30 dB(A) bei 1 Meter Abstand

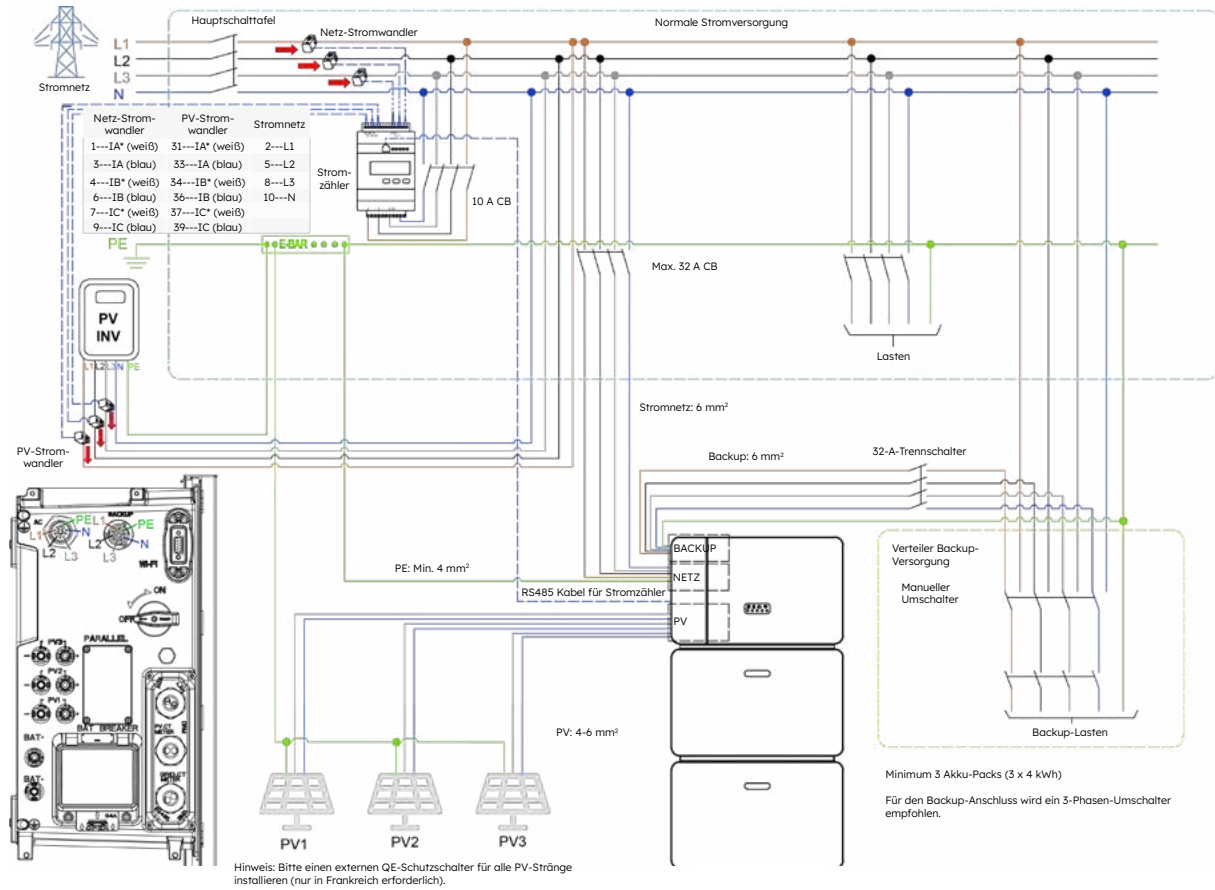
Kühlkonzept	Natürliche Konvektion
Max. Betriebshöhe über MSL	3000 m
<b>Eigenschaften</b>	
Anschluss an PV-Anlage	MC4-Anschlüsse
Netzanschluss	Steckverbinder
Backup-Anschluss	Steckverbinder
Akku-Anschluss	Amphenol-H4-Anschlüsse
Kommunikation	LAN, WLAN, RS485

## 11.2 Datenblatt des Akkus

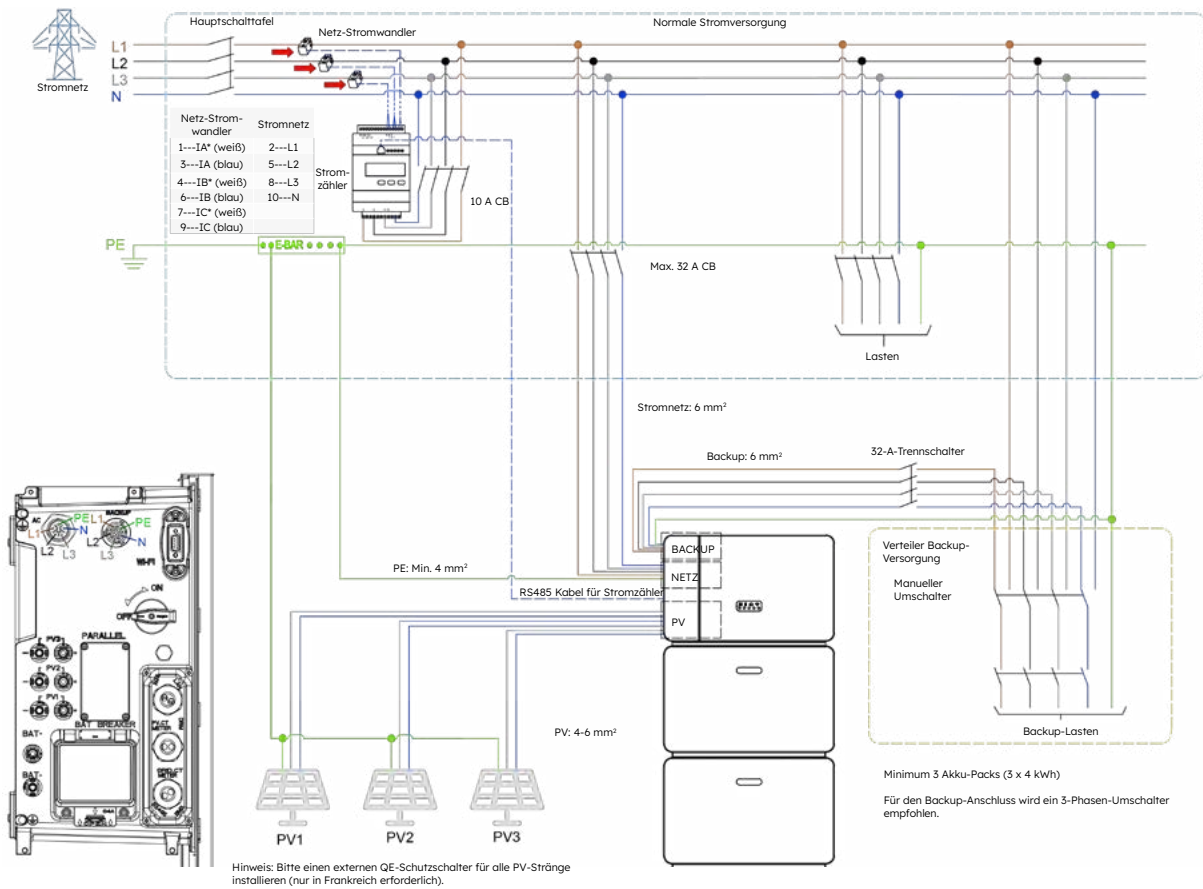
Komponente	RESERVE-BAT-1-DC-4-INT
<b>Allgemeine Daten</b>	
Akku-Typ	LFP (LiFePO4)
Gewicht	44 kg
Abmessungen (B x T x H)	610 x 451 x 212.5 mm
IP-Schutzklasse	IP65
Installierte Energie	4,0 kWh
Nutzbare Energie	3,8 kWh
DoD	95 %
Nennspannung	96 V
Betriebsspannungsbereich	90-108 V
Max. Ladestrom*	42 A
Max. Entladestrom*	42 A
Betriebstemperaturbereich	Laden: $0\text{ °C} < T \leq 50\text{ °C}$ Entladen : $-10\text{ °C} < T \leq 50\text{ °C}$
Überwachungsparameter	Systemspannung, Strom, Zellenspannung, Zelltemperatur
BMS-Kommunikation	CAN
<b>System</b>	
Sicherheit	IEC62619/IEC63056/IEC62040
Transport	UN38.3

## 12.0 Anhang 1: Systemschaltplan

### 12.1 Reserve 3-phasig mit Umschalter, hybrid gekoppelt mit 3-phasigem PV-Wechselrichter und Energiezähler (EU)



## 12.2 Reserve 3-phasig, DC-gekoppelt mit Energiezähler (EU)





## 13.0 Anhang 2: Regionale Anwendungsnormen

Bitte erkundige dich beim lokalen Netzbetreiber nach der jeweiligen regionalen Anwendungsnorm. Die Qualitätsmodi Volt-VAR und Volt-Watt werden automatisch ausgeführt. (Nur für Regionen mit Sicherheitsvorschriften nach AS/NZW 4777.2).

Land (DNSP)	Sicherheitsstandard	Regionseinstellung
Ausgrid, Ausnet, Citipower, Endeavour Energy, Energex, Ergon, Essential Energy, Evoenergy, Jemena, SA Power Networks, PowerCor, United Energy	AS/NZS 4777.2: 2020	Australien A
Western Power	AS/NZS 4777.2: 2020	Australien B
Horizon Power und TasNetworks	AS/NZS 4777.2: 2020	Australien C
Neuseeland	AS/NZS 4777.2: 2020	Neuseeland
Deutschland	VDE 4105/11.18	Deutschland
Italien	CEI 0-21	Italien
Spanien	RD1699/UNE	Spanien
Belgien	C10/C11	Belgien
Niederlande	EN50549	Niederlande
Frankreich	EN50549	Frankreich
Österreich	TOR25	Österreich

# SunPower Reserve

## Sistema di accumulo domestico



## Istruzioni di sicurezza e installazione per SunPower Reserve trifase

552687 Revisione B  
Pubblicato a giugno 2024

Il presente documento è valido per l'installazione del sistema energetico domestico SunPower Reserve trifase, che comprende:

- Inverter: RESERVE-INV-1-P10-L3-INT
- Batteria: RESERVE-BAT-1-DC-4-INT
- Misuratore di energia: CHINT-DTSU666-AC-L3-INT

Il presente documento illustra il montaggio, l'installazione, la messa in servizio, la configurazione, il funzionamento, la risoluzione dei problemi e la disattivazione dei prodotti, nonché il funzionamento della loro interfaccia utente. La documentazione acclusa è parte integrante del prodotto. Conservala in un luogo comodo per future necessità e rispetta tutte le istruzioni in essa fornite.

Le illustrazioni contenute in questo documento sono ridotte alle informazioni essenziali e possono differire dal prodotto reale.



Per la versione più recente fare riferimento a  
[www.sunpower.maxeon.com/int/InstallGuideReserve3P](http://www.sunpower.maxeon.com/int/InstallGuideReserve3P)  
Ci riserviamo di modificare senza preavviso i presenti contenuti.  
Maxeon Solar Technologies, Ltd.  
[sunpower.maxeon.com/it](http://sunpower.maxeon.com/it)

<b>1.0</b>	<b>Introduzione</b>	<b>166</b>
1.1	Esclusione di responsabilità	166
1.2	Licenza open source.	166
1.3	Tipologia dei messaggi	166
1.4	Definizione di abbreviazioni e sostantivi	167
<b>2.0</b>	<b>Sicurezza</b>	<b>168</b>
2.1	Uso previsto	168
2.2	Istruzioni di sicurezza per la batteria	168
2.2.1	Precauzioni di sicurezza generali	168
2.2.2	Risposta alle situazioni di emergenza.	169
2.3	Istruzioni importanti relative alla sicurezza	170
2.4	Spiegazione dei simboli.	172
<b>3.0</b>	<b>Introduzione al prodotto e scenari di applicazione</b>	<b>174</b>
3.1	Introduzione all'aspetto del sistema	174
3.2	Descrizione dell'inverter.	175
3.2.1	Introduzione all'interfaccia elettrica dell'inverter	175
3.2.2	Interfaccia display inverter.	176
3.3	Descrizione della batteria.	178
3.3.1	Introduzione all'interfaccia elettrica della batteria	178
3.3.2	Introduzione al display della batteria.	179
3.4	Scenari di applicazione	180
3.4.1	Sistema di accumulo ad accoppiamento in corrente continua	180
3.4.2	Sistema di accumulo ad accoppiamento in corrente alternata	181
3.4.3	Sistema di accumulo ad accoppiamento ibrido.	181
<b>4.0</b>	<b>Stoccaggio e trasporto</b>	<b>182</b>
4.1	Accumulo	182
4.2	Trasporto	183
<b>5.0</b>	<b>Montaggio</b>	<b>183</b>
5.1	Controllo dell'imballaggio esterno.	183
5.2	Dotazione.	183
5.3	Contenuto della confezione.	183
5.4	Preparazione di strumenti e attrezzi.	185
5.5	Requisiti per il montaggio	186
5.6	Montaggio del sistema di accumulo di energia	189
5.6.1	Montaggio della batteria con staffa a parete	189
5.6.2	Istruzioni per lo smontaggio della batteria montata con staffa a parete	192
5.6.3	Montaggio della batteria utilizzando il supporto a pavimento	193
5.6.4	Montaggio dell'inverter sopra la batteria.	197
5.6.5	Montaggio dell'inverter su una staffa a parete	198
5.6.6	Montaggio della batteria per applicazioni Battery Ready	199
5.6.7	Montaggio del modulo Wi-Fi.	201

<b>6.0</b>	<b>Collegamento elettrico</b>	<b>202</b>
6.1	Requisiti dei cavi (non inclusi)	202
6.2	Collegamento a terra	202
6.3	Collegamento AC	203
6.3.1	Requisiti per il collegamento AC	203
6.3.2	Scelta dell'interruttore AC adatto	204
6.3.3	Collegamento alla rete e di backup	205
6.3.4	Collegamento del misuratore di energia	206
6.3.4.1	Valore nominale del misuratore di energia	206
6.3.4.2	Cablaggio del misuratore	207
6.3.4.3	Configurazione del misuratore	208
6.4	Collegamento FV	209
6.5	Collegamento elettrico tra batterie	211
6.6	Collegamento elettrico tra inverter e RESERVE-BAT-1-DC-4-INT	213
6.6.1	Collegamento a terra tra INV e prima BAT	214
6.6.2	Collegamento di potenza tra INV e BAT	214
6.6.3	Collegamento di comunicazione tra INV e BAT	215
6.7	Altri collegamenti dei sistemi di comunicazione con l'inverter	215
6.8	Montaggio delle cover dell'inverter e della batteria	217
6.8.1	Montaggio delle piastre laterali della batteria	218
6.8.2	Montaggio dei tappi in silicone e in plastica sulla parte superiore della batteria	218
6.8.3	Montaggio delle cover dell'inverter	218
<b>7.0</b>	<b>Procedura di avvio e spegnimento</b>	<b>219</b>
7.1	Procedura di avvio	219
7.2	Procedura di spegnimento	219
7.3	Controlli prima dell'avvio	220
<b>8.0</b>	<b>Configurazione di un nuovo sistema (messa in servizio)</b>	<b>221</b>
8.1	Collegamento di Reserve a Internet	221
8.2	Download e installazione dell'app SunPower One	222
8.3	Accensione e controllo dello stato del sistema	222
8.4	Messa in servizio di SunPower Reserve	222
8.5	Controllo del backup CA (se disponibile)	223
8.6	Istruire l'utente finale riguardo all'installazione dell'app SunPower One	223
<b>9.0</b>	<b>Manutenzione e risoluzione dei problemi</b>	<b>224</b>
9.1	Manutenzione ordinaria	224
9.2	Risoluzione dei problemi	225
9.2.1	Risoluzione degli errori dell'inverter	225
9.2.2	Descrizione degli errori dell'inverter	228
9.2.3	Descrizione della protezione della batteria	230
9.2.4	Descrizione degli errori della batteria	231

<b>10.0</b>	<b>Disinstallazione e restituzione</b>	<b>233</b>
10.1	Rimozione del prodotto	233
10.2	Imballaggio del prodotto	233
10.3	Smaltimento del prodotto	233
<b>11.0</b>	<b>Dati tecnici</b>	<b>234</b>
11.1	Scheda tecnica dell'inverter	234
11.2	Scheda tecnica della batteria	238
<b>12.0</b>	<b>Appendice 1: Schema elettrico sistema</b>	<b>239</b>
12.1	Sistema Reserve trifase, inclusi commutatore, ibrido accoppiato con inverter FV trifase e contatore di energia (UE)	239
12.2	Sistema Reserve trifase con accoppiamento in DC e misuratore di energia (UE)	240
<b>13.0</b>	<b>Appendice 2: Riferimento norme nazionali</b>	<b>241</b>

## 1.0 Introduzione

### 1.1 Esclusione di responsabilità

Questo documento è destinato alle persone qualificate e agli utenti finali.

Le operazioni contrassegnate dal simbolo di PERICOLO o ATTENZIONE possono essere eseguite solo da personale qualificato. Gli utenti finali privi di qualifiche specifiche possono eseguire qualsiasi attività non contrassegnata.

Requisiti delle persone qualificate:




- Conoscenza del funzionamento di un inverter
- Conoscenza del funzionamento delle batterie
- Formazione su come gestire i pericoli e i rischi associati all'installazione, alla riparazione e all'utilizzo di dispositivi, batterie e impianti elettrici
- Formazione relativa all'installazione e alla messa in servizio di dispositivi e impianti elettrici
- Conoscenza delle leggi, delle norme e delle direttive di installazione vigenti nella nazione
- Conoscenza del presente documento e osservanza delle indicazioni in esso contenute, incluse tutte le precauzioni di sicurezza
- Conoscenza dei documenti del produttore della batteria e osservanza delle indicazioni in essi contenute, incluse tutte le precauzioni di sicurezza

### 1.2 Licenza open source

Questo prodotto contiene software open source sviluppato da terze parti e concesso in licenza tramite veicoli quali GPL e/o LGPL. Per maggiori dettagli, un elenco dei software open source utilizzati e i relativi testi della licenza, consultare la sezione Licenze nella nostra app SunPower e sul sito web di Maxeon (<https://corp.maxeon.com/legal>).

### 1.3 Tipologia dei messaggi

Quando si maneggia il prodotto, potrebbero presentarsi i seguenti tipi di messaggio:

 <b>PERICOLO</b>	Il termine PERICOLO indica una situazione di pericolo che, se non viene evitata, può causare morte o lesioni gravi.
 <b>ATTEN- ZIONE</b>	ATTENZIONE indica una situazione che, se non viene evitata, può provocare danni materiali e/o lesioni di lieve o media entità.
 <b>SUGGERI- MENTO</b>	Un SUGGERIMENTO fornisce informazioni per l'installazione e il funzionamento ottimale del prodotto.

## 1.4 Definizione di abbreviazioni e sostantivi

Abbreviazione	Descrizione
AC	Corrente alternata
AUX	Porta ausiliaria
BAT	Batteria
BMS	Sistema di gestione della batteria
TA	Trasformatori di corrente
DC	Corrente continua
DNSP	Fornitore di servizi di rete distribuiti
DRM	Modalità di risposta alla domanda
RRCR	Ricevitore controllo ondulazione radio
EMS	Sistema di gestione dell'energia
INV	Inverter
LED	Diodo a emissione di luce
FV	Fotovoltaico
SOC	Stato di carica

## 2.0 Sicurezza

### 2.1 Uso previsto

Prodotto/i	Uso previsto e requisiti di installazione
<b>Il sistema SunPower Reserve comprende:</b> <ul style="list-style-type: none"><li>• <b>RESERVE-INV-1-P10-L3- INT</b></li><li>• <b>RESERVE-BAT-1-DC-4- INT</b></li><li>• <b>CHINT-DTSU666-AC-L3-INT</b></li></ul>	<p>Il sistema SunPower Reserve è destinato all'installazione in abitazioni residenziali per ottimizzare l'autoconsumo.</p> <p>È adatto per l'installazione in ambienti interni ed esterni.</p> <p>Tutti i componenti devono operare in uno scenario adatto al loro funzionamento. Qualsiasi utilizzo del prodotto diverso da quello descritto in questa sezione non è considerato corretto. Assicurarsi di utilizzare questo prodotto in conformità con le informazioni fornite nei documenti di accompagnamento e con gli standard e le direttive locali.</p> <p>Qualsiasi altra operazione può causare lesioni personali o danni alle cose. Eventuali alterazioni del prodotto, ad esempio cambiamenti o modifiche, sono consentite solo dietro espressa autorizzazione scritta di Maxeon Solar Technologies.</p> <p>Le modifiche non autorizzate annullano la garanzia e i diritti di garanzia. Maxeon Solar Technologies non sarà responsabile di eventuali danni causati da tali modifiche.</p> <p>La targhetta d'identificazione deve rimanere attaccata al prodotto in modo permanente.</p> <p>Questo documento è parte integrante del prodotto. Assicurarsi che sia accessibile per future necessità e rispettare tutte le istruzioni in esso contenute.</p>
<b>INVERTER:</b> <b>RESERVE-INV-1-P10-L3-INT</b>	L'inverter viene utilizzato per il trasferimento bidirezionale tra corrente alternata e corrente continua.
<b>BATTERIA:</b> <b>RESERVE-BAT-1-DC-4-INT</b>	Deve essere utilizzato solo con impianti fotovoltaici di classe di protezione II in conformità alla norma IEC 61730, classe di applicazione A. La capacità di accoppiamento dei moduli fotovoltaici non deve superare 1,0 $\mu$ F.

## 2.2 Istruzioni di sicurezza per la batteria

### 2.2.1 Precauzioni di sicurezza generali

Prima di installare qualsiasi parte del sistema di accumulo di energia SunPower Reserve, leggere per intero le istruzioni di sicurezza e installazione. Se viene installato hardware aggiuntivo contemporaneamente all'unità SunPower Reserve (ad esempio un dispositivo di backup o un sistema fotovoltaico con accoppiamento AC distinto), leggere il manuale di installazione per ciascun componente/sistema prima di iniziare l'installazione dell'hardware. L'installazione di un componente hardware può creare pericoli per l'installazione di un altro componente hardware. Assicurarsi di leggere tutti i manuali per comprendere le implicazioni di interazione e sicurezza dei sistemi combinati.

1. Una sovratensione o un cablaggio errato possono danneggiare il pacco batterie e causare



una deflagrazione che può essere estremamente pericolosa.


2. Tutti i tipi di guasto della batteria possono provocare una fuoriuscita di elettroliti o gas infiammabili.
3. Il pacco batterie non è riparabile dall'utente. Nel dispositivo è presente alta tensione.
4. Leggere l'etichetta con i simboli di avvertenza e le precauzioni sul lato destro della batteria.
5. Non collegare i conduttori AC o FV direttamente alla batteria, che deve essere collegata solo all'inverter.
6. Non caricare o scaricare una batteria danneggiata.
7. Non danneggiare la batteria facendola cadere, deformandola, urtandola, tagliandola o penetrandola con un oggetto appuntito. Il danneggiamento della batteria potrebbe causare una fuoriuscita di elettroliti o un incendio.
8. Non esporre la batteria a fiamme libere.

## 2.2.2 Risposta alle situazioni di emergenza

Il pacco batterie è stato progettato per evitare i pericoli causati da un malfunzionamento.



Se l'incidente avviene a terra, rimuovere gli oggetti dal pacco batterie danneggiato e, se possibile, separarli in modo sicuro e chiamare i vigili del fuoco o il tecnico dell'assistenza locale.




Se l'incidente avviene in acqua, restare fuori dall'acqua e non toccare nulla se una parte della batteria, dell'inverter o del cablaggio è sommersa. Non utilizzare più la batteria e contattare l'assistenza tecnica.

Prodotto/i	Uso previsto e requisiti di installazione
<b>Se l'involucro della batteria è danneggiato e l'utente tocca il materiale interno delle celle della batteria</b>	<ol style="list-style-type: none"><li>1. <b>In caso di inalazione:</b> abbandonare immediatamente l'area contaminata e rivolgersi a un medico.</li><li>2. <b>In caso di ferimento agli occhi:</b> sciacquare gli occhi con acqua corrente per 15 minuti e rivolgersi a un medico.</li><li>3. <b>In caso di lesioni cutanee:</b> lavare accuratamente con sapone l'area di contatto e rivolgersi a un medico.</li><li>4. <b>In caso di ingestione:</b> indurre il vomito e rivolgersi a un medico.</li></ol>
<b>In caso di incendio nel luogo in cui è installato il pacco batterie</b>	<p><b>Cosa usare:</b></p> <ul style="list-style-type: none"><li>• FM-200, CO<sup>2</sup> o altro estintore adatto all'incendio della batteria.</li><li>• L'estintore ABC può essere utilizzato su altri oggetti, dove non entra in contatto con il pacco batterie.</li></ul> <p><b>Cosa fare:</b></p> <ol style="list-style-type: none"><li>1. In caso di incendio durante la carica delle batterie, se è sicuro farlo, scollegare l'interruttore del pacco batterie per interrompere l'alimentazione della carica.</li><li>2. Se il pacco batterie non si è ancora incendiato, spegnere le fiamme prima che prenda fuoco.</li><li>3. Se il pacco batterie prende fuoco, non cercare di spegnerlo ma far evacuare immediatamente le persone.</li></ol>
 <b>In caso di incendio della parte posteriore della batteria</b>	<p>Se le batterie sono riscaldate oltre 150 °C, può verificarsi un'esplosione. Mentre brucia, il pacco batterie esala gas velenosi. Non avvicinarsi.</p>

## 2.3 Istruzioni importanti relative alla sicurezza

Scenari ad alto rischio	Azioni consigliate
 <p><b>Pericolo di morte per scossa elettrica in caso di contatto con componenti o cavi sotto tensione</b></p>	<p>Nei componenti conduttivi o nei cavi dell'inverter è presente alta tensione. Toccare parti e cavi sotto tensione può causare la morte o lesioni letali dovute alla scarica elettrica.</p> <ul style="list-style-type: none"><li>• Non toccare parti o cavi non isolati.</li><li>• Prima di intervenire sull'inverter o sul pacco batterie, scollegare il prodotto dalle fonti di tensione e assicurarsi che non possa essere ricollegato.</li><li>• Dopo la disconnessione, attendere per 5 minuti che i condensatori all'interno dell'inverter si scarichino.</li><li>• Non aprire il prodotto.</li><li>• Indossare dispositivi di protezione individuale adeguati a tutte le operazioni sul prodotto.</li></ul>
 <p><b>Pericolo di morte provocata da tensioni pericolose sul pacco batterie</b></p>	<p>Sul connettore del cavo di alimentazione è presente una tensione pericolosa. Toccare il connettore del cavo di alimentazione comporta il rischio di una scossa elettrica letale.</p> <ul style="list-style-type: none"><li>• Non aprire il pacco batterie.</li><li>• Non strofinare il pacco batterie con un panno umido.</li><li>• Lasciare i tappi protettivi sui connettori per il collegamento di alimentazione delle batterie fino a quando i cavi dell'inverter non vengono collegati al pacco batterie. Prima di intervenire sull'inverter o sul pacco batterie, scollegare il sistema dalle fonti di tensione e assicurarsi che non possa essere ricollegato.</li></ul>
 <p><b>Pericolo di morte per scossa elettrica dovuta al contatto con un modulo fotovoltaico o il telaio di una stringa fotovoltaica privi di messa a terra</b></p>	<ul style="list-style-type: none"><li>• Toccare i moduli fotovoltaici o i telai delle stringhe privi di messa a terra può causare la morte o lesioni letali dovute alla scarica elettrica.</li><li>• Collegare e mettere a terra il telaio dei moduli fotovoltaici, il telaio della stringa e le superfici elettricamente conduttive in modo da garantire una conduzione continua.</li><li>• Rispettare le normative locali vigenti.</li></ul>
 <p><b>Pericolo di morte per scossa elettrica in caso di contatto con componenti sotto tensione o cavi FV</b></p>	<p>Quando i pannelli FV sono esposti alla luce del sole, la stringa FV genera un'alta tensione continua che è presente nei cavi DC.</p> <p>Toccare i cavi DC sotto tensione può causare la morte o lesioni letali dovute alla scarica elettrica.</p> <ul style="list-style-type: none"><li>• Prima di intervenire sul dispositivo, scollegare l'inverter dalle fonti di tensione e assicurarsi che non possa essere ricollegato.</li><li>• Non toccare parti o cavi non isolati.</li><li>• Non scollegare i connettori DC sotto carico.</li><li>• Indossare dispositivi di protezione individuale adeguati a tutti gli interventi sull'inverter.</li></ul>

Scenari ad alto rischio	Azioni consigliate
 <p><b>Pericolo di morte per scossa elettrica quando si toccano componenti del sistema sotto tensione in caso di guasto a terra</b></p>	<p>Quando si verifica un guasto a terra, alcune parti del sistema possono essere ancora sotto tensione. Toccare parti e cavi sotto tensione può causare la morte o lesioni letali dovute alla scarica elettrica.</p> <ul style="list-style-type: none"> <li>• Prima di intervenire sul dispositivo, scollegare il prodotto dalle fonti di tensione e assicurarsi che non possa essere ricollegato.</li> <li>• Toccare i cavi della stringa FV solo sull'isolamento.</li> <li>• Non toccare nessuna parte della sottostruttura o del telaio della stringa FV.</li> <li>• Non collegare all'inverter stringhe FV con guasti a terra.</li> </ul>
 <p><b>Rischio di ustioni chimiche da elettroliti o gas tossici</b></p>	<p>Durante il normale funzionamento, non si verificano fuoriuscite di elettroliti dal pacco batterie e non si formano gas tossici. Nonostante la realizzazione attenta, se il pacco batterie viene danneggiato o si verifica un guasto, è possibile che gli elettroliti fuoriescano e che si formino gas tossici.</p> <ul style="list-style-type: none"> <li>• Conservare il pacco batterie in un luogo fresco e asciutto.</li> <li>• Non far cadere il pacco batterie e non danneggiarlo con oggetti appuntiti.</li> <li>• Appoggiare il pacco batterie solo sul lato posteriore o inferiore.</li> <li>• Non aprire il pacco batterie.</li> <li>• Non installare o utilizzare il pacco batterie in atmosfere potenzialmente esplosive o in aree ad alta umidità.</li> <li>• Se nel pacco batterie è penetrata dell'umidità (ad esempio, a causa di un alloggiamento danneggiato), non installarlo né utilizzarlo.</li> <li>• In caso di contatto con gli elettroliti, sciacquare subito le aree interessate con acqua e consultare immediatamente un medico.</li> </ul>

Scenari di precauzione	Uso previsto e requisiti di installazione
 <p><b>Rischio di ustioni a causa del dissipatore e dell'involucro caldi</b></p>	<p>L'involucro e il coperchio dell'inverter possono surriscaldarsi durante il funzionamento. Durante il funzionamento, non toccare nient'altro che il coperchio dell'inverter.</p>
 <p><b>Danni all'inverter dovuti a scariche elettrostatiche</b></p>	<ul style="list-style-type: none"> <li>• Toccare i componenti elettronici può danneggiare o distruggere l'inverter e la batteria a causa delle scariche elettrostatiche.</li> <li>• Assicurarsi di scaricare a terra prima di toccare qualsiasi componente.</li> </ul>
 <p><b>Danni dovuti ai detersivi</b></p>	<ul style="list-style-type: none"> <li>• L'uso di detersivi può danneggiare il sistema di accumulo di energia e i suoi componenti.</li> <li>• Pulire il sistema e tutti i suoi componenti solo con un panno inumidito con acqua pulita.</li> </ul>

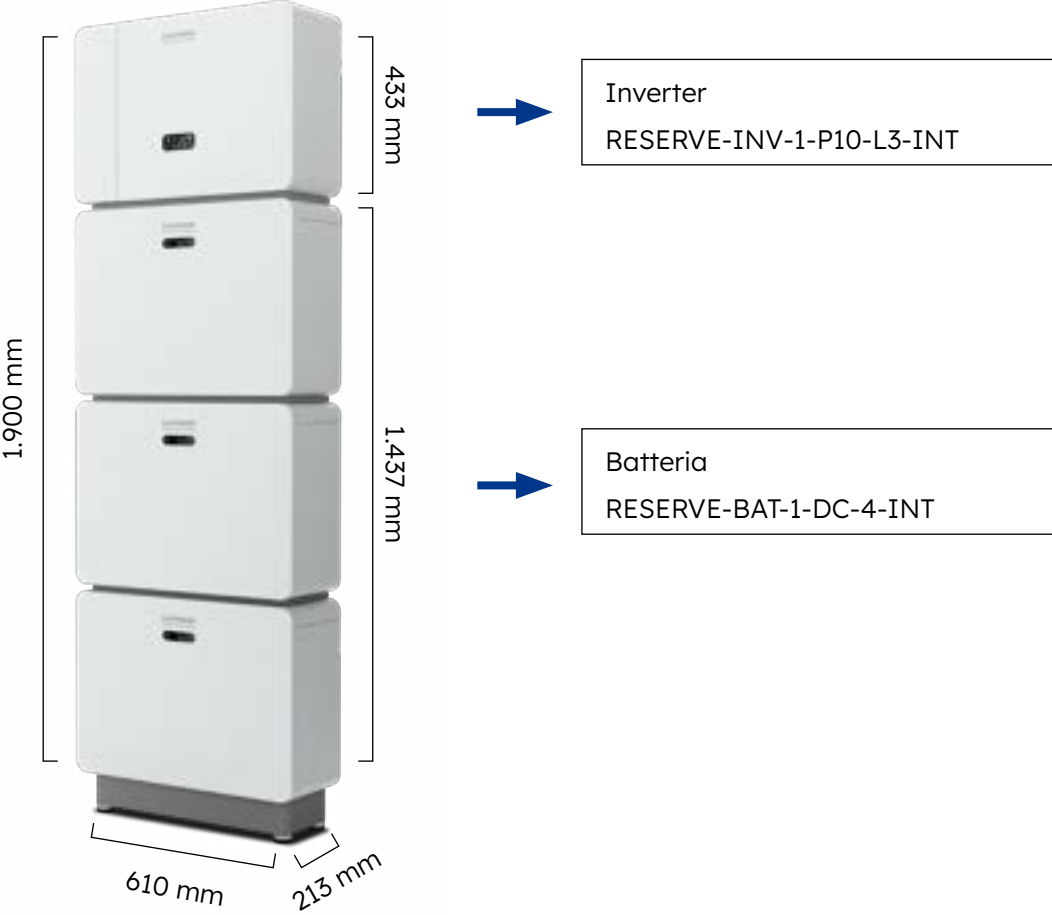
## 2.4 Spiegazione dei simboli

Simboli dell'inverter	Spiegazione
	<p>Attenzione alle zone di pericolo</p> <p>Questo simbolo indica che l'inverter deve essere messo a terra se sono necessari una messa a terra aggiuntiva o un collegamento equipotenziale nel luogo di installazione.</p>
	<p>Attenzione alla tensione elettrica</p> <p>Il prodotto funziona a tensioni elevate.</p>
	<p>Attenzione alle superfici calde</p> <p>Il prodotto può surriscaldarsi durante il funzionamento.</p>
 	<p>Pericolo di morte dovuta all'alta tensione nell'inverter, rispettare un tempo di attesa di 5 minuti. Prima di eseguire qualsiasi intervento sull'inverter, scollegarlo da tutte le fonti di tensione come descritto nel presente documento.</p>
	<p>Designazione WEEE</p> <p>Non smaltire il prodotto insieme ai rifiuti domestici, bensì in conformità con le norme sullo smaltimento dei rifiuti elettronici vigenti nel luogo di installazione.</p>
	<p>Osservare la documentazione</p>
	<p>Marchio CE</p> <p>Il prodotto è conforme ai requisiti delle direttive UE vigenti.</p>
	<p>Sicurezza certificata</p> <p>Il prodotto è testato dal TUV ed è conforme ai requisiti della legge europea sulla sicurezza delle apparecchiature e dei prodotti.</p>
	<p>RCM (Regulatory Compliance Mark)</p> <p>Il prodotto è conforme ai requisiti degli standard australiani vigenti.</p>
	<p>Marchatura UKCA</p> <p>Il prodotto è conforme ai regolamenti delle leggi vigenti in Inghilterra, Galles e Scozia.</p>
	<p>Etichettatura RoHS</p> <p>Il prodotto è conforme ai requisiti delle direttive UE vigenti.</p>

Simboli della batteria	Spiegazione
	<p>Attenzione alle zone di pericolo</p> <p>Questo simbolo indica che il pacco batterie deve essere messo a terra se sono necessari una messa a terra aggiuntiva o un collegamento equipotenziale nel luogo di installazione.</p>
	<p>Rischio di ustioni chimiche</p>
	<p>Rischio di esplosione</p>
	<p>Osservare la documentazione</p>
	<p>Rischio di fuoriuscita di elettroliti</p>
	<p>Marchio CE</p> <p>Il prodotto è conforme ai requisiti delle direttive UE vigenti.</p>
	<p>Consultare le istruzioni per il funzionamento</p>
	<p>Usare una protezione per gli occhi</p>
	<p>Fiamme, illuminazione non protetta e fumo sono vietati</p>
	<p>Installare il prodotto lontano dalla portata dei bambini</p>
	<p>Non smaltire il pacco batterie insieme ai rifiuti domestici, bensì in conformità con le normative locali sullo smaltimento delle batterie</p>
	<p>Codice di riciclo</p>
<b>UN38.3</b>	<p>Marchatura per il trasporto di merci pericolose</p> <p>Il prodotto supera le certificazioni della normativa UN38.3</p>

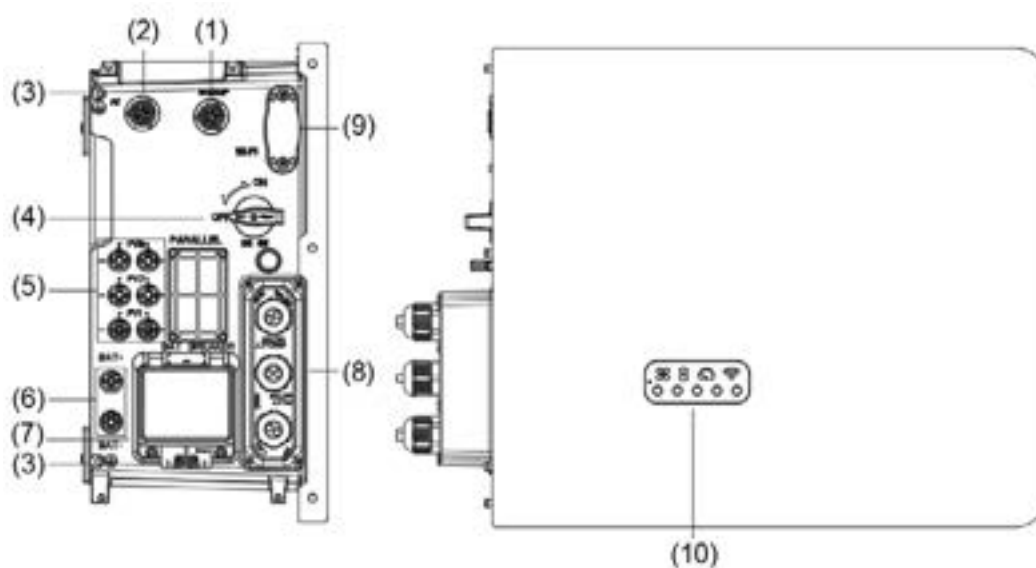
### 3.0 Introduzione al prodotto e scenari di applicazione

#### 3.1 Introduzione all'aspetto del sistema



## 3.2 Descrizione dell'inverter

### 3.2.1 Introduzione all'interfaccia elettrica dell'inverter



Posizione	Descrizione
1	Connettore di backup
2	Connettore di rete (alimentazione AC trifase)
3	Punto di messa a terra
4	Interruttore FV*
5	Connettori FV positivi e negativi, PV1, PV2, PV3
6	Connettore positivo batteria Connettore negativo batteria
7	Interruttore batteria*
8	Porte di comunicazione (BMS, RS485, Contatore, DRM** & RRCR, LAN, AUX)
9	Fornitore di servizi di rete distribuiti
10	Display a LED dell'inverter

\* L'interruttore della batteria e l'interruttore FV dell'inverter sono spenti al momento della spedizione.

\*\* Il DRM è destinato esclusivamente alle regioni con normative di sicurezza AS/NZS 4777.2.

### 3.2.2 Interfaccia display inverter

Sul display dell'inverter sono presenti nove indicatori LED.











#### Indicatori LED superiori

I quattro LED di sistema forniscono informazioni sullo stato e sulle attività del sistema

#### Indicatori LED inferiori

Cinque LED sono utilizzati per indicare lo stato di carica della batteria (o delle batterie) durante il normale funzionamento

Tuttavia, quando il sistema presenta un guasto, la combinazione dei LED superiore e inferiore viene utilizzata per visualizzare i codici di errore, come ad esempio:






Stato normale	Descrizione	Stato anomalo	Descrizione
 <b>SISTEMA</b>	<b>Luce bianca</b> Il sistema funziona normalmente	 <b>SISTEMA</b>	<b>Luce rossa</b> Il sistema è in errore
 <b>MISURATORE</b>	<b>Luce bianca</b> La comunicazione con il misuratore funziona normalmente	 <b>MISURATORE</b>	<b>Nessuna luce</b> Misuratore non connesso
 <b>BATTERIA</b>	<b>Luce bianca</b> La batteria funziona normalmente	 <b>BATTERIA</b>	<b>Nessuna luce</b> La batteria non funziona normalmente
 <b>COMUNICAZIONI</b>	<b>Luce bianca</b> Server collegato	 <b>COMUNICAZIONI</b>	<b>Nessuna luce</b> Server disconnesso



Anche le luci dell'inverter funzioneranno in modo diverso durante il processo di download e aggiornamento del software:

Luce	Durante il processo di download e aggiornamento del software
Display luminoso dell'inverter	Mentre l'inverter sta scaricando il file per aggiornare il firmware, i 5 LED inferiori scorreranno da entrambi i lati verso il centro. Quando il processo di download è terminato e inizia il processo di aggiornamento, i 5 LED inferiori scorreranno dal centro verso i due lati.
Display luminoso della batteria	Il numero di luci da sinistra a destra è 1-3. Durante l'aggiornamento, la luce bianca n. 3 lampeggia velocemente, mentre gli altri due LED sono spenti.

Gli indicatori LED inferiori sul coperchio anteriore dell'inverter forniscono informazioni sullo stato di carica (SOC) del sistema. Se tutte le batterie stanno funzionando normalmente, verranno visualizzati in bianco fisso o spenti. Durante i vari stati di carica, le spie verranno visualizzate nel modo seguente:

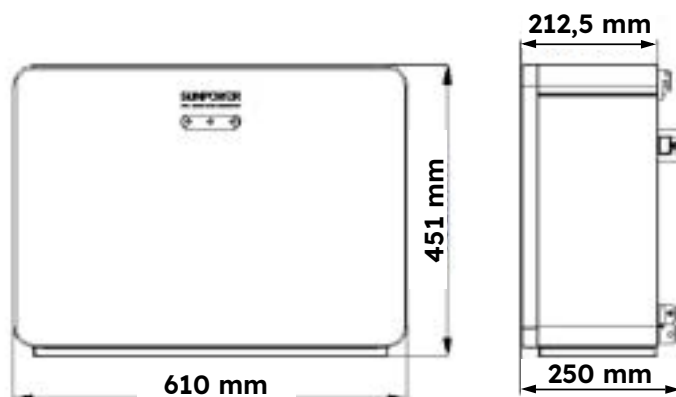
Stato di carica (SoC)	Descrizione
	SOC < 5%
	5% ≤ SOC < 20%
	20% ≤ SOC < 40%
	40% ≤ SOC < 60%
	60% ≤ SOC < 80%
	80% ≤ SOC ≤ 100%

Si noti che i LED forniscono un'approssimazione dello stato di carica e devono essere letti come un'indicazione e non come un valore impostato.

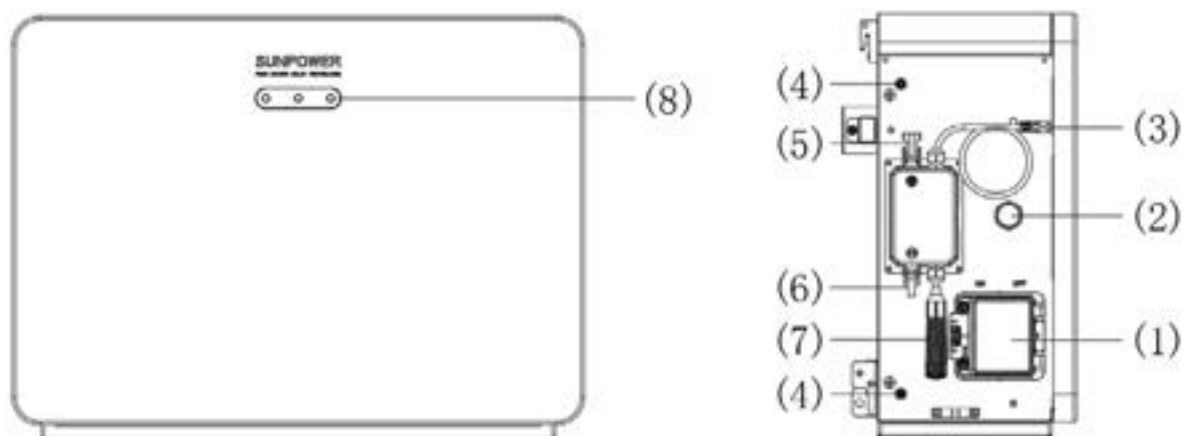
### 3.3 Descrizione della batteria

#### 3.3.1 Introduzione all'interfaccia elettrica della batteria

Aspetto e dimensioni della batteria



Panoramica dell'area di collegamento






Posizione	Descrizione
1	Interruttore batteria
2	Valvola di sovrappressione
3	BMS COM (1)
4	Punto di messa a terra
5	Connettore del cavo batteria+
6	Connettore del cavo batteria-
7	BMS COM (2) (con resistenza terminale)
8	Display LED batteria

### 3.3.2 Introduzione al display della batteria

#### LED batteria e SOC

Durante il normale funzionamento della batteria, il suo stato di carica (SOC) è indicato da tre LED bianchi posti sul coperchio anteriore, che possono essere accesi, spenti o lampeggianti (accesi per 0,5 secondi e spenti per 1,5 secondi).

Simboli	Descrizione
	LED bianco lampeggiante
	LED bianco acceso
	LED bianco spento

Stato di carica (SoC)	Descrizione
	$SOC \leq 10\%$
	$10\% < SOC \leq 30\%$
	$30\% < SOC \leq 50\%$
	$50\% < SOC \leq 60\%$
	$60\% < SOC \leq 90\%$
	$90\% < SOC \leq 100\%$

#### LED di stato della batteria

I LED indicano lo stato di funzionamento del prodotto.

Standby: tutti i LED bianchi lampeggiano (accesi per 0,5 secondi e spenti per 0,5 secondi).

Normale: i LED bianchi sono accesi o lampeggianti (accesi per 0,5 secondi e spenti per 1,5 secondi).

Protezione: i LED gialli sono accesi o lampeggianti (accesi per 0,5 secondi e spenti per 0,5 secondi).

Errore: i LED gialli sono accesi o lampeggianti (accesi per 0,5 secondi e spenti per 0,5 secondi).

Spegnimento: tutti i LED sono spenti.

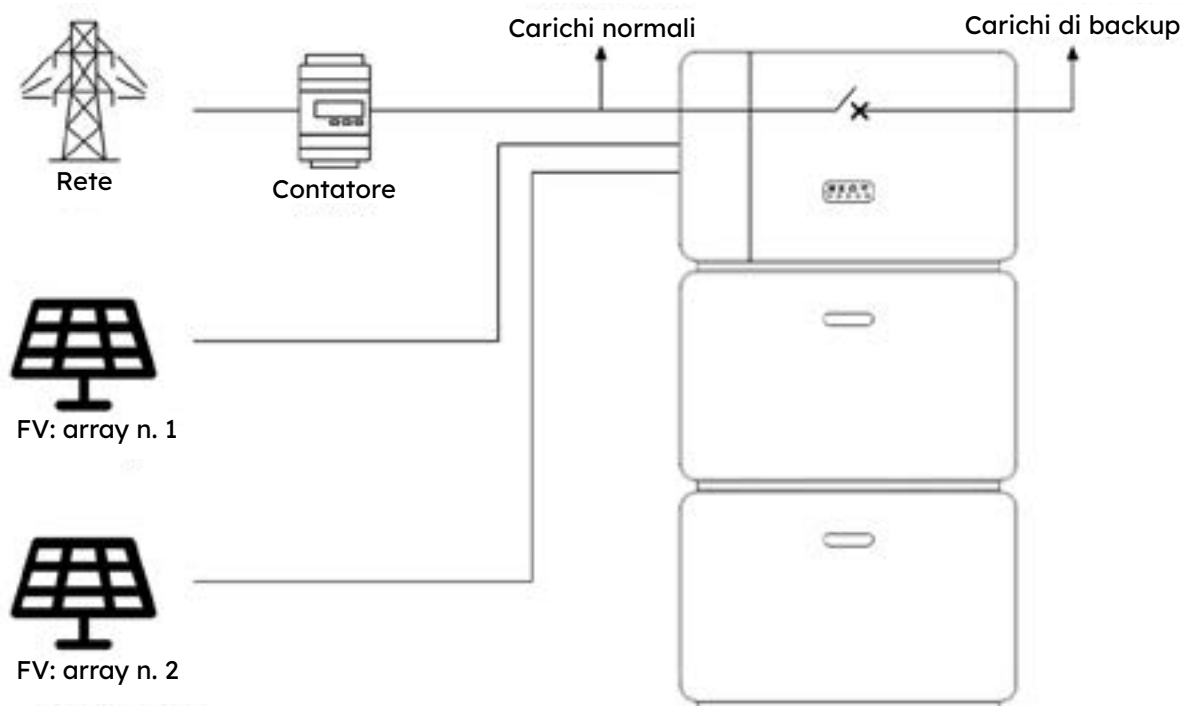
## 3.4 Scenari di applicazione

Il sistema SunPower Reserve è un sistema di accumulo flessibile che può essere utilizzato in tutti i seguenti scenari:

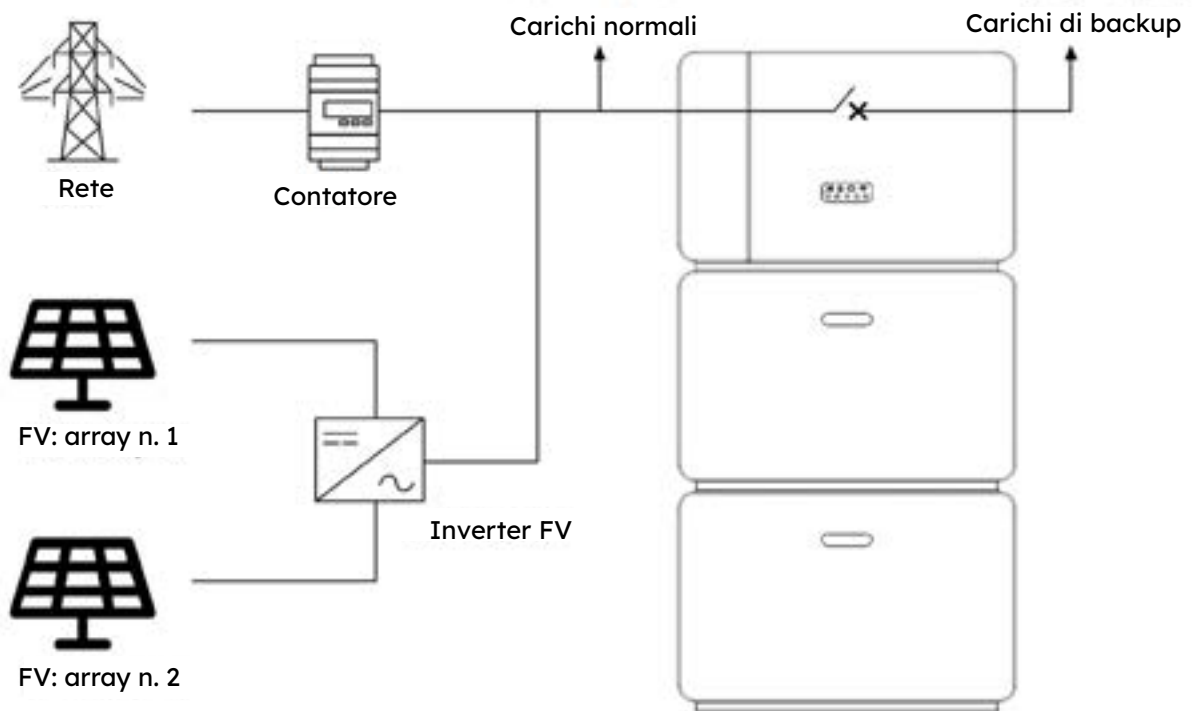
Applicazione	Descrizione	Vantaggi
<b>DC</b>	Campi FV collegati direttamente agli ingressi FV SunPower Reserve.	Non è necessario un inverter aggiuntivo
<b>AC</b>	Campi FV collegati a un inverter FV separato con accoppiamento in AC.	<ul style="list-style-type: none"><li>I carichi possono essere prelevati contemporaneamente dalla batteria e dal fotovoltaico</li><li>Il sistema di batterie può essere aggiunto in un secondo momento</li></ul>
<b>Ibrido</b>	Campi FV collegati direttamente agli ingressi FV di SunPower Reserve e a un inverter FV con accoppiamento in AC.	<ul style="list-style-type: none"><li>Può essere accoppiato a qualsiasi impianto fotovoltaico già presente</li><li>Può aumentare le dimensioni del sistema e il controllo senza modificare l'impianto fotovoltaico originale</li></ul>

Un esempio di ciascuno di questi scenari:

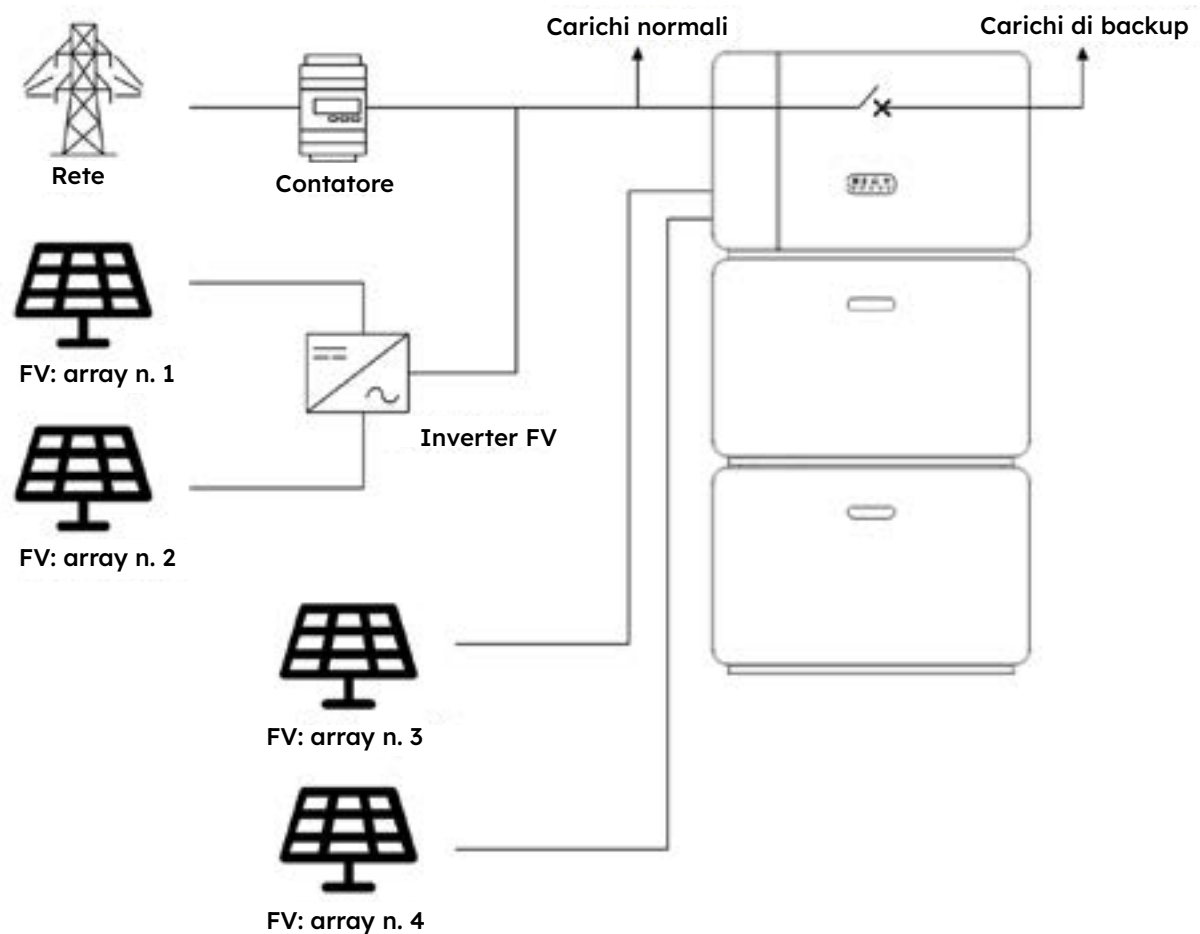
### 3.4.1 Sistema di accumulo ad accoppiamento in corrente continua



### 3.4.2 Sistema di accumulo ad accoppiamento in corrente alternata



### 3.4.3 Sistema di accumulo ad accoppiamento ibrido



## 4.0 Stoccaggio e trasporto

### 4.1 Accumulo

Se l'inverter non viene messo in servizio immediatamente, è necessario rispettare i seguenti requisiti:

Prodotto/i	Indicazioni per lo stoccaggio
<b>Inverter:</b> <b>RESERVE-INV-1- P10-L3-INT</b>	<ol style="list-style-type: none"><li>1. Non disimballare l'inverter.</li><li>2. Mantenere la temperatura di stoccaggio tra -40 °C e +60 °C e l'umidità relativa al 5% / 95%.</li><li>3. L'inverter deve essere conservato in un luogo pulito e asciutto e deve essere protetto dalla polvere e dalla corrosione del vapore acqueo.</li><li>4. È possibile impilare un massimo di cinque inverter. Per evitare lesioni personali o danni al dispositivo, impilare gli inverter con attenzione per evitare che cadano.</li><li>5. Durante il periodo di stoccaggio, controllare periodicamente l'inverter. Sostituire tempestivamente eventuali imballaggi danneggiati.</li><li>6. Gli inverter stoccati per più di 2 anni devono essere ispezionati e testati prima di essere messi in servizio.</li></ol>
<b>Batteria:</b> <b>RESERVE-BAT-1- DC-4-INT</b>	<ol style="list-style-type: none"><li>1. Durante il periodo di stoccaggio, collocare le batterie in base alle indicazioni riportate sulla scatola.</li><li>2. Impilare le scatole delle batterie in conformità con i requisiti di impilamento stampati sulla scatola esterna.</li><li>3. Conservare il pacco batterie fuori dalla portata di bambini e animali.</li><li>4. Conservare il pacco batterie in un'area in cui polvere e sporcizia siano minimi.</li><li>5. Maneggiare le batterie con cautela per evitare di danneggiarle.</li><li>6. I requisiti dell'ambiente di stoccaggio sono i seguenti:<ol style="list-style-type: none"><li>a. Temperatura ambiente: da -10 °C a +55 °C, temperatura di stoccaggio consigliata: da 15 °C a 30 °C</li><li>b. Umidità relativa: dal 15% all'85%</li><li>c. Posizionare le batterie in un luogo asciutto, pulito e ventilato al riparo dalla polvere.</li><li>d. Collocare le batterie in un luogo lontano da gas e solventi organici corrosivi.</li><li>e. Tenere le batterie lontano dalla luce diretta del sole.</li><li>f. Tenere le batterie ad almeno 2 m di distanza da fonti di calore.</li></ol></li><li>7. Le batterie in deposito devono essere scollegate dai dispositivi esterni. Le spie sulle batterie (se presenti) devono essere spente.</li><li>8. Le batterie immagazzinate devono essere consegnate in base alla regola "first in, first out".</li><li>9. Le batterie stoccate per più di 6 mesi devono essere valutate e caricate periodicamente.</li><li>10. Si consiglia di mettere in servizio le batterie non appena possibile. Lo stoccaggio per più di 12 mesi a uno stato di carica (SOC) inferiore al 30% può comportare una perdita di capacità.</li></ol>

## 4.2 Trasporto

Durante il trasporto, seguire le seguenti indicazioni.

1. Per il trasporto utilizzare l'imballaggio originale. Se la confezione originale non è disponibile, inserire il prodotto in una scatola di cartone idonea con protezione adeguata e sigillarla.
2. Maneggiare con cautela, scegliere il metodo di movimentazione più adeguato in base al peso e prestare attenzione alla sicurezza. Per il sollevamento è preferibile utilizzare ausili meccanici anziché procedere manualmente.
3. Durante il trasporto, evitare i danni meccanici e mantenere il prodotto asciutto.
4. Assicurare l'imballaggio durante il trasporto per evitare danni.
5. Rispettare le norme locali relative al sollevamento di oggetti pesanti e ai rischi per la sicurezza.

## 5.0 Montaggio

### 5.1 Controllo dell'imballaggio esterno








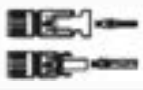




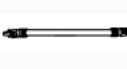





Prima di disimballare il prodotto, verificare la presenza di eventuali danni sulla confezione esterna, come fori, segni di danni meccanici o danni causati dall'acqua. Se si riscontrano danni, non disimballare il prodotto e contattare al più presto il proprio fornitore.

### 5.2 Dotazione

Controllare che la consegna sia completa e non presenti danni visibili all'esterno. Contattare il fornitore se la consegna è incompleta o sono presenti parti danneggiate.

### 5.3 Contenuto della confezione





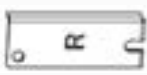







Controllare i componenti inclusi con l'inverter e la batteria in base all'elenco seguente.

Inverter (RESERVE-INV-1-P10-L3-INT)				
 Inverter (X1)	 Pannello laterale (X1)	 Copricavi (X1)	 Base inverter (X1)	 Modulo Wi-Fi (X1)
 Connettore di rete (X1)	 Connettore di backup (X1)	 Coppia connettori FV MC4 (X3)	 Morsettiera AUX 6 pin (X2)	 Set di viti M5X12 e terminali di messa a terra (X1)
 Cavo di terra fra inverter e 1° batteria (X1)	 Cavo di alimentazione principale negativo per batterie in serie (X1)	 Cavo di alimentazione principale positivo per batterie in serie (X1)	 Cavo di alimentazione tra due colonne di batterie in serie (X1)	 Cavo di comunicazione tra due colonne di batterie in serie (X1)
 Cavo di terra tra due colonne di batterie in serie (x1)	 Schemi elettrici sistema (X1)	 Guida rapida all'installazione (X1)		








## Componenti aggiuntivi per staffa di montaggio a parete per inverter (opzionale)

Staffa di montaggio a parete per inverter (RESERVE-INV-1-P10-L3-INT)				
				
Staffa di montaggio a parete (X1)	Gancio per staffa di montaggio a parete (X4)	Vite a testa esagonale M5*12 (X18)	Tassello per fissaggio a parete ST6*55 (X4)	Livella a bolla d'aria piccola (X1)

Controllare i componenti inclusi in ciascuna batteria in base all'elenco seguente.

Batteria (RESERVE-BAT-1-DC-4-INT)				
				
Batteria (X1)	Piastra laterale sinistra (X1)	Piastra laterale destra (X1)	Elemento di collegamento inferiore sinistro (X1)	Elemento di collegamento inferiore destro (X1)
				
Cavo di messa a terra 115 mm (X1)	Cavo di alimentazione batteria 205 mm (X1)	Vite a testa esagonale M5*12 (X3)	Tappo in silicone (X9)	Tappo in plastica (X1)
				
Tenditore fascette serracavo (X3)	Guida rapida all'installazione (X1)			

## Componenti aggiuntivi per staffa di montaggio a parete per batteria (opzionale)

Staffa di montaggio a parete per batteria (RESERVE-BAT-1-DC-4-INT)				
				
Staffa di montaggio a parete (X1)	Piastra di collegamento tra le staffe di montaggio a parete delle batterie (X2)	Piastra di collegamento tra staffe di montaggio a parete dell'inverter 3P e della prima batteria (X2)	Tassello per fissaggio a parete ST6*55 (X6)	Vite a testa esagonale con rondella grande M5*12 (X3)
				
Dado filettato M5 (X7)	Livella a bolla d'aria piccola (X1)			

Montaggio a pavimento per batteria (RESERVE-BAT-1-DC-4-INT)				
				
Base (X1)	Piastra di collegamento a parete della base (X1)	Piastra di collegamento a parete della batteria in serie (X1)	Tassello per fissaggio a parete ST6*55 (X6)	Livella a bolla d'aria piccola (X1)
				
Vite a testa esagonale M5*12 (X8)				



## 5.4 Preparazione di strumenti e attrezzi

Prima di installare il sistema di accumulo di energia, assicurarsi che siano disponibili le attrezzature e i dispositivi di sicurezza seguenti:

Strumenti e attrezzi e dispositivi di protezione individuale				
				
Trapano a percussione (con punta $\varnothing$ 10 mm)	Chiave a bussola SW8	Multimetro (intervallo di tensione DC $\geq$ 1000 V DC)	Pinze diagonali	Spellafili
				
Cacciavite T20 (intervallo di coppia: 0-5 Nm), L = 150 mm	Mazzuolo di gomma	Taglierino	Tagliacavi	Pinze per capicorda MC4
				
Pinza crimpatrice per terminali capicorda (modello: HSC8 0,25-10 mm <sup>2</sup> )	Serracavo rete	Pinza amperometrica	Strumento di smontaggio e montaggio del connettore FV	Aspirapolvere
				
Pennarello	Metro a nastro	Livella a bolla d'aria	Mascherina antipolvere	Scarpe di sicurezza
				
Guanti di sicurezza	Occhiali di sicurezza			

## 5.5 Requisiti per il montaggio



### PERICOLO

Nonostante la realizzazione attenta, i dispositivi elettrici possono causare incendi.

- Non montare il sistema di accumulo di energia in aree contenenti materiali o gas altamente infiammabili.
- Non montare il sistema in atmosfere potenzialmente esplosive.

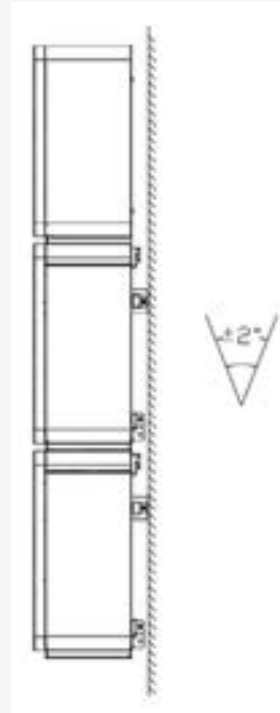
Tipo	Requisiti
<b>Di base</b>	<ul style="list-style-type: none"><li>• Il sistema SunPower Reserve è adatto per l'uso in ambienti interni ed esterni.</li><li>• Non installare l'inverter in un luogo in cui una persona possa toccarlo facilmente perché l'involucro e il coperchio possono essere molto caldi durante il funzionamento.</li><li>• Non montare l'impianto in aree in cui sono presenti materiali infiammabili o esplosivi.</li><li>• Non montare l'impianto in un luogo alla portata dei bambini.</li><li>• Non inserire viti nei fori filettati utilizzando un martello o un cacciavite a percussione oppure una chiave pneumatica. Non danneggiare viti o fori filettati serrando con una coppia troppo elevata.</li><li>• Per proteggere l'impianto dalla sommersione, si consiglia di mantenerlo a una distanza di almeno 150 mm da terra.</li></ul>
<b>Ambiente di montaggio</b>	<ul style="list-style-type: none"><li>• L'impianto deve essere montato in un ambiente ben ventilato per garantire un'adeguata dissipazione del calore.</li><li>• Montare l'impianto in un luogo riparato o montarvi sopra una copertura.</li><li>• L'intervallo di temperatura ottimale per il funzionamento della batteria è compreso tra 15 °C e 30 °C.</li><li>• Non montare l'impianto in aree in cui potrebbe essere esposto alla luce del sole; la sua potenza potrebbe ridursi a causa del calore aggiuntivo.</li><li>• Non esporre o posizionare vicino a fonti d'acqua come pluviali o irrigatori.</li><li>• Non montare l'impianto all'aperto in aree ad alta probabilità di nebbia salina, dove la corrosione potrebbe causare danni. Per area ad alta probabilità di nebbia salina si intende una zona entro 500 metri dalla costa o soggetta alla brezza marina.</li><li>• Se la batteria è montata in garage, assicurarsi che il prodotto sia adeguatamente protetto da potenziali impatti meccanici.</li><li>• Si consigliano luoghi chiusi, al coperto o generalmente protetti dagli agenti atmosferici e dalle temperature estreme (ad esempio in un garage).</li></ul>

**Struttura di montaggio**

- La superficie di montaggio retrostante l'impianto non deve consentire la propagazione degli incendi. La superficie di montaggio dietro l'impianto non deve consentire la propagazione delle fiamme e deve essere tagliafuoco ove richiesto dalle normative locali.
- Assicurarsi che il pavimento di montaggio sia robusto e in grado di sostenere il peso dell'impianto.

**Inclinazione di montaggio con fissaggio a parete**

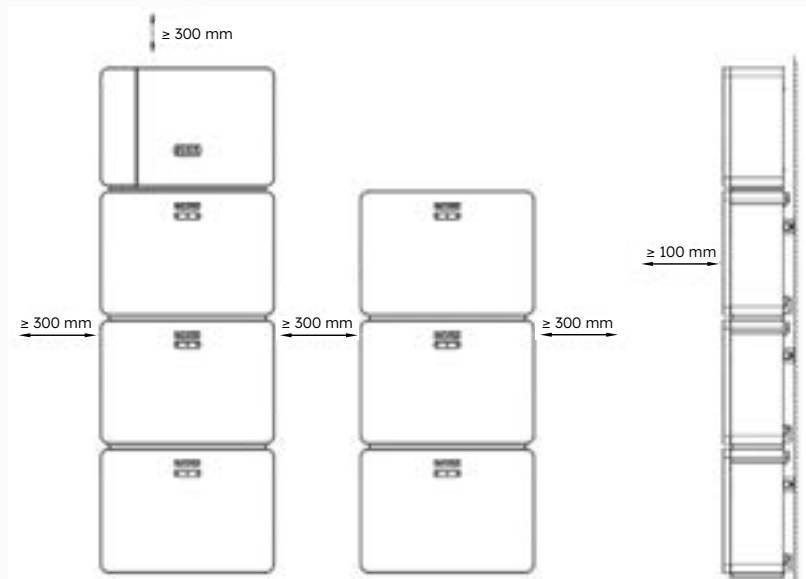
L'inverter deve essere montato sulla batteria. L'angolo di installazione richiesto è:



Non montare l'impianto in posizione inclinata in avanti o lateralmente, orizzontale o capovolta.

## Spazio di montaggio


- Riservarsi uno spazio sufficiente attorno al prodotto per l'installazione, la manutenzione e la dissipazione del calore.
- Lo spazio laterale consigliato può essere regolato in base alle esigenze degli utenti finali. Lo spazio può essere fino a 100 mm inferiore a quanto indicato se la ventilazione è adeguata e nessun ostacolo o oggetto limita l'accesso all'etichettatura o agli interruttori del prodotto o impedisce l'uso di strumenti per rimuovere le coperture o effettuare interventi di assistenza/rimozione del prodotto.
- Gli standard locali possono prevedere ulteriori requisiti in termini di spazio, in particolare per quanto riguarda la distanza tra il sistema di batterie e altri apparecchi elettrici.



## 5.6 Montaggio del sistema di accumulo di energia

### 5.6.1 Montaggio della batteria con staffa a parete

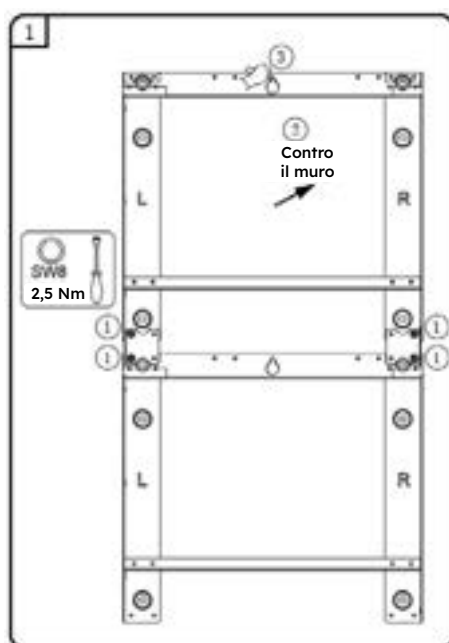
Istruzioni per il montaggio a parete della batteria:

 <b>ATTENZIONE</b>	<p>Rischio di infortunio durante il sollevamento della batteria, che pesa 44 kg. Esiste il rischio di lesioni se la batteria viene sollevata in modo errato o lasciata cadere durante il trasporto o il montaggio.</p> <ul style="list-style-type: none"><li>• Trasportare e sollevare sempre la batteria come descritto di seguito. Tenere conto del peso del prodotto.</li><li>• Prevedere sempre la presenza di due persone che montano e smontano il prodotto e prestare attenzione alla sicurezza.</li><li>• Indossare dispositivi di protezione individuale adeguati a tutti gli interventi sul prodotto.</li></ul>
--	---

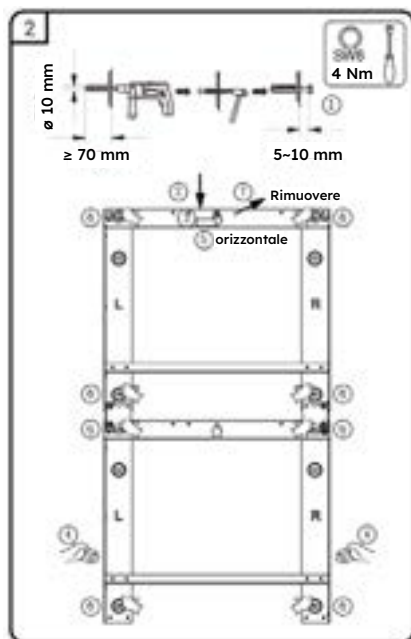
1. Estrarre la batteria dalla confezione e trasportarla nel luogo di installazione.



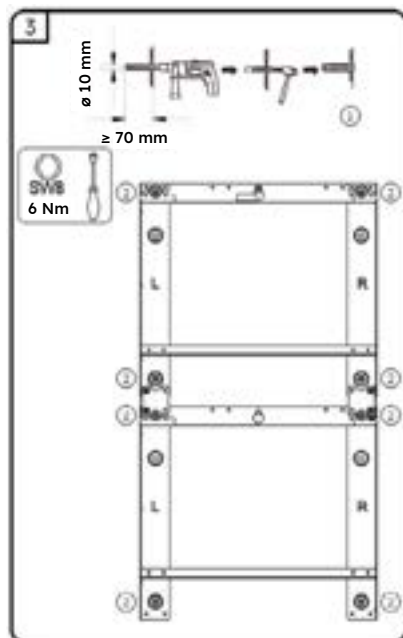
2. Disimballare le staffe di montaggio a parete e le piastre di collegamento. Assemblarle in modo da formare un telaio con dadi M5. Scegliere un'altezza adeguata. Lasciare abbastanza spazio al di sotto se si desidera aggiungere altre batterie.



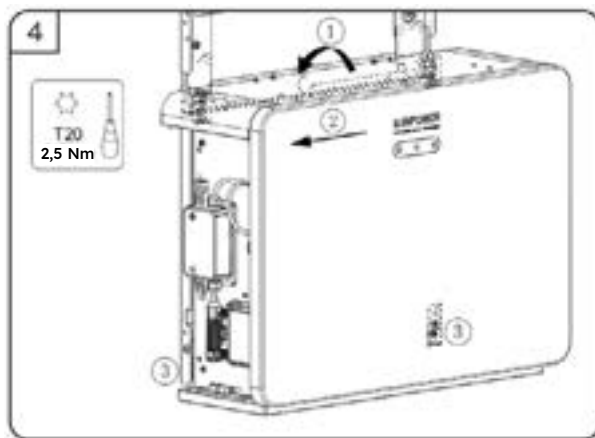
- Praticare il foro contrassegnato con una punta da 10 mm. Inserire il tassello nel foro e pressare la vite in dotazione. Lasciare 5-10 mm dalla testa della vite alla parete. Appendere la staffa di montaggio a parete alla testa della vite, regolarla in orizzontale, contrassegnare le altre posizioni in cui praticare i fori e rimuovere la staffa.



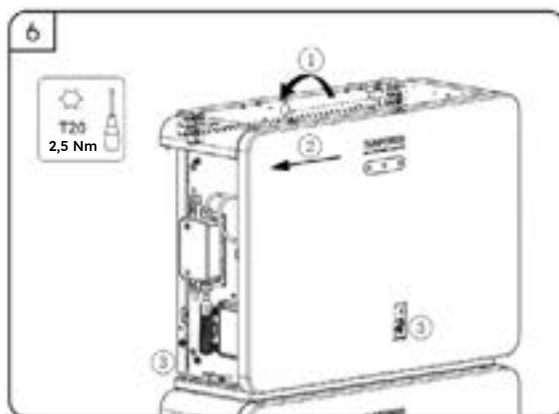
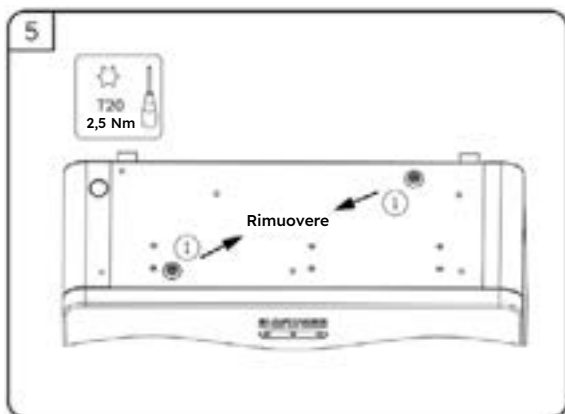
- Praticare i fori contrassegnati utilizzando una punta da 10 mm. Inserire i tasselli nei fori. Appendere la staffa di montaggio a parete alla testa della vite e fissarla alla parete con le apposite viti (attrezzo: chiave dinamometrica da 8 mm, coppia: 6 Nm).



5. Tenere sempre saldamente le maniglie su entrambi i lati della batteria, agganciare la batteria alla staffa di montaggio a parete inferiore e spostarla fino al limite sinistro. Allineare i fori inferiori su entrambi i lati della batteria alla staffa di montaggio a parete e serrare con due viti M5\*12 (utensile: cacciavite T20, coppia: 2,5 Nm).



6. Rimuovere i due fermi posizionati sopra alla batteria quando si monta la batteria successiva con staffa di montaggio a parete. Continuare a montare altre batterie ripetendo i passaggi 4 e 5.



## 5.6.2 Istruzioni per lo smontaggio della batteria montata con staffa a parete

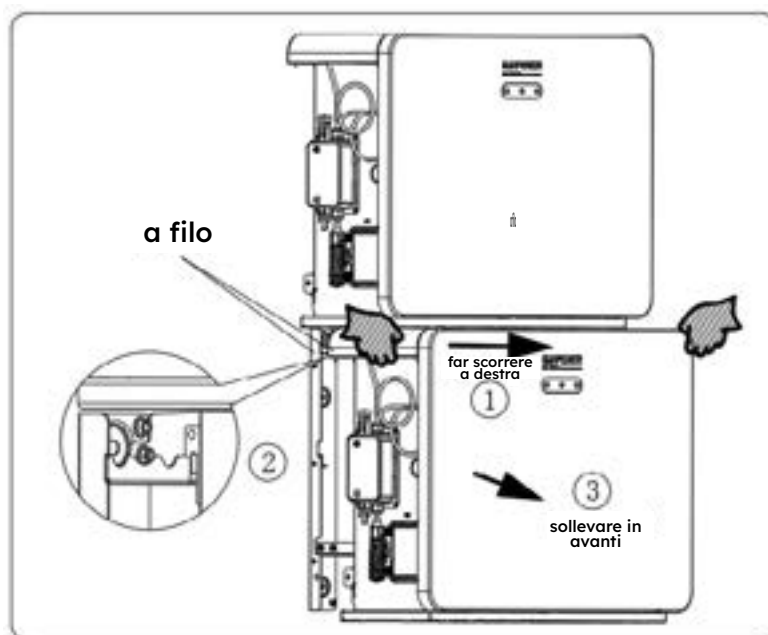


### Rischio di lesioni dovute al peso della batteria.

Le lesioni possono essere dovute a un errato sollevamento del prodotto o a una sua caduta durante il trasporto o il montaggio. Per evitare questo pericolo:

- Trasportare e sollevare il prodotto con attenzione. Tenere conto del peso (44 kg) del prodotto.
- Prevedere sempre la presenza di due o più persone per montare e smontare il prodotto.
- Indossare dispositivi di protezione individuale adeguati a tutti gli interventi sul prodotto.

Quando si smonta una batteria montata con staffa a parete e non direttamente collegata all'inverter, tenere sempre saldamente le maniglie su entrambi i lati della batteria e farla scorrere verso destra. Quando la maniglia sinistra della batteria inferiore è allineata al bordo sinistro della base della batteria superiore, sollevare attentamente la batteria in avanti staccandola dalla staffa a parete.





### 5.6.3 Montaggio della batteria utilizzando il supporto a pavimento

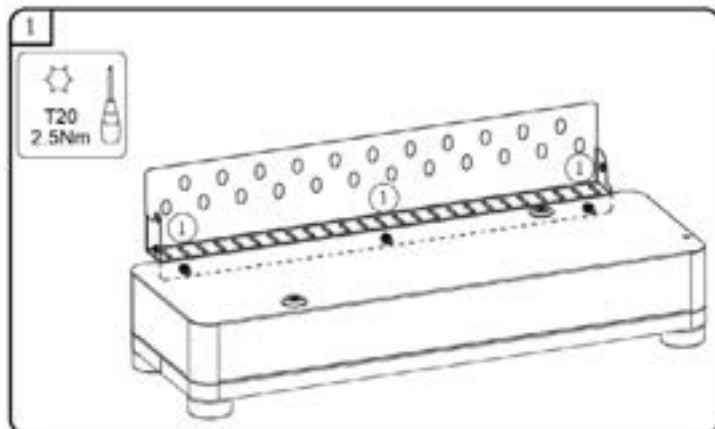
Istruzioni per il montaggio della batteria al pavimento filo muro:



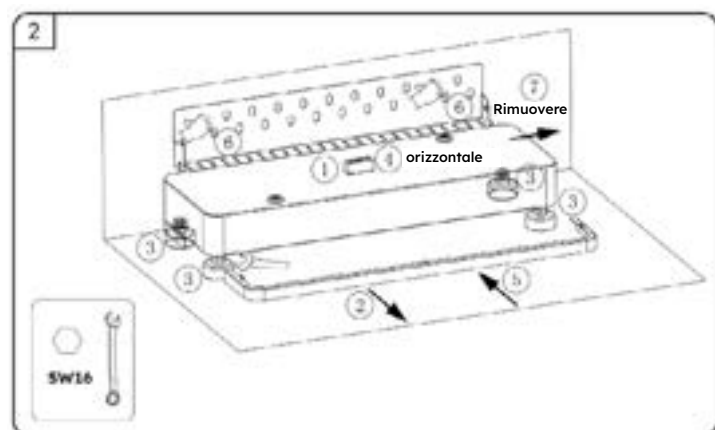
Rischio di infortunio durante il sollevamento della batteria, che pesa 44 kg. Esiste il rischio di lesioni se la batteria viene sollevata in modo errato o lasciata cadere durante il trasporto o il montaggio.

- Trasportare e sollevare sempre la batteria come descritto di seguito. Tenere conto del peso del prodotto.
- Prevedere sempre la presenza di due persone che montano e smontano il prodotto e prestare attenzione alla sicurezza.
- Indossare dispositivi di protezione individuale adeguati a tutti gli interventi sul prodotto.

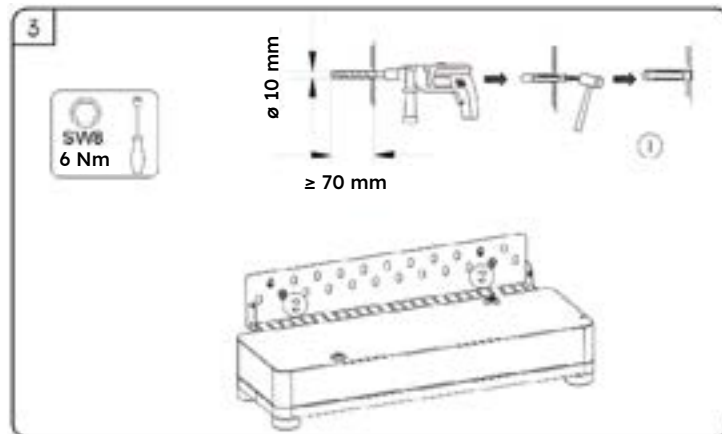
1. Estrarre la base e la piastra di collegamento a parete della base e serrarle insieme con tre viti M5\*12 (utensile: cacciavite T20, coppia: 2,5 Nm).



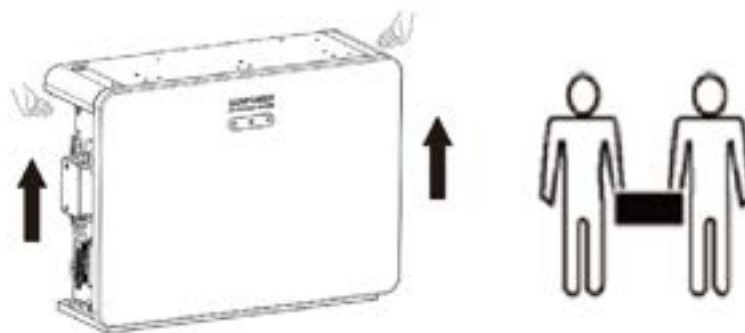
2. Posizionare la piccola livella a bolla d'aria al centro della base, rimuovere il coperchio dei piedini, regolare i quattro piedini per livellare la base, montare il coperchio dei piedini sulla base, contrassegnare le posizioni sulla parete in cui praticare i fori con il trapano e rimuovere la base.



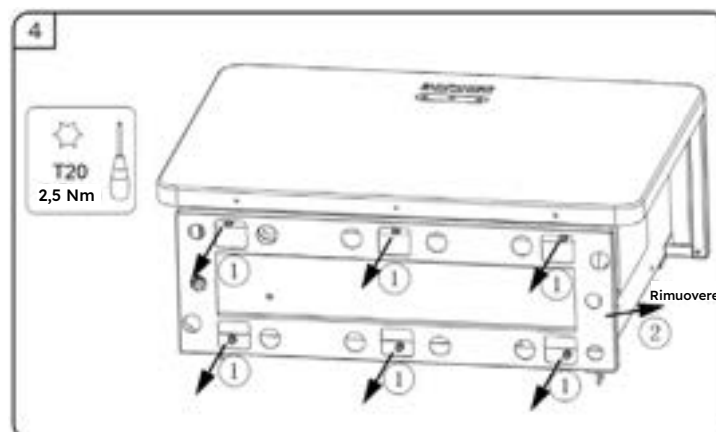
3. Praticare i fori contrassegnati con una punta da 10 mm di  $\varnothing$ . Inserire i tasselli nei fori praticati, fissare la base alla parete con le viti in dotazione (utensile: chiave dinamometrica da 8 mm, coppia: 6 Nm).



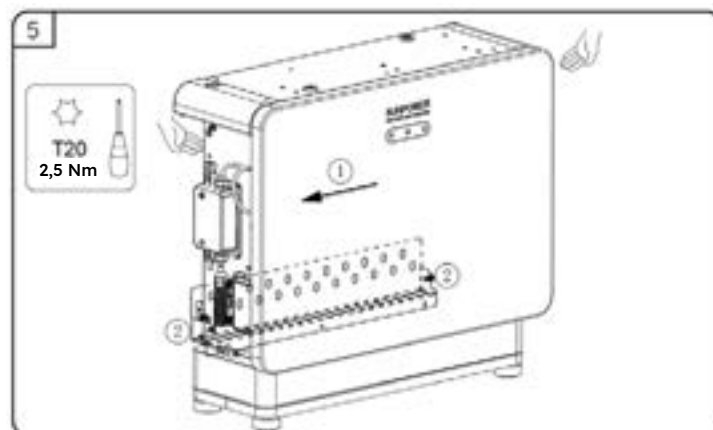
4. Estrarre la batteria dalla confezione e trasportarla nel luogo di installazione.



5. Separare la base della batteria dal fondo (utensile: cacciavite T20, coppia: 2,5 Nm); la batteria si troverà nella parte inferiore. Durante questa operazione proteggere la parte esterna della batteria.

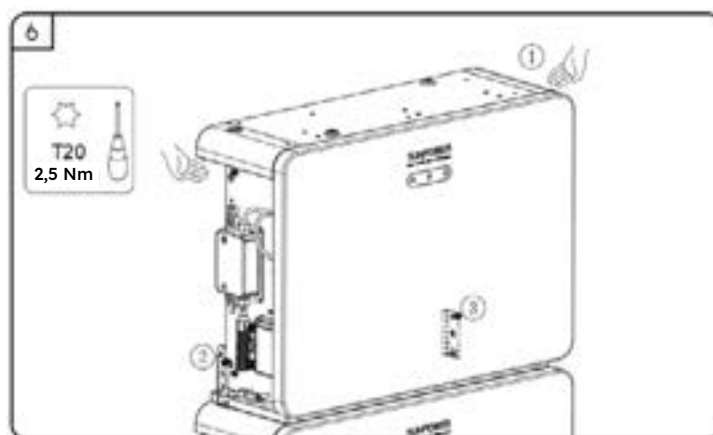


6. Sollevare la batteria utilizzando le maniglie sui due lati, posizionare la batteria sulla base e spostarla verso il limite sinistro. Allineare i fori inferiori su entrambi i lati della batteria alla piastra di collegamento a parete della base e serrarli insieme con due viti M5\*10 (utensile: cacciavite T20, coppia: 2,5 Nm).



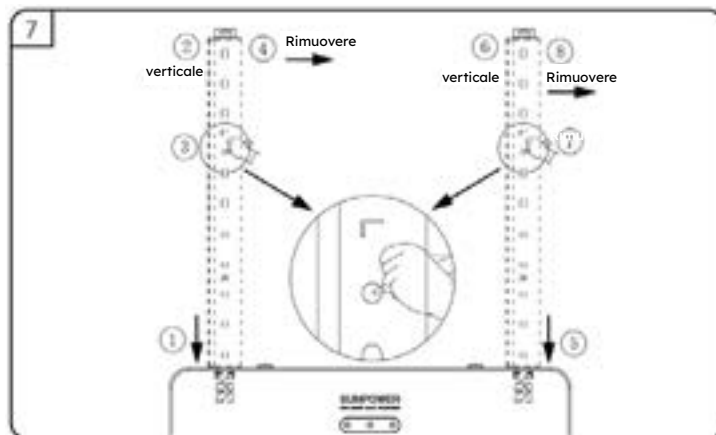
7. Se nella colonna sono presenti solo due batterie, passare al punto 8. Sollevare la batteria utilizzando le maniglie sui due lati e posizionare questa batteria su quella inferiore. Per questa operazione, allineare le due depressioni nella parte inferiore della batteria superiore alle protuberanze rialzate (fermi) nella parte superiore della batteria inferiore.

Estrarre il pezzo di collegamento inferiore sinistro e il pezzo di collegamento inferiore destro e utilizzarli per collegare la parte inferiore sinistra della batteria superiore alla parte superiore sinistra della batteria inferiore con viti M5\*10 (utensile: cacciavite T20, coppia: 2,5 Nm). Collegare la parte inferiore destra della batteria superiore alla parte superiore destra della batteria inferiore.

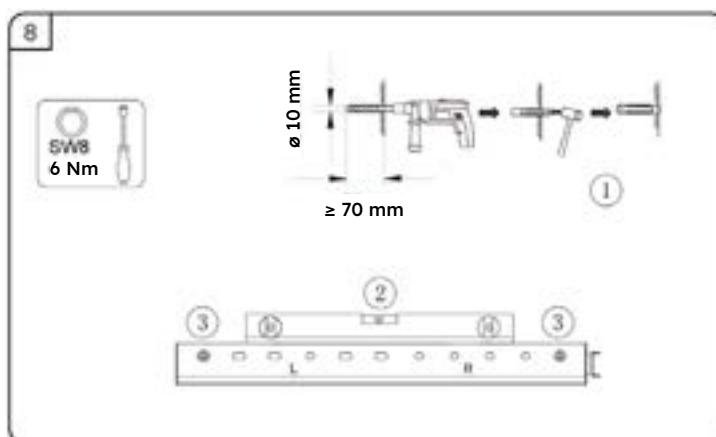


8. Estrarre la piastra di collegamento a parete della batteria.

Posizionare il bordo rialzato della piastra rivolto a sinistra, spingere l'estremità inferiore della piastra contro i ganci sinistro e destro sul retro della batteria, regolare la sua posizione verticale e contrassegnare le posizioni di foratura attraverso il foro circolare sulla parete.



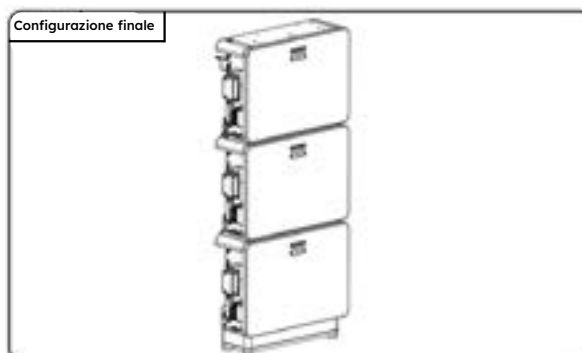
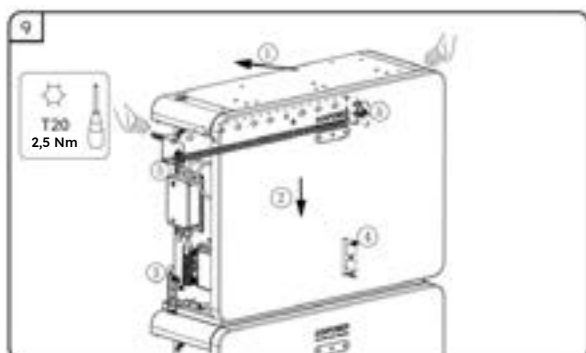
9. Praticare i fori contrassegnati con una punta da 10 mm di  $\varnothing$ . Inserire i tasselli nei fori praticati, fissare la base alla parete con le viti in dotazione (utensile: chiave dinamometrica da 8 mm, coppia: 6 Nm).



10. Sollevare orizzontalmente la batteria, far passare la sua parte superiore attraverso la piastra di collegamento a parete e posizionare verticalmente la batteria su quella inferiore.

Estrarre il pezzo di collegamento inferiore sinistro e il pezzo di collegamento inferiore destro e utilizzarli per collegare la parte inferiore sinistra della batteria superiore alla parte superiore sinistra della batteria inferiore con viti M5\*10 (utensile: cacciavite T20, coppia: 2,5 Nm). Collegare la parte inferiore destra della batteria superiore alla parte superiore destra della batteria inferiore.

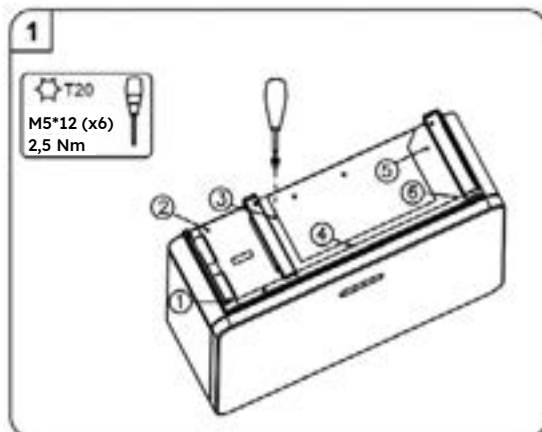
Fissare la batteria alla sua piastra di collegamento a parete con due viti M5\*12 (utensile: cacciavite T20, coppia: 2,5 Nm).



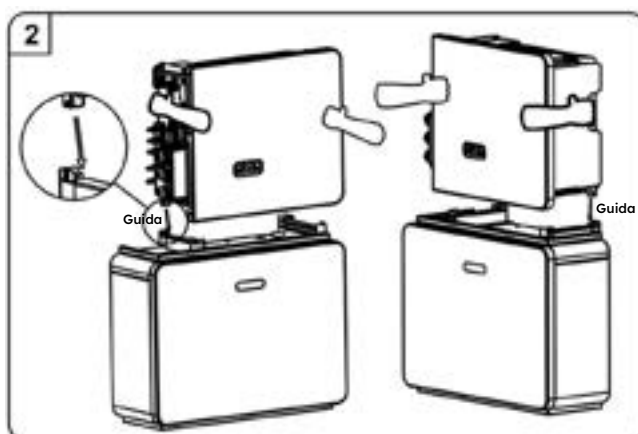
## 5.6.4 Montaggio dell'inverter sopra la batteria

Montare l'inverter in posizione verticale sulla batteria:

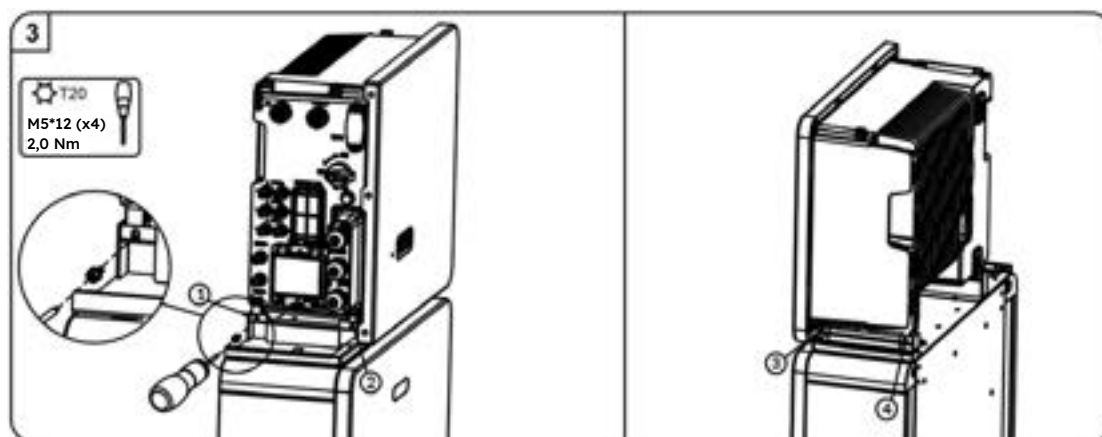
1. Estrarre la base dell'inverter, posizionarla sulla parte superiore della batteria e fissare con sei viti M5\*12 (utensile: cacciavite T20, coppia: 2,5 Nm).



2. Posizionare l'inverter nella relativa base. Per eseguire questa operazione, i fori inferiore destro e sinistro sul fondo dell'inverter devono essere inseriti nelle rispettive guide nella base dell'inverter.



3. Collegare l'inverter alla propria base. I fori di montaggio dell'inverter devono essere allineati con i fori orizzontali della base dell'inverter; fissarli con ciascuna delle due viti M5x12 mm sui lati sinistro e destro (utensile: cacciavite T20, coppia: 2,5 Nm).

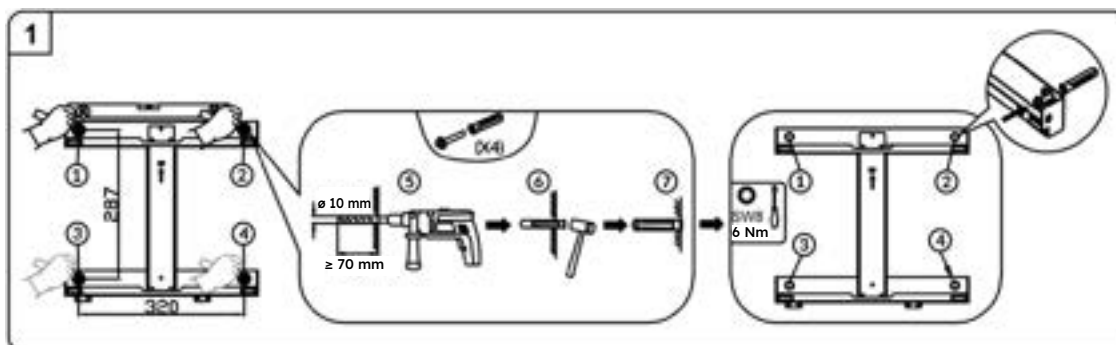


## 5.6.5 Montaggio dell'inverter su una staffa a parete

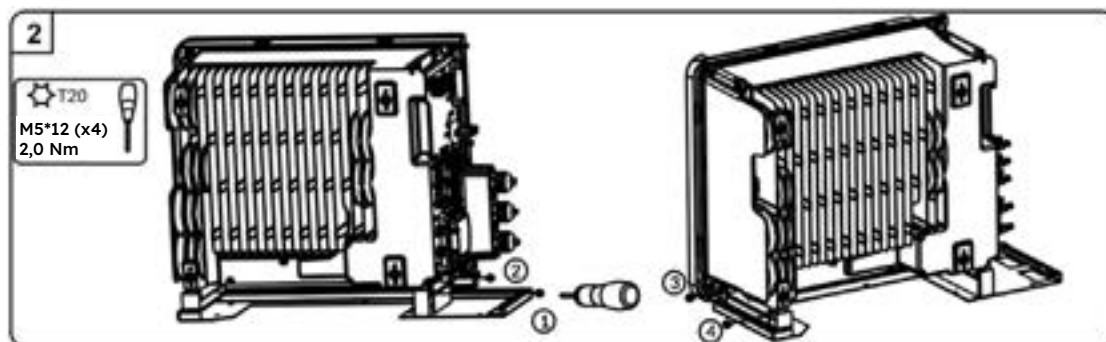
Montare l'inverter su una staffa a parete può consentire di aggiungere più facilmente un'ulteriore batteria in futuro.

1. Rimuovere dalla confezione la staffa a parete per l'inverter. Selezionare un'altezza adatta per la batteria. Si consiglia di lasciare un'altezza sufficiente per l'eventuale aggiunta di una batteria supplementare.

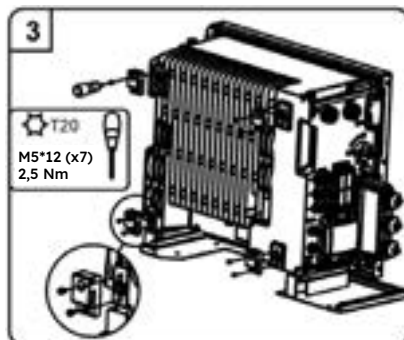
Contrassegnare le quattro posizioni di foratura della staffa di montaggio a parete. Praticare i fori contrassegnati utilizzando una punta da 10 mm. Inserire tasselli nei fori. Assicurarsi che la staffa di montaggio a parete sia posizionata orizzontalmente utilizzando una livella a bolla d'aria prima di fissarla. Fissare la staffa alla parete e serrare le viti con il cacciavite a testa esagonale da 8 mm.



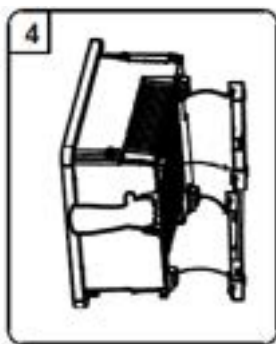
2. Estrarre la base dell'inverter e posizionare quest'ultimo sulla base. Per eseguire questa operazione, i fori inferiore destro e sinistro sul fondo dell'inverter devono essere inseriti nelle rispettive guide nella base dell'inverter. Fissare la base all'inverter con ciascuna delle due viti M5x12mm sui lati sinistro e destro (utensile: cacciavite T20, coppia: 2,5 Nm).



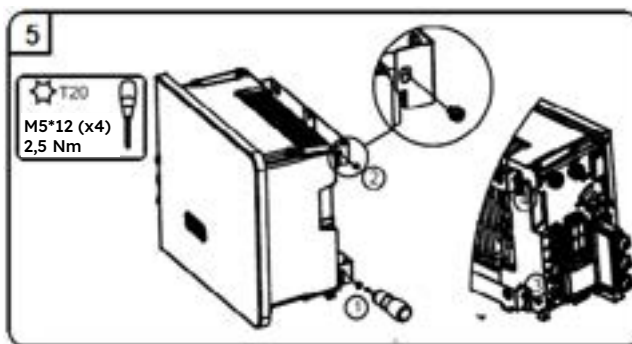
3. Estrarre i quattro ganci per staffa a parete, fissarli sul retro dell'inverter con viti M5x12 mm (utensile: cacciavite T20, coppia: 2,5 Nm).



4. Agganciare l'inverter alla staffa di montaggio a parete. Assicurarsi che l'inverter sia saldamente in posizione.



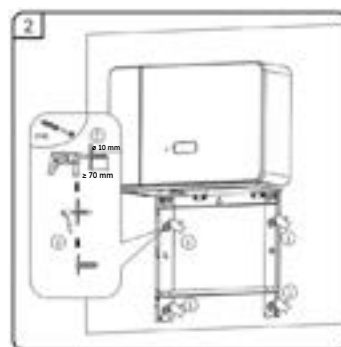
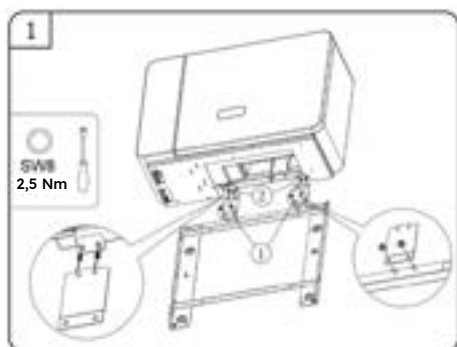
5. Fissare l'inverter alla staffa di montaggio a parete. A questo scopo, inserire le quattro viti M5x12 mm nei fori filettati inferiore e superiore su entrambi i lati dell'inverter e serrarle (utensile: cacciavite T20, coppia: 2,5 Nm).



### 5.6.6 Montaggio della batteria per applicazioni Battery Ready

Si parla di scenario Battery Ready quando l'utente ha installato un inverter ibrido come inverter fotovoltaico e non ha installato una batteria. L'utente può decidere di installare una batteria in seguito. In questa sezione spiegheremo come montare la prima batteria. Seguire questi passaggi.

1. Estrarre la staffa a parete della batteria e le due piastre di collegamento tra le staffe a parete dell'inverter e la prima batteria e montarle con dadi M5 (utensile: Manicotto esagonale SW8, coppia: 2,5 Nm).
2. Allineare i fori superiori delle piastre di collegamento tra le staffe a parete dell'inverter e la prima batteria ai rivetti inferiori della staffa a parete dell'inverter, contrassegnare le posizioni di foratura sulla parete e rimuovere la staffa a parete della batteria.





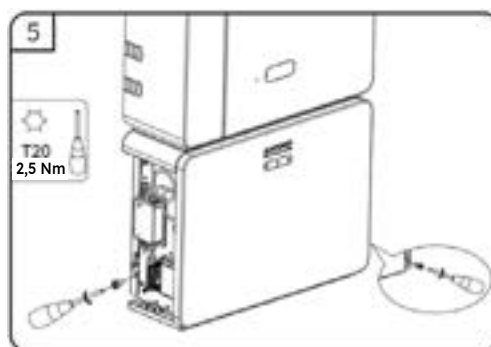
3. Praticare i fori contrassegnati con una punta da 10 mm di  $\varnothing$ . Inserire i tasselli nei fori. Allineare i fori superiori delle piastre di collegamento tra le staffe a parete dell'inverter e la prima batteria ai rivetti inferiori della staffa a parete dell'inverter e fissare la staffa a parete della batteria al muro con le viti in dotazione (utensile: chiave dinamometrica da 8 mm, coppia: 10 Nm).



4. Tenere sempre saldamente le maniglie su entrambi i lati della batteria e spostarla a sinistra, far passare il gancio sinistro della batteria attraverso l'apertura della relativa staffa di montaggio a parete, sollevare con cautela la batteria all'indietro e spostarla verso il limite sinistro.



5. Fissare la batteria alla relativa staffa a parete e serrare con due viti (utensile: cacciavite T20, coppia: 2,5 Nm).

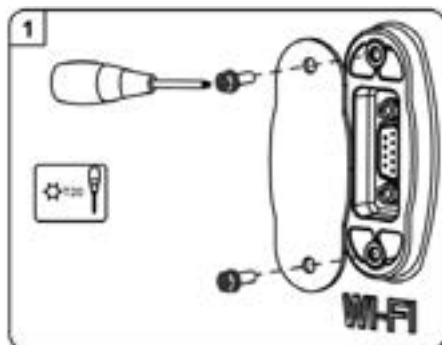


6. Per le fasi di montaggio di batterie aggiuntive, vedere la sezione 5.6.1. Montaggio della batteria con staffa a parete.

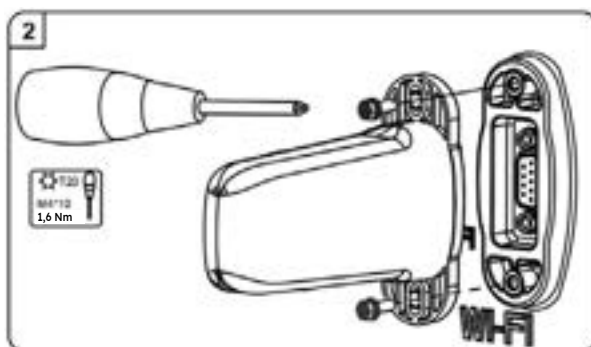


## 5.6.7 Montaggio del modulo Wi-Fi




1. Rimuovere il coperchio protettivo della porta Wi-Fi in alto a sinistra dell'inverter.



2. Serrare il modulo Wi-Fi sull'inverter con le due viti M4x12 mm in dotazione (utensile: cacciavite T20, coppia: 1,6 Nm). **NON SERRARE ECCESSIVAMENTE** per evitare possibili danni all'involucro in plastica del modulo Wi-Fi.



## 6.0 Collegamento elettrico

 <b>PERICOLO</b>	I danni al sistema di accumulo di energia causati da collegamenti errati dei cavi non sono coperti da alcuna garanzia. Solo degli elettricisti certificati possono collegare i cavi. Il personale operativo deve indossare i DPI adeguati quando collega i cavi.
 <b>PERICOLO</b>	Prima di collegare i cavi, assicurarsi che tutti gli interruttori del sistema di accumulo di energia siano impostati su OFF (spenti). In caso contrario, sussiste il pericolo di alta tensione/corrente del sistema che può provocare scosse elettriche.
 <b>ATTENZIONE</b>	I colori dei cavi indicati negli schemi dei collegamenti elettrici forniti in questo capitolo sono solo per riferimento. Selezionare i cavi in base alle specifiche locali (i cavi verdi e gialli sono utilizzati solo per il PE).


### 6.1 Requisiti dei cavi (non inclusi)

N.	Cavo	Tipo	Intervallo area della sezione del conduttore	Diametro esterno
1	Cavo di alimentazione FV	Cavo fotovoltaico standard (soggetto alle normative locali)	4-6 mm <sup>2</sup>	5-8 mm
2*	Cavo di segnale	Cavo di rete standard (tipo consigliato: Cat5e, SFTP, resistente ai raggi UV per uso esterno)	0,12-0,20 mm <sup>2</sup> (da AWG26 a AWG24)	4-6 mm
3**	Cavo di segnale	Cavo in rame schermato a coppie intrecciate per esterni	0,5-1,3 mm <sup>2</sup>	4-6 mm
4	Cavo di alimentazione AC	Cavo di rame a cinque fili per esterni (L1, L3, L3, N e PE)	4-6 mm <sup>2</sup>	13-17,5 mm
5	Cavo PE	Cavo di rame unipolare per esterni	4-6 mm <sup>2</sup>	N/A

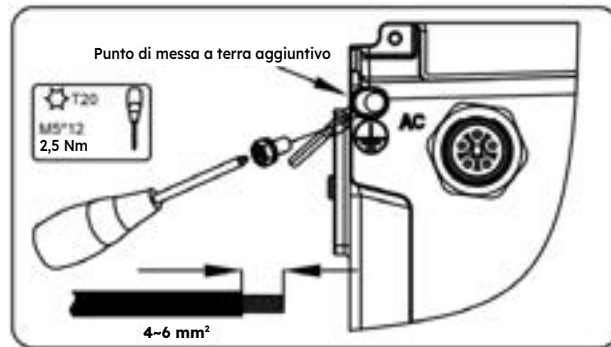
\* Per il collegamento di comunicazione DRM, contatore trifase, RS485, LAN con l'inverter.

\*\* Per il collegamento di comunicazione AUX con l'inverter.

### 6.2 Collegamento a terra

 <b>ATTENZIONE</b>	<p>Pericolo di scossa elettrica:</p> <p>Prima di effettuare il collegamento elettrico, assicurarsi che l'interruttore FV e tutti gli interruttori AC e BAT del sistema di accumulo di energia siano spenti e non possano essere riattivati involontariamente o in modo non intenzionale.</p>
--	--

Un punto di messa a terra è previsto vicino al connettore della presa AC sull'inverter. Preparare i morsetti M5 Eye/Ring, rimuovere l'isolante del cavo di messa a terra, inserire la parte spellata del cavo di messa a terra nel capocorda ad anello e crimparlo con un utensile per capicorda. Collegare il morsetto di messa a terra all'inverter (utensile: cacciavite T20, coppia: 2,5 Nm).



## 6.3 Collegamento AC

### 6.3.1 Requisiti per il collegamento AC

I requisiti del cavo AC sono i seguenti:

- Tipo di conduttore: filo di rame (preferibile il rame stagnato)
- La capacità di corrente dipende dal modello di inverter selezionato e deve essere tale da consentire al cavo AC di trasportare la corrente di pieno carico dell'alimentazione AC e dell'uscita di backup:

Esempio per modello di inverter da 10 kW

Corrente max alimentazione AC: 21,7 A

Corrente max uscita di backup: 21,7 A

Nota: Tenere conto del degradamento in funzione della temperatura e del cambio di tensione quando si selezionano i diametri dei fili. Un cavo con temperatura nominale di almeno 110 °C si degrada più lentamente con l'aumento delle temperature.

- Diametro esterno: tipicamente 13-17,5 mm per connettore di rete e connettore di backup
- Raccomandazione relativa alla sezione del conduttore di rete e di backup: 4-6 mm<sup>2</sup>
- Lunghezza di rimozione dell'isolante: 10 mm
- Lunghezza di rimozione della guaina: 43 mm



È necessario proteggere ogni inverter con un interruttore di rete/di backup individuale per garantire che l'inverter possa essere scollegato in modo sicuro.



Unità di monitoraggio della corrente residua:

L'inverter non necessita di un interruttore differenziale esterno quando è in funzione.

Se le normative locali o una particolare configurazione di installazione richiedono l'uso di un interruttore differenziale o di un sistema di accumulo ad accoppiamento ibrido con una grande capacità di accoppiamento dall'array FV e dall'inverter FV, è necessario osservare quanto segue:

L'inverter è compatibile con gli interruttori differenziali di tipo A con corrente differenziale nominale di 100 mA o superiore. Ogni inverter del sistema deve essere collegato alla rete elettrica tramite un interruttore differenziale separato.



Per il sito di installazione di Australia e Nuova Zelanda, i cavi neutri del lato di rete e del lato di backup devono essere collegati, altrimenti la funzione di uscita di backup non funzionerà normalmente.

#### **AVVISO**

In tutti i casi, i carichi normali e i carichi essenziali devono essere adeguatamente protetti da dispositivi di protezione contro i guasti a terra (ad esempio RCD di tipo A o B, RCBO) conformemente alle norme appropriate.

I carichi di backup non devono superare la capacità nominale dell'inverter, anche durante il funzionamento "on grid".

### **6.3.2 Scelta dell'interruttore AC adatto**

I requisiti generali per la scelta degli interruttori sono determinati dagli standard e dalle disposizioni specifici di ogni paese. Di seguito sono elencati i fattori d'influenza generali da prendere in considerazione per la scelta dell'interruttore adatto:

- Fattori che influenzano la portata di corrente del cavo: tipo di cavo utilizzato, temperatura ambiente intorno al cavo, tipo di instradamento del cavo, accorpamento dei cavi.
- Altri fattori che influenzano il dimensionamento: impedenza del circuito, riscaldamento reciproco degli interruttori, temperatura ambiente in corrispondenza dell'interruttore, selettività, tipo di dispositivo collegato.

Se questi fattori vengono ignorati, aumenta il pericolo di attivazione dell'interruttore in condizioni di esercizio normali.

La scelta degli interruttori per l'alimentazione AC e l'uscita di backup dipende dalla corrente massima del circuito di backup e dell'inverter (se è a carica forzata), dal modello di interruttore utilizzato e dalla loro corrente nominale ridotta considerando le loro temperature massime. Le schede tecniche del fornitore indicano nel dettaglio il degradamento in funzione della temperatura per i relativi interruttori. Assicurarsi che gli interruttori utilizzati siano appropriati per la corrente e la temperatura di esercizio, altrimenti aumenta il pericolo che l'interruttore si disinnesci in normali condizioni di esercizio.

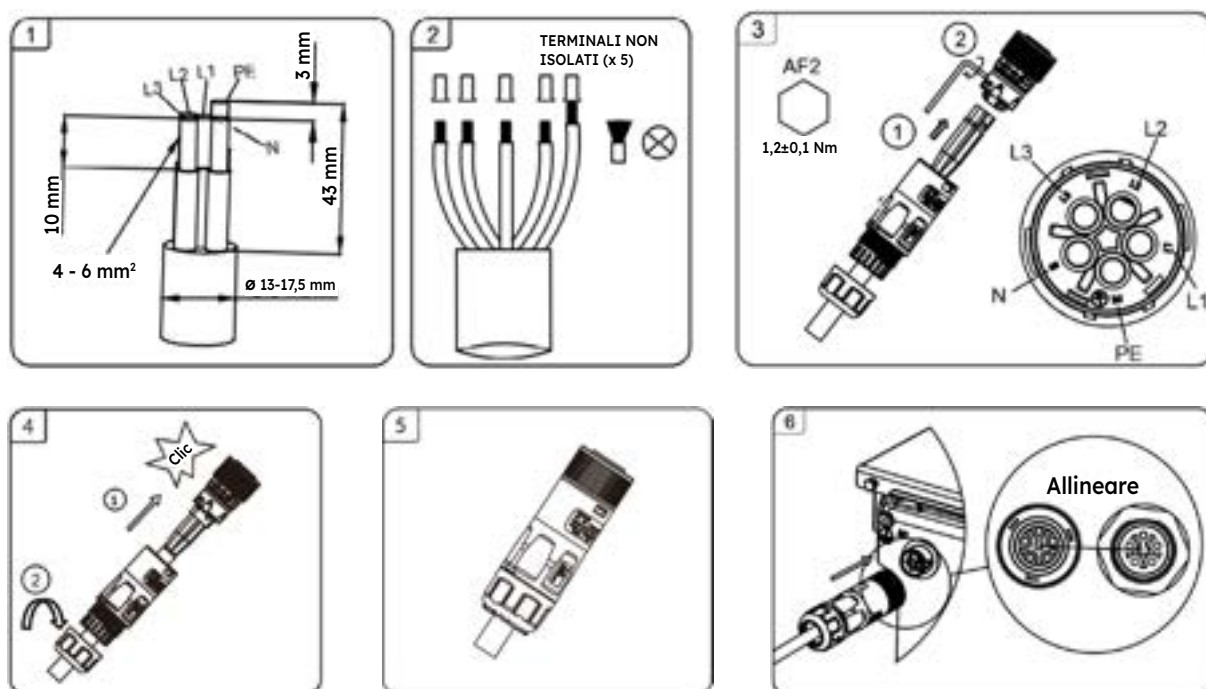
## Raccomandazioni per il collegamento AC

Descrizione	Corrente al punto di massima potenza	Tipo interruttore	Sezione cavo consigliata
Lato rete	21,7 A	32 A	4-6 mm <sup>2</sup>
Lato backup	21,7 A	32 A	4-6 mm <sup>2</sup>

### 6.3.3 Collegamento alla rete e di backup

Di seguito sono riportati i passaggi per il collegamento del connettore di rete:

1. Scollegare gli interruttori FV, di rete, di backup e della batteria e metterli in sicurezza per impedire la riconnessione.
2. Spellare l'isolamento esterno del cavo AC di 43 mm.
3. Accorciare L1, L2, L3 e N di 3 mm ciascuno, in modo che il conduttore di terra sia più lungo di 3 mm. In questo modo si garantisce che il conduttore di terra sia l'ultimo a essere estratto dal morsetto a vite in caso di trazione.
4. Rimuovere l'isolante di L1, L2, L3, N e del conduttore di terra per 10 mm.
5. Se si utilizza filo a trefoli fini, montare L1, L2, L3, N e PE con puntalini.
6. Smontare il connettore a spina per alimentazione di rete, passare il dado girevole e il manicotto filettato sul cavo AC.
7. Inserire i cinque conduttori nei morsetti a vite sulla bussola d'attacco e serrare le viti utilizzando una coppia di 1,2 Nm con l'utensile in dotazione. Assicurarsi che tutti i conduttori siano saldamente in posizione nei terminali a vite sulla bussola d'attacco.
8. Inserire il manicotto filettato nella bussola d'attacco finché non si sente un clic. Avvitare il dado girevole sul manicotto filettato.
9. Inserire il connettore a spina per alimentazione di rete nella presa di collegamento alla rete fino a quando non scatta in posizione emettendo un suono. Per eseguire questa operazione, allineare il connettore a spina per alimentazione di rete in modo che la nervatura convessa sulla bussola d'attacco sul connettore a spina per alimentazione di rete punti prima alla scanalatura sulla presa di collegamento alla rete, quindi inserire il connettore a spina per alimentazione di rete nella presa di collegamento alla rete.

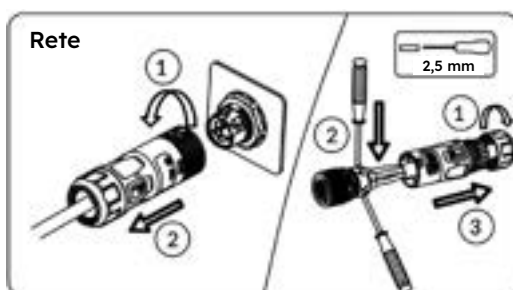


I passaggi per la connessione di backup sono simili a quelli per il collegamento alla rete, con la sola differenza del passaggio 9 descritto di seguito:

Inserire il connettore a spina di backup nella presa per il collegamento di backup fino a quando non scatta in posizione emettendo un suono. Per eseguire questa operazione, allineare il connettore a spina di backup in modo che la **scanalatura** sulla relativa bussola d'attacco sia rivolta prima alla **nervatura convessa** sulla presa di connessione di backup, quindi inserire il connettore a spina di backup nella presa di connessione di backup.

Smontare il connettore a spina per alimentazione di rete (ad esempio in caso di montaggio difettoso) procedendo come segue.

1. Scollegare il connettore a spina per alimentazione di rete. Ruotare la bussola d'attacco del connettore a spina per alimentazione di rete in senso antiorario, quindi estrarre tale connettore dalla presa di collegamento alla rete. Non tirare il cavo.
2. Sbloccare il connettore a spina per alimentazione di rete. Per eseguire questa operazione, svitare il dado girevole dal manicotto filettato, quindi inserire un cacciavite a lama piatta (larghezza lama: 2,5 mm) nell'innesto laterale e aprirlo facendo leva. Separare con cautela la bussola d'attacco.



Smontare il connettore a spina di backup (ad esempio in caso di montaggio difettoso) procedendo come segue.

1. Scollegare il connettore a spina di backup. Ruotare la bussola d'attacco del connettore a spina di backup in senso orario, quindi estrarre tale connettore dalla presa di collegamento di backup. Non tirare il cavo.
2. Sbloccare il connettore a spina di backup. Per eseguire questa operazione, svitare il dado girevole dal manicotto filettato, quindi inserire un cacciavite a lama piatta (larghezza lama: 2,5 mm) nell'innesto laterale e aprirlo facendo leva. Separare con cautela la bussola d'attacco.



## 6.3.4 Collegamento del misuratore di energia

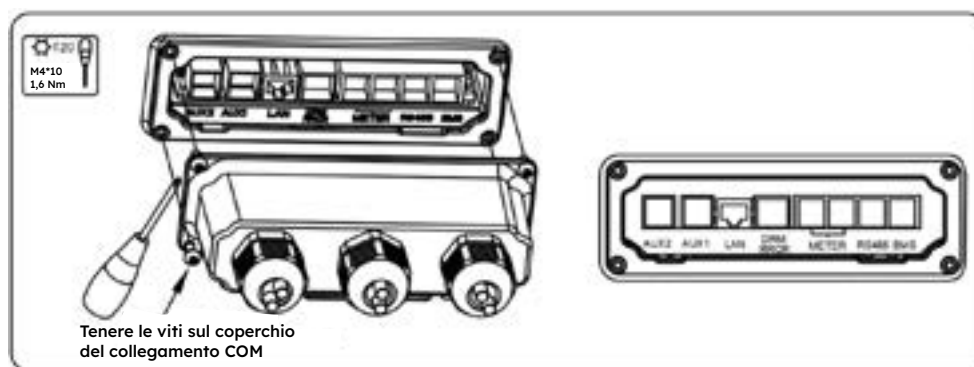
### 6.3.4.1 Valore nominale del misuratore di energia

Articolo	Corrente	Scenari
DTSU666-3*230 V 100 A/40 mA	100 A	Misuratore trifase

### 6.3.4.2 Cablaggio del misuratore

Istruzioni di cablaggio del misuratore:

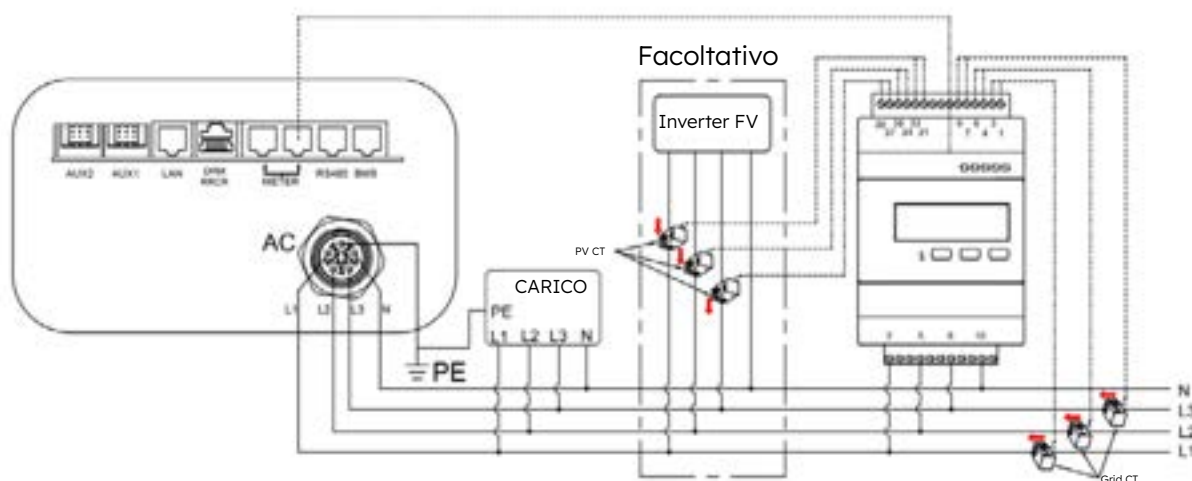
1. Estrarre il misuratore, tipo: DTSU666-3\*230 V 100 A/40 mA.
2. Preparare il cavo di comunicazione del misuratore; requisiti: cavo di rete standard (tipo consigliato: Cat5e, SFTP, resistente ai raggi UV per uso esterno).
3. Allentare il dado di assorbimento dello sforzo del pressacavi sul coperchio di collegamento COM dell'inverter e svitare le 4 viti agli angoli; quindi sarà possibile vedere due porte di comunicazione del misuratore con la stessa funzione.



4. Far passare il cavo del misuratore attraverso il pressacavo del coperchio di collegamento COM senza serrare il dado di assorbimento dello sforzo del pressacavo.
5. Inserire la spina RJ45 nella porta di comunicazione contrassegnata con il simbolo "METER".
6. Effettuare il cablaggio del misuratore secondo lo schema seguente. I collegamenti sono contrassegnati chiaramente sul misuratore.

#### AVVISO

Prestare molta attenzione durante il cablaggio o il controllo dei collegamenti perché questi appaiono invertiti quando il misuratore è fissato in posizione sulla guida DIN. Controllare sempre fisicamente l'etichetta sul misuratore quando si cablano eventuali CT o fili di riferimento della rete.



Descrizione della posizione dei fili del misuratore

TA RETE	TA FV	RETE
1-----IA* (bianco)	31-----IA* (bianco)	2-----L1
3-----IA (blu)	33-----IA (blu)	5-----L2
4-----IB* (bianco)	34-----IB* (bianco)	8-----L3
6-----IB (blu)	36-----IB (blu)	10----- N
7-----IC* (bianco)	37-----IC* (bianco)	
9-----IC (blu)	39-----IC (blu)	

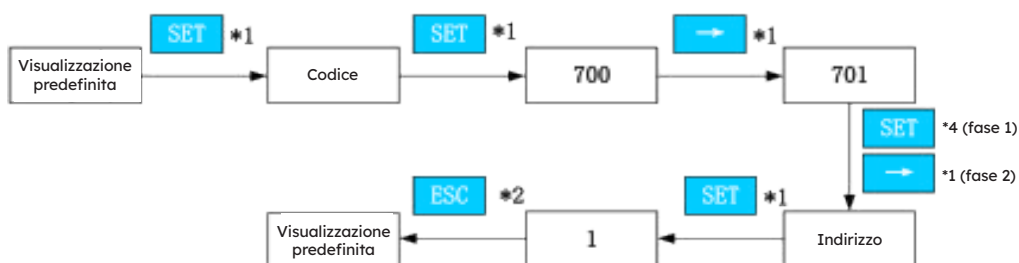
Gruppo TA	Rete -> Carico						FV -> Carico							
Fase TA	IA*	IA	IB*	IB	IC*	IC			IA*	IA	IB*	IB	IC*	IC
Terminale	1	3	4	6	7	9	X	X	31	33	34	36	37	39
Colore	Bianco	Blu	Bianco	Blu	Bianco	Blu			Bianco	Blu	Bianco	Blu	Bianco	Blu

### 6.3.4.3 Configurazione del misuratore

Istruzioni per l'impostazione del misuratore trifase:




L'indirizzo predefinito è 1. L'installatore non deve effettuare altre impostazioni. Se l'installatore vuole fare un controllo, seguire i passaggi riportati sotto.



Non modificare il "rapporto di trasformazione del misuratore".



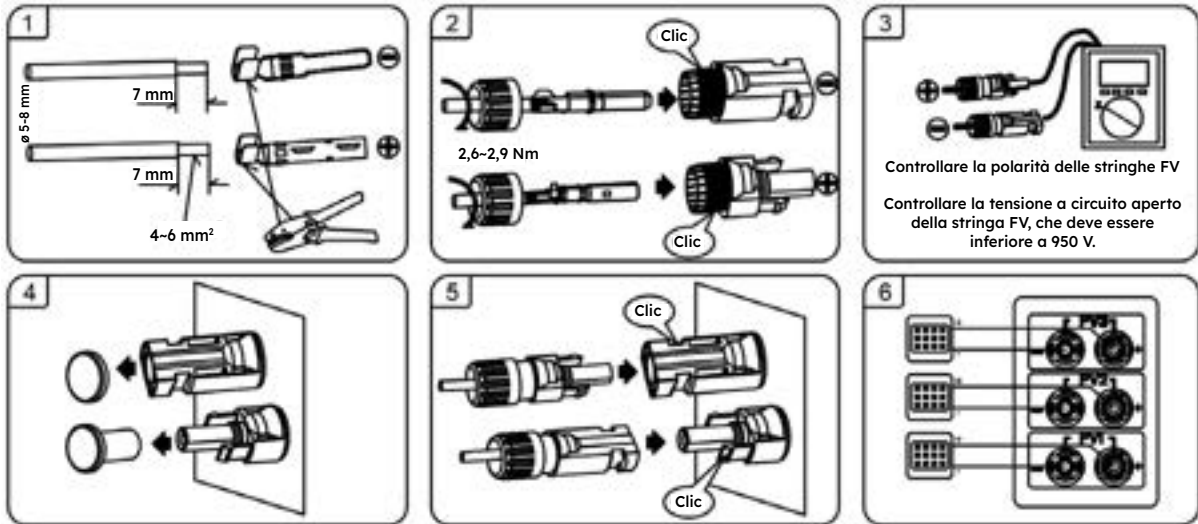
## 6.4 Collegamento FV

 <b>PERICOLO</b>	<p>Pericolo di morte per scossa elettrica in caso di contatto con componenti o cavi DC sotto tensione.</p> <p>I cavi DC collegati a una batteria o a un modulo FV possono essere sotto tensione. Toccare cavi DC sotto tensione può causare lesioni gravi o morte per scosse elettriche. Per evitare questo pericolo:</p> <ul style="list-style-type: none"><li>• Prima di intervenire sul dispositivo e sulla batteria, scollegare l'inverter dalle fonti di tensione e assicurarsi che non possa essere ricollegato.</li><li>• Non toccare parti o cavi non isolati.</li><li>• Non scollegare i connettori DC sotto carico.</li><li>• Indossare dispositivi di protezione individuale adeguati a tutti gli interventi sul prodotto.</li><li>• Osservare tutte le informazioni di sicurezza contenute in questo documento.</li></ul>
<b>AVVISO</b>	<p>Distruzione dell'inverter a causa di sovratensione</p> <p>Se la tensione a circuito aperto dei moduli FV supera la tensione massima d'ingresso dell'inverter, l'inverter può venire distrutto a causa della sovratensione.</p> <ul style="list-style-type: none"><li>• Se la tensione a circuito aperto dei moduli FV supera la tensione massima d'ingresso dell'inverter, non collegare alcuna stringa all'inverter e verificare il progetto dell'impianto FV.</li></ul>
<b>AVVISO</b>	<p>Danni al prodotto dovuti a guasto a terra sul lato DC durante il funzionamento</p> <p>A causa della topologia senza trasformatore dell'inverter, il verificarsi di guasti a terra sul lato DC durante il funzionamento può comportare danni irreparabili. I danni all'inverter dovuti a guasti o danni durante l'installazione in DC non sono coperti da garanzia. L'inverter è dotato di un dispositivo di protezione che verifica la presenza di un guasto a terra durante la sequenza di avviamento. L'inverter non è protetto durante il funzionamento.</p> <ul style="list-style-type: none"><li>• Assicurarsi che l'installazione in DC sia eseguita correttamente e che non si verifichi alcun guasto a terra durante il funzionamento.</li></ul>
<b>AVVISO</b>	<p>Danni all'inverter dovuti all'ingresso di sabbia, polvere e umidità se gli ingressi FV non sono chiusi.</p> <p>L'inverter è sigillato correttamente solo quando tutti gli ingressi FV inutilizzati sono chiusi con tappi di tenuta. La penetrazione di sabbia, polvere e umidità può danneggiare l'inverter e comprometterne la funzionalità.</p> <ul style="list-style-type: none"><li>• Sigillare tutti gli ingressi FV inutilizzati utilizzando tappi di tenuta.</li></ul>

Prima di collegare le stringhe FV all'inverter, accertarsi di quanto segue:

- Assicurarsi che la tensione aperta delle stringhe FV non superi i 950 V. La violazione di questa condizione renderà nulla la garanzia.
- Assicurarsi che la polarità dei connettori FV sia corretta.
- Assicurarsi che l'interruttore FV sia spento.
- Assicurarsi che la resistenza dell'uscita FV a terra sia superiore a 200 kOhm.

L'inverter utilizza i connettori FV MC4. Seguire l'immagine sottostante per montare i connettori FV. Requisiti della sezione del conduttore FV: 4-6 mm<sup>2</sup>



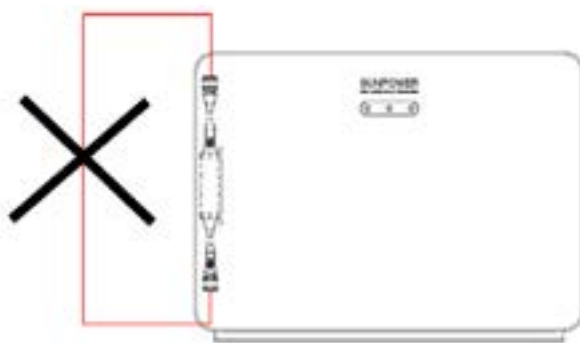
## 6.5 Collegamento elettrico tra batterie



Pericolo di morte per ustioni da archi elettrici provocati da correnti di cortocircuito.

Le correnti di cortocircuito nella batteria possono causare accumulo di calore e archi elettrici. L'accumulo di calore e gli archi elettrici possono causare lesioni mortali dovute a ustioni.

- Scollegare la batteria da tutte le fonti di tensione prima di eseguire qualsiasi intervento sulla batteria.
- Il connettore superiore della batteria inferiore è collegato al connettore inferiore della batteria superiore, altrimenti la batteria va in cortocircuito.
- Rispettare tutte le indicazioni di sicurezza della batteria fornite nelle Istruzioni di sicurezza e installazione.



I cavi che passano attraverso gli appositi fori della batteria e della base della batteria seguono una sequenza specifica. Prima prendere il cavo di alimentazione BAT che passa attraverso gli appositi fori, poi il cavo di comunicazione della batteria dalla batteria sottostante, infine il cavo di messa a terra.

Prestare attenzione ai tipi di cavi della batteria.

N.	Immagine	Descrizione
1		Il cavo di alimentazione nero fornito dalla batteria collega il connettore di potenza positivo superiore della batteria inferiore al connettore di potenza negativo inferiore della batteria superiore.
2		Il cavo di messa a terra corto fornito dalla batteria collega i punti di messa a terra delle batterie adiacenti.
3		Il cavo di alimentazione di media lunghezza nero fornito dall'inverter collega il connettore di alimentazione negativo inferiore della batteria inferiore della prima colonna di batterie in serie e il connettore di alimentazione positivo superiore della batteria superiore della seconda colonna di batterie in serie.
4		Il cavo di comunicazione della batteria fornito dall'inverter collega il connettore di comunicazione inferiore della batteria inferiore della prima colonna di batterie in serie e il connettore di comunicazione superiore della batteria superiore della seconda colonna di batterie in serie.

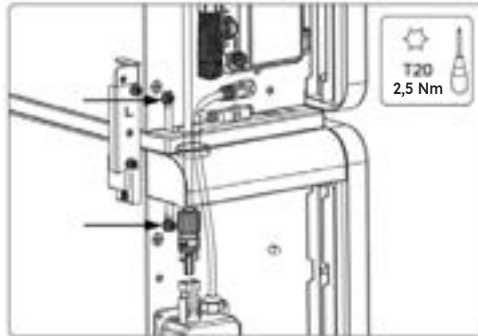
5



Il cavo di messa a terra lungo fornito dall'inverter collega il punto di messa a terra della batteria inferiore della prima colonna di batterie in serie e il punto di messa a terra della batteria inferiore (o della batteria superiore) della seconda colonna di batterie in serie.

Istruzioni per il collegamento del cavo di messa a terra tra le batterie adiacenti:

1. Allentare le viti M5 serrate nei punti di messa a terra.
2. Collegare i punti di messa a terra delle batterie adiacenti con viti M5.

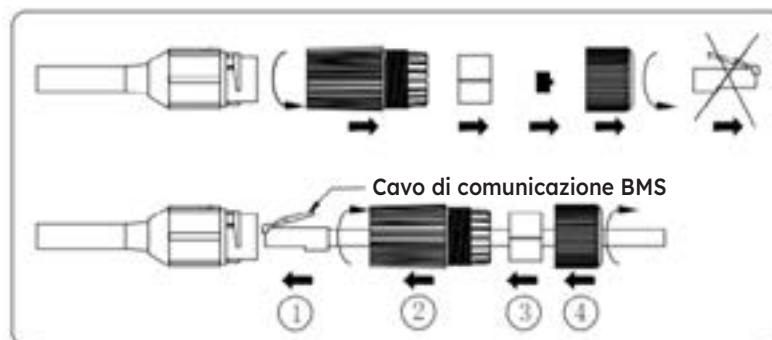


Istruzioni per il collegamento dei cavi di alimentazione tra le batterie adiacenti:

1. Collegare il connettore di potenza positivo superiore della batteria inferiore al connettore di potenza negativo inferiore della batteria superiore utilizzando il cavo di alimentazione BAT in dotazione. Prestare attenzione all'etichetta all'estremità del cavo.

Istruzioni per il collegamento dei cavi di comunicazione tra le batterie adiacenti:

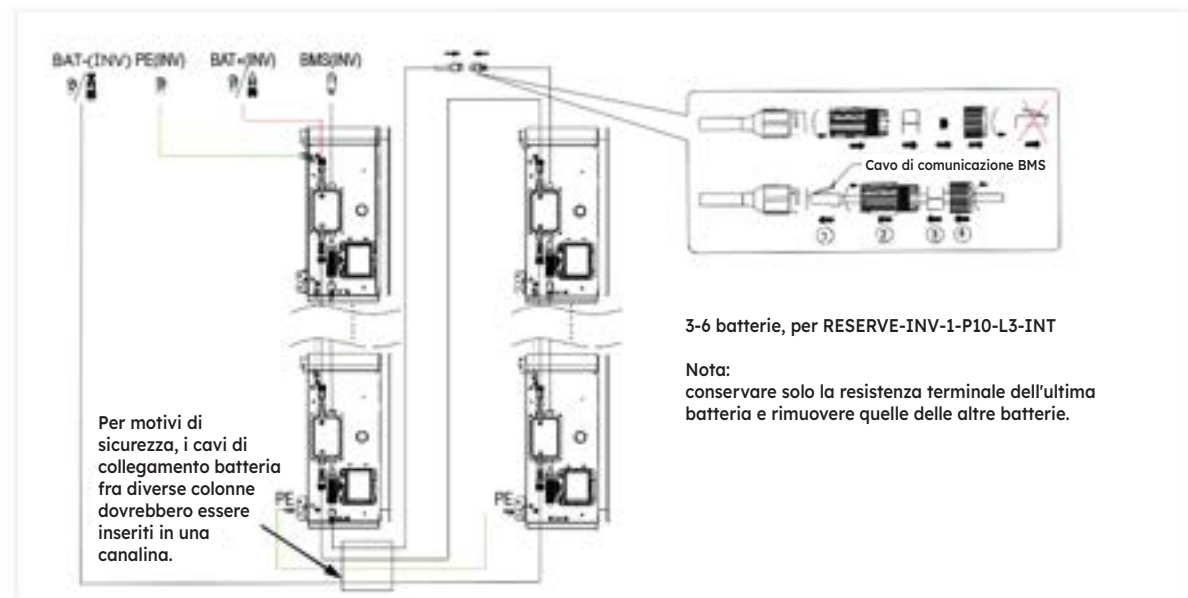
1. Disassemblare il connettore di comunicazione situato nella parte inferiore sinistra della batteria. Svitare il dado girevole dal manicotto filettato e rimuovere l'anello di tenuta, la spina di gomma e la resistenza terminale. Lasciare in posizione la resistenza terminale dell'ultima batteria.
2. Far passare il dado girevole e il manicotto filettato sul cavo di comunicazione dalla batteria sottostante. Inserire la spina RJ45 nella presa RJ45, serrare il manicotto filettato, inserire il cavo dalla spaccatura laterale dell'anello di tenuta, spingere l'anello di tenuta all'estremità del manicotto filettato e serrare il dado girevole.



Se sono presenti due batterie a colonna, è necessario eseguire un altro collegamento elettrico. Estrarre il cavo di messa a terra, il cavo di alimentazione e il cavo di comunicazione forniti dall'inverter. Eseguire il collegamento elettrico tra la batteria inferiore della prima colonna e la batteria superiore della seconda colonna. Per l'installazione dettagliata, fare riferimento a questa sezione e allo schema di cablaggio dell'impianto alla pagina successiva.

## 6.6 Collegamento elettrico tra inverter e RESERVE-BAT-1-DC-4-INT

Schema elettrico tipico dell'impianto per inverter e batterie RESERVE-BAT-1-DC-4-INT (max 6) come segue:



Per i cavi che passano attraverso gli appositi fori sul lato sinistro delle batterie e della base dell'inverter esiste una sequenza specifica. Inizialmente prendere il cavo di alimentazione positivo principale BAT che passa attraverso gli appositi fori, poi il cavo di comunicazione della batteria dalla batteria sottostante, infine il cavo di messa a terra.

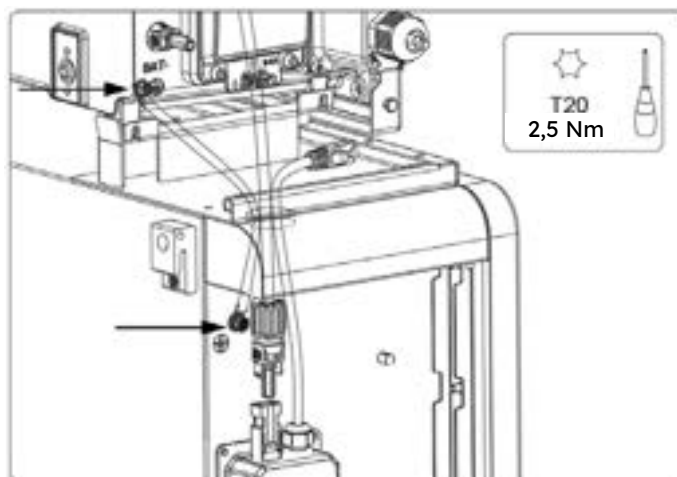
Prestare attenzione al tipo di cavo. Ne esistono di tre tipi.

N.	Immagine	Descrizione
1		Utilizzando il cavo di alimentazione rosso collegare il polo positivo principale BAT della batteria e il polo positivo BAT dell'inverter
2		Il cavo di alimentazione più lungo di colore nero collega il polo negativo principale BAT della batteria e il polo negativo BAT dell'inverter
3		Il cavo di messa a terra collega il punto di messa a terra dell'inverter e il punto di messa a terra della prima batteria.

## 6.6.1 Collegamento a terra tra INV e prima BAT

Istruzioni per il collegamento del cavo di messa a terra:

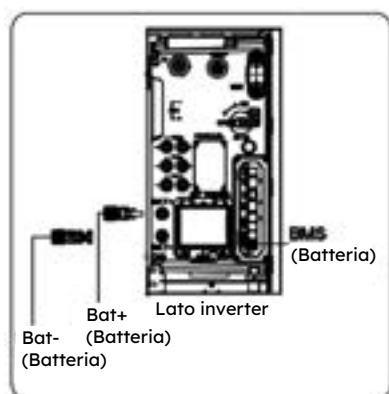
1. Allentare le viti M5 serrate nei punti di messa a terra.
2. Collegare il punto di messa a terra dell'inverter e il punto di messa a terra della prima batteria con due viti M5 (utensile: cacciavite T20, coppia: 2,5 Nm).



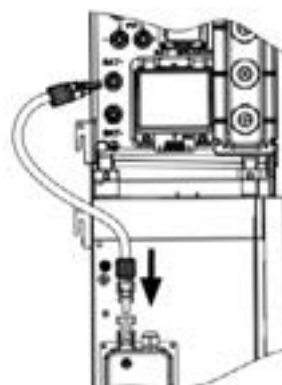
## 6.6.2 Collegamento di potenza tra INV e BAT

Istruzioni per il collegamento dei cavi di alimentazione tra l'inverter e le batterie:

1. Rimuovere i tappi di protezione dai connettori di potenza BAT dell'inverter.
2. Estrarre il cavo di alimentazione negativo principale BAT e collegare il connettore di potenza al connettore negativo BAT dell'inverter. Prestare attenzione all'etichetta all'estremità del cavo. Eseguire un'operazione simile per collegare il cavo di alimentazione negativo principale BAT al connettore di potenza inferiore dell'ultima batteria.
3. Estrarre il cavo di alimentazione positivo principale BAT e collegare il connettore di potenza al connettore positivo BAT dell'inverter. Prestare attenzione all'etichetta all'estremità del cavo. Eseguire un'operazione simile per collegare il cavo di alimentazione positivo principale BAT al connettore di potenza superiore della prima batteria.



Lato inverter

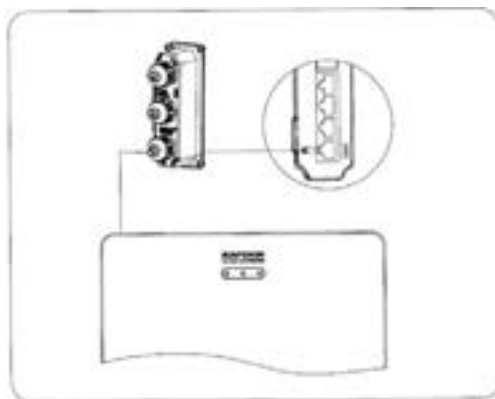


Collegamento del polo positivo tra prima BAT e INV

### 6.6.3 Collegamento di comunicazione tra INV e BAT

Istruzioni per il collegamento del cavo di comunicazione tra l'inverter e la batteria:

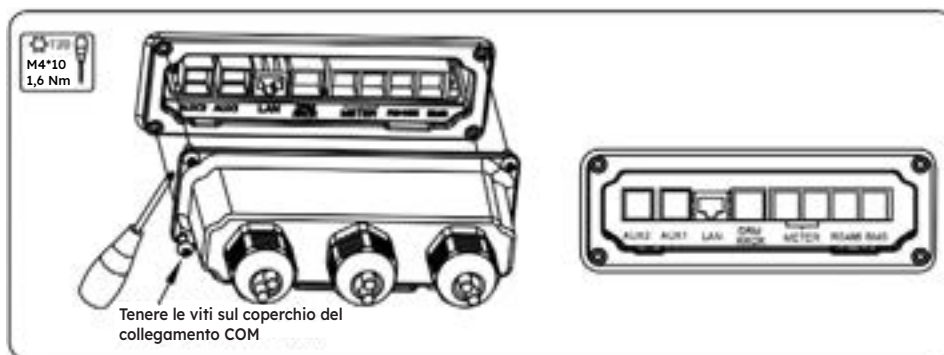
1. Passare il cavo di comunicazione della prima batteria attraverso il pressacavo del coperchio del collegamento COM dell'inverter. Non serrare il dado di assorbimento dello sforzo del pressacavo.
2. Inserire la spina RJ45 nella porta di comunicazione BMS dell'inverter.



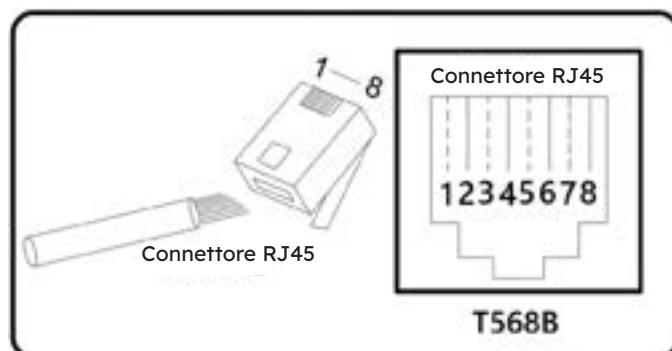
## 6.7 Altri collegamenti dei sistemi di comunicazione con l'inverter

Per gli altri collegamenti dei sistemi di comunicazione (AUX2, AUX1, LAN, RRCR & DRM, contatore, RS485), attenersi alla procedura seguente.

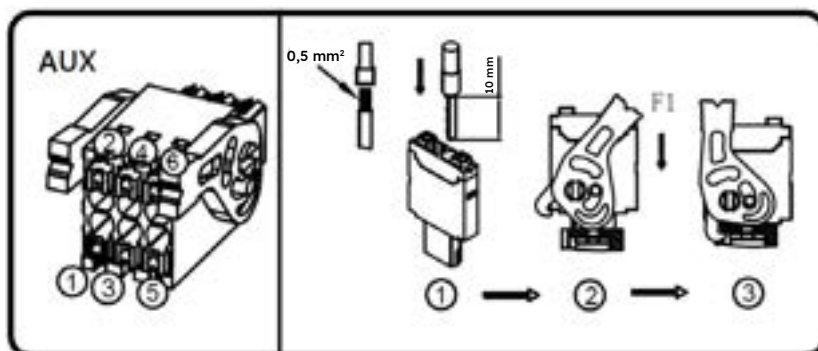
1. Allentare i pressacavi sul coperchio di collegamento COM dell'inverter, quindi svitare le 4 viti sul coperchio di collegamento COM.



2. Passare i cavi di comunicazione attraverso i pressacavi del coperchio di collegamento COM. Non serrare ancora il dado di assorbimento dello sforzo del pressacavo. Inserire i connettori RJ45 nelle relative prese RJ45.



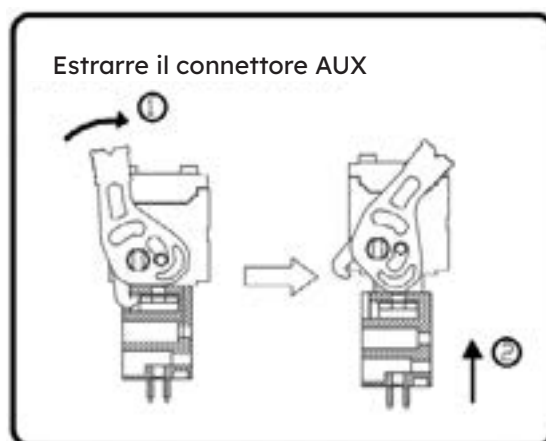
3. Per il cablaggio del contatore, fare riferimento alla sezione 6.3.4.1.
4. Se viene specificato il supporto DRM, il sistema può essere utilizzato solo in combinazione con un dispositivo di attivazione risposta alla domanda (DRED, Demand Response Enabling Device). Questo garantisce che il sistema attui sempre i comandi dell'operatore di rete per la limitazione della potenza attiva. Il sistema e il dispositivo di abilitazione alla risposta alla domanda (DRED) devono essere collegati alla stessa rete. Solo DRM0 è disponibile per l'inverter RESERVE.
5. Estrarre una morsettiera a 6 pin per il collegamento AUX. Per la definizione della posizione AUX, consultare la documentazione sul cablaggio AUX.



In caso di emergenza, ad esempio un incendio, l'utente finale può premere manualmente il pulsante EPO (Emergency Power Off) per spegnere l'inverter e la batteria (ad eccezione dell'array FV). Gli utenti finali o l'installatore devono preparare l'EPO esterno.

Requisiti del cavo AUX: cavo in rame schermato per esterni (flessibile), sezione del conduttore consigliata 0,5 mm<sup>2</sup>; le estremità del conduttore devono essere dotate di puntalini.

Per scollegare il collegamento AUX, ruotare le maniglie su entrambi i lati in senso orario, scollegare il connettore AUX, inserire un cacciavite (larghezza lama: 1,2 mm) nella posizione di connessione relativa e scollegare il conduttore.





6. Posizionare il coperchio del collegamento COM contro l'involucro dell'inverter e serrare le 4 viti. Quando si fissa il coperchio sopra le porte di comunicazione, serrarlo in posizione, quindi spingere delicatamente i cavi di comunicazione al suo interno mentre si serrano i dadi di assorbimento dello sforzo sui cavi. Questo garantisce che i cavi di comunicazione siano ben posizionati nelle porte RJ45.

La definizione dei pin delle porte di comunicazione:

Porta	Numeri pin							
BMS	1	2	3	4	5	6	7	8
	/	RS485_A4	/	CAN1_H	CAN1_L	/	RS485_B4	/
RS485	1	2	3	4	5	6	7	8
	12 V	DEBUG_RXD_COM	GND	RS485_B5	RS485_B5	/	DEBUG_TXD_COM	/
MISURATORE	1	2	3	4	5	6	7	8
	/	/	RS485_A7	/	/	RS485_B7	/	/
DRM	1	2	3	4	5	6	7	8
	DRED 1/5	DRED 2/6	DRED 3/7	DRED 4/8	REF GEN/0	COM LOAD/0	/	/
RRCR	1	2	3	4	5	6		
	K1	K2	K3	K4	3,3 V	/		
AUX1	1	2	3	4	5	6		
	DO1_NO	DO1_COM	DO1_NC	DI_negativo	DI_positivo	GND		
AUX2	1	2	3	4	5	6		
	DO2_NO	DO2_COM	DO2_NC	DI_negativo	DI_positivo	GND		

## 6.8 Montaggio delle cover dell'inverter e della batteria

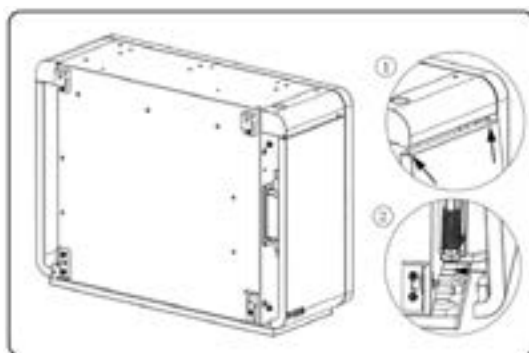
Assicurarsi che tutti i cablaggi siano ben fissati e che il sistema funzioni correttamente, quindi montare le cover dell'inverter e della batteria.

## 6.8.1 Montaggio delle piastre laterali della batteria

Montaggio delle piastre laterali della batteria

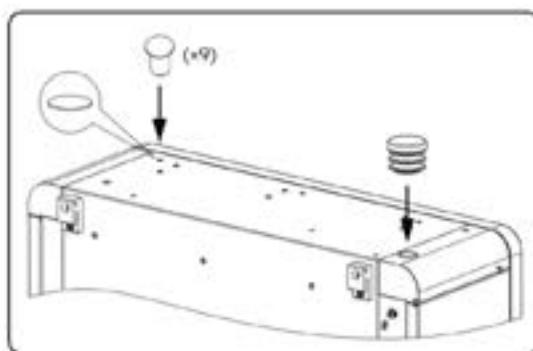
1. Estrarre la piastra laterale sinistra e la piastra laterale destra.
2. Allineare la piastra laterale sinistra in modo che i due fori sul bordo superiore siano rivolti verso i perni in rilievo sulla parte inferiore della maniglia sinistra, quindi spingere la parte inferiore della piastra laterale sinistra verso l'alloggiamento della batteria fino a sentire un clic.

Eseguire una procedura simile per montare la piastra laterale destra.



## 6.8.2 Montaggio dei tappi in silicone e in plastica sulla parte superiore della batteria

Se è stata installata la seconda colonna di batterie in serie, estrarre i tappi in silicone e in plastica e inserirli nei fori designati per migliorare l'aspetto della parte superiore della batteria.



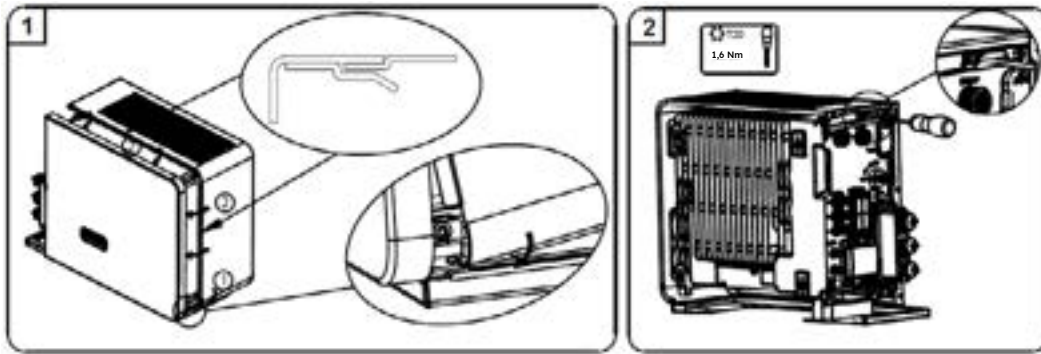
## 6.8.3 Montaggio delle cover dell'inverter



Il numero di serie e il codice di controllo dell'inverter si trovano sul lato destro dell'inverter. Assicurarsi di averli annotati prima di installare la cover.

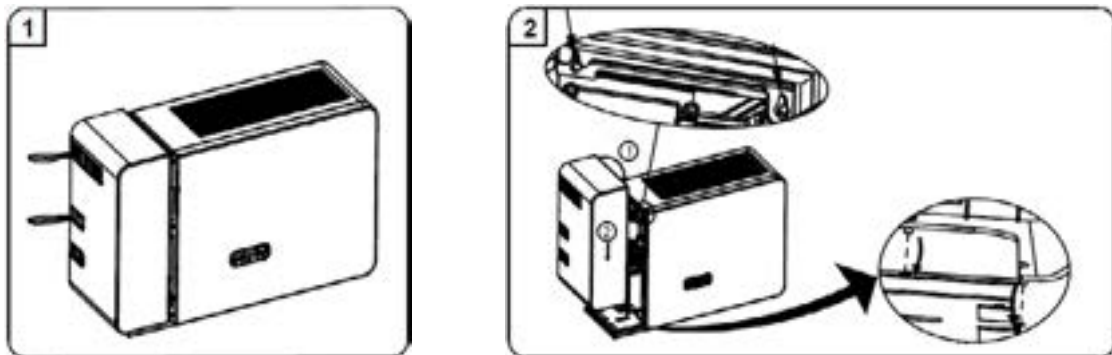
Fissare la cover laterale all'inverter.

1. Rimuovere la cover laterale.
2. Inserire il bordo inferiore destro della cover laterale nella fessura sulla base dell'inverter, spingere il bordo anteriore della cover laterale verso il bordo della cover anteriore dell'inverter fino ad allineare le due viti laterali sulla cover laterale con i fori filettati di montaggio dell'inverter; fissarle (utensile: cacciavite T20, coppia: 1,6 Nm).



Fissare il copricavi all'inverter.

1. Rimuovere il copricavi.
2. Posizionare il copricavi contro il lato sinistro dell'inverter. Praticare i fori per i cavi in base al percorso dei cavi FV e AC e inserire i cavi attraverso i fori.
3. Allineare i fori presenti sul lato destro del copricavi con i ganci posti sul lato sinistro del coperchio anteriore dell'inverter, spingere il copricavi verso il basso lungo il bordo del coperchio anteriore.



## 7.0 Procedura di avvio e spegnimento

### 7.1 Procedura di avvio

1. Accendere il SEZIONATORE DEL SISTEMA DI BATTERIE situato sul lato inferiore sinistro dell'inverter.
2. Accendere gli INTERRUTTORI BATTERIA di tutte le batterie posizionati in basso a sinistra sulle batterie.
3. Accendere l'ALIMENTAZIONE DI RETE AC dell'inverter.
4. Accendere l'ALIMENTATORE DI BACKUP dall'inverter, se installato.
5. Accendere l'interruttore FV (se presente) tra le stringhe FV e l'inverter.
6. Accendere il SEZIONATORE FV sul lato sinistro dell'inverter direttamente sotto la porta Wi-Fi, se i campi FV sono collegati direttamente all'inverter.
7. Accendere l'interruttore AC (se presente) tra l'inverter FV e la rete.

### 7.2 Procedura di spegnimento



Dopo che il sistema di accumulo di energia è stato spento, la carica e il calore residui possono ancora causare scosse elettriche e ustioni. Pertanto, indossare i guanti protettivi e attendere il prodotto per 5 minuti dopo lo spegnimento.

1. Posizionare il commutatore, se presente, in modo che prelevi i carichi dalla RETE.
2. Spegnerne l'ALIMENTATORE DI BACKUP dall'inverter, se installato.
3. Spegnerne l'interruttore FV (se presente) tra le stringhe FV e l'inverter.
4. Se i campi FV sono collegati direttamente all'inverter, spegnere il SEZIONATORE FV sul lato sinistro dell'inverter immediatamente sotto la porta Wi-Fi.
5. Spegnerne gli INTERRUTTORI BATTERIA di tutte le batterie posizionati in basso a sinistra sulle batterie.
6. Spegnerne il SEZIONATORE DEL SISTEMA DI BATTERIE situato sul lato inferiore sinistro dell'inverter.
7. Spegnerne l'ALIMENTAZIONE DI RETE AC dell'inverter.
8. Spegnerne l'interruttore AC (se presente) tra l'inverter FV e la rete.

### 7.3 Controlli prima dell'avvio

N.	Cosa controllare	Criteri di accettazione
1	Ambiente di montaggio	Lo spazio di montaggio è adeguato e l'ambiente di montaggio è pulito e ordinato, senza oggetti estranei.
2	Montaggio del pacco batterie e dell'inverter	Il pacco batterie e l'inverter sono montati in modo corretto, sicuro e affidabile.
3	Montaggio del WiFi	Il modulo WiFi è montato in modo corretto, sicuro e affidabile.
4	Disposizione dei cavi	I cavi vengono instradati correttamente come richiesto dal cliente.
5	Fascetta	Le fascette sono fissate in modo uniforme e non ci sono sbavature.
6	Cavo di messa a terra	Il cavo di terra è collegato in modo corretto, sicuro e affidabile.
7	Stato dell'interruttore e dei sezionatori	L'interruttore FV (se presente), gli interruttori della batteria e tutti gli interruttori che collegano il prodotto sono spenti.
8	Collegamenti dei cavi	I cavi AC, i cavi FV (se presenti), i cavi di alimentazione della batteria e i cavi di comunicazione sono collegati in modo corretto, sicuro e affidabile.
9	Terminali di alimentazione non utilizzati	Le porte di alimentazione e di comunicazione non utilizzate sono bloccate da tappi a tenuta stagna.

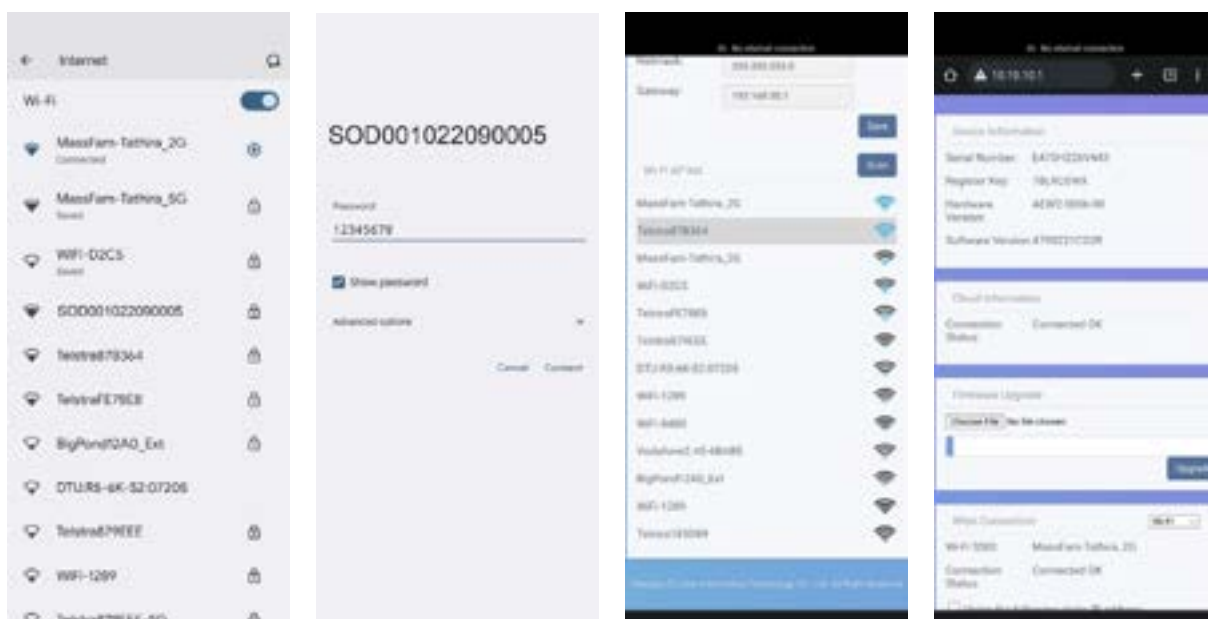
## 8.0 Configurazione di un nuovo sistema (messa in servizio)

### 8.1 Collegamento di Reserve a Internet

Per avviare il processo di messa in servizio di SunPower Reserve dopo la sua installazione, è essenziale stabilire una connessione dati (internet) funzionale, necessaria anche per il monitoraggio continuo. SunPower Reserve offre due metodi di connessione dati: Ethernet e Wi-Fi.

Se si sceglie una connessione Ethernet, non è necessaria alcuna configurazione aggiuntiva. Tuttavia, se si preferisce una connessione Wi-Fi, attenersi alla procedura seguente per collegare il sistema alla rete Wi-Fi del proprietario:

1. Sul proprio dispositivo mobile, accedere alle impostazioni Wi-Fi e individuare la rete Wi-Fi associata all'unità SunPower Reserve. Questa rete è identificabile dal numero di serie dell'unità.
2. Collegarsi alla rete dell'unità Reserve utilizzando la password predefinita: 12345678
3. Una volta effettuato il collegamento, lanciare il proprio browser mobile e inserire l'indirizzo IP dell'unità SunPower Reserve: 10.10.10.1. Questa azione consentirà di visualizzare una semplice interfaccia che permette di collegare l'unità Reserve alla rete Wi-Fi locale.
4. Toccare l'opzione "Scan" ("Scansiona") nella parte inferiore dello schermo per cercare le reti disponibili.
5. Dall'elenco delle reti visualizzate, selezionare la rete a cui l'unità Reserve dovrà collegarsi e inserire la password del Wi-Fi corrispondente.
6. Una volta stabilita la connessione, l'interfaccia fornirà il messaggio di conferma "Connected OK" ("Connessione OK").



Seguendo queste istruzioni, SunPower Reserve può essere collegato e configurato in modo efficace per il funzionamento.

Se per qualche motivo SunPower Reserve ha perso la connessione a Internet, ad esempio se il cliente ha cambiato la password del Wi-Fi, la procedura sopra descritta consentirà anche ai clienti di ripristinare la connessione a Internet di SunPower Reserve.

## 8.2 Download e installazione dell'app SunPower One

1. Gli utenti di dispositivi Android possono scaricare l'app SunPower One da Google Play.
2. Gli utenti di dispositivi iOS possono scaricare l'applicazione SunPower One da Appstore



Gli strumenti di messa in servizio, compresi i dati di accesso, sono disponibili solo per gli installatori che hanno completato la formazione necessaria.

## 8.3 Accensione e controllo dello stato del sistema

Assicurarsi che l'interruttore fotovoltaico, gli interruttori della batteria e tutti gli interruttori collegati al prodotto siano accesi.

## 8.4 Messa in servizio di SunPower Reserve

Prima di iniziare, assicurarsi che il sistema Reserve sia installato correttamente e che disponga di una connessione dati funzionante.

Di seguito è riportato un riepilogo dei passaggi necessari per la messa in servizio di SunPower Reserve. Fare riferimento alle seguenti istruzioni:

1. Avviare l'app SunPower One e accedere utilizzando il proprio nome utente SunPower One (e-mail) e la password.
2. Nella schermata iniziale, toccare "Inizia" per avviare il processo di messa in servizio di un nuovo sistema.
3. Nella schermata successiva, inserire l'indirizzo e-mail del cliente per il quale si sta installando il sistema. Questa e-mail verrà utilizzata per preconfigurare l'account del cliente necessario per accedere all'applicazione SunPower One. È fondamentale verificare l'accuratezza dell'e-mail con il cliente e assicurarsi che possa accedervi sul proprio dispositivo mobile.
4. Selezionare la configurazione di sistema appropriata come indicato nella sezione 3.3 e seguire la procedura fornita dall'app per completare l'attivazione e la configurazione dell'installazione.
5. Una volta completata la configurazione di Reserve, verrà inviata al cliente un'e-mail di conferma. Questa e-mail conterrà un link all'app SunPower One, che consentirà al cliente di attivare il proprio account SunPower One e di usufruire dell'esperienza completa di SunPower One.

Seguire la procedura sopra descritta per mettere in servizio il sistema SunPower Reserve.



Lo standard di sicurezza/il codice paese deve essere impostato correttamente.

La scelta di uno standard di sicurezza non valido per il proprio paese e non adatto al proprio scopo può creare disturbo nel sistema di accumulo di energia e causare problemi con l'operatore di rete. Nella scelta dello standard di sicurezza, rispettare sempre gli standard e le direttive locali, nonché le caratteristiche dell'impianto fotovoltaico (ad es. le dimensioni dell'impianto, il punto di collegamento alla rete). Se non si è sicuri di quale sia lo standard di sicurezza valido per il proprio paese o il proprio scopo, contattare il gestore di rete per avere informazioni sullo standard di sicurezza da configurare.



Nella fase 4 del processo di messa in servizio, i parametri disponibili cambiano a seconda della configurazione selezionata. In questa fase è importante verificare che siano inseriti i valori corretti.

## 8.5 Controllo del backup CA (se disponibile)

Accendere un apparecchio elettrico collegato alla porta backup dell'inverter.

Accendere l'interruttore backup dell'inverter.

Spegnere l'interruttore AC tra la rete e l'inverter.

Il prodotto entrerà subito in modalità backup.

Controllare che l'apparecchio elettrico sul lato del backup continui a funzionare.



Durante la messa in servizio, se gli indicatori LED sul display dell'inverter sono rossi o se quelli sul display della batteria sono gialli, consultare la sezione dedicata alla risoluzione dei problemi (9.0).

## 8.6 Istruire l'utente finale riguardo all'installazione dell'app SunPower One

Assicurarsi che il proprietario dell'abitazione abbia scaricato l'app e attivato il proprio account tramite l'e-mail di benvenuto.



La registrazione della garanzia del sistema SunPower Reserve è completa quando il cliente finale ha attivato il proprio account cliente.

## 9.0 Manutenzione e risoluzione dei problemi

### 9.1 Manutenzione ordinaria

Normalmente il sistema di accumulo di energia non necessita di manutenzione o taratura. Tuttavia, ai fini della precisione del SOC, si consiglia di raggiungere uno stato di carica della batteria completo ogni due settimane altrimenti il SOC potrebbe diventare impreciso. Prima della pulizia, assicurarsi che il sistema sia scollegato da tutte le fonti di alimentazione. Pulire l'alloggiamento, il coperchio e il display con un panno morbido. Per far sì che il sistema di accumulo di energia funzioni correttamente nel lungo periodo, si consiglia di eseguire la manutenzione ordinaria come descritto in questa sezione.

#### Elenco di controllo per la manutenzione

Cosa controllare	Criteri di accettazione	Intervallo di manutenzione
Pulizia del prodotto	L'involucro dell'inverter deve essere libero da ostacoli o polvere.	Una volta ogni 6-12 mesi
Danno visibile al prodotto	Il prodotto non deve essere danneggiato o deformato.	Una volta ogni 6-12 mesi
Stato di funzionamento del prodotto	<ol style="list-style-type: none"><li>1. Il prodotto deve funzionare senza emettere suoni anomali.</li><li>2. Tutti i parametri del prodotto devono essere impostati correttamente. Eseguire questo controllo quando il prodotto è in funzione.</li></ol>	Una volta ogni 6-12 mesi
Collegamenti elettrici	<ol style="list-style-type: none"><li>1. I cavi devono essere collegati in modo sicuro.</li><li>2. I cavi devono essere intatti e, in particolare, le guaine che toccano la superficie metallica non devono essere graffiate.</li><li>3. I pressacavi non utilizzati devono essere bloccati da guarnizioni in gomma fissate da tappi a pressione.</li></ol>	Eseguire la prima manutenzione 6 mesi dopo la messa in servizio iniziale. Successivamente, eseguire la manutenzione una volta ogni 6-12 mesi.





Rischio di ustioni dovute all'involucro caldo dell'inverter

L'involucro dell'inverter può surriscaldarsi durante il funzionamento.

- Durante il funzionamento, non toccare altre parti oltre al pannello del display.
- Attendere circa 30 minuti che l'inverter si raffreddi prima della pulizia.

## 9.2 Risoluzione dei problemi

Per mantenere l'accuratezza del SOC, potrebbe essere necessario caricare completamente la batteria. Ciò comporterà il ripristino del SOC della batteria.

### 9.2.1 Risoluzione degli errori dell'inverter

I codici di errore sono accessibili dal portale SunPower per installatori.

Errore n.	Descrizione dell'errore	Soluzione
4	Inverter_lost	Comunicazione con l'inverter persa <ol style="list-style-type: none"><li>1. Riavviare il sistema e verificare che il guasto sia stato eliminato.</li><li>2. Contattare il servizio clienti per aggiornare da remoto il programma EMS e DSP dell'inverter, dopodiché verificare se il guasto persiste.</li><li>3. Se il guasto non può essere eliminato, contattare il centro assistenza per ulteriori controlli.</li></ol>
100000	Grid_OVP	<ol style="list-style-type: none"><li>1. Controllare se la rete presenta anomalie.</li></ol>
100001	Grid_UVP	<ol style="list-style-type: none"><li>2. Verificare che il collegamento del cavo di rete sia normale.</li></ol>
100002	Grid_OFP	<ol style="list-style-type: none"><li>3. Riavviare l'inverter e verificare se il guasto è ancora presente.</li></ol>
100003	Grid_UFP	
100005	BUS_OVP1	Controllare se la tensione d'ingresso di PV1, PV2 e PV3 supera i 1000 V. Se è inferiore, riavviare l'inverter per verificare se il guasto persiste. Se persiste, contattare il centro assistenza.
100007	Insulation_fault	<ol style="list-style-type: none"><li>1. Verificare che il collegamento del cavo FV sia affidabile.</li><li>2. Controllare se il cavo FV è danneggiato.</li></ol>
100008	GFCI_fault	<ol style="list-style-type: none"><li>1. Riavviare l'inverter e verificare se il guasto è ancora presente.</li></ol>
100010	GFCI_fault	
100011	Over_Temperature	<ol style="list-style-type: none"><li>1. Controllare se l'ambiente intorno all'inverter è caratterizzato da una scarsa dissipazione del calore.</li><li>2. Verificare che l'installazione dell'inverter sia conforme ai requisiti di installazione.</li></ol>

100012	PV_Reverse	<ol style="list-style-type: none"> <li>1. Controllare se il morsetto FV dell'inverter è invertito.</li> <li>2. Se è corretto, contattare il centro assistenza.</li> </ol>
100013	BAT_Reverse	<ol style="list-style-type: none"> <li>1. Controllare se il morsetto FV dell'inverter è invertito.</li> <li>2. Se è corretto, contattare il centro assistenza.</li> </ol>
100017	MPPT1_OVP	Controllare la tensione di PV1. Se supera i 1000 V DC, ridurre il numero di moduli FV.
100021	MPPT2_OVP	Controllare la tensione di PV2. Se supera i 1000 V DC, ridurre il numero di moduli FV.
100025	BAT_OVP	Controllare se la tensione effettiva della batteria supera di oltre 20 V la tensione di spegnimento della carica della batteria.
100026	BAT_UVP	Controllare se la tensione effettiva della batteria è inferiore alla tensione di scarica della batteria.
100027	Battery_lost	Verificare che il cablaggio sia normale e che il valore di campionamento della tensione della batteria sia inferiore a 75 V.

Errore n.	Descrizione dell'errore	Soluzione
100042	Output_short_circuit	<ol style="list-style-type: none"> <li>1. Usare un multimetro per verificare l'impedenza dell'uscita "off grid". Se è ridotta, controllare che il cablaggio sia corretto.</li> <li>2. Riavviare l'inverter per verificare se il guasto persiste. Se persiste, contattare il centro assistenza.</li> </ol>
100043	Output_overload	Controllare se il carico supera la potenza nominale. Riavviare l'inverter per verificare se il guasto persiste. Se persiste, contattare il centro assistenza.
100052	Backup_ovp	Riavviare l'inverter per verificare se il guasto persiste. Se persiste, contattare il centro assistenza.
7	BMS perso	<p>BMS perso</p> <ol style="list-style-type: none"> <li>1. Controllare se il collegamento di comunicazione BMS tra la batteria e l'inverter è normale.</li> <li>2. Controllare che la batteria sia accesa.</li> <li>3. Se il guasto non può essere eliminato, contattare il centro assistenza per ulteriori controlli.</li> </ol>
60002	Circuit_Breaker_Open	Provare ad accendere tutti gli interruttori delle batterie. Se l'azione non risolve il problema, contattare il servizio clienti.

60004	Slave_Battery_Communication_Lost	
60006	Master_Battery_Communication_Lost	Controllare i cavi di comunicazione tra le batterie.
60008	Multi_Master_error	
5	Lettura misuratore energia lato rete perso	<p>Misuratore lato rete perso</p> <ol style="list-style-type: none"> <li>1. Controllare che i parametri di configurazione del sistema siano corretti e che il misuratore sia utilizzato sul lato della rete.</li> <li>2. Controllare che il cavo di comunicazione del misuratore di rete sia collegato correttamente (RS485: 3A6B).</li> <li>3. Controllare che i parametri di configurazione della comunicazione del misuratore di rete siano corretti (indirizzo di comunicazione e velocità di trasmissione).</li> <li>4. Se il guasto non può essere eliminato, contattare il centro assistenza per ulteriori controlli.</li> </ol>
6	Lettura misuratore energia lato FV perso	<p>Misuratore lato inverter FV perso</p> <ol style="list-style-type: none"> <li>1. Controllare se i parametri di configurazione del sistema sono corretti e se il misuratore è utilizzato sul lato dell'inverter FV.</li> <li>2. Controllare che i parametri di configurazione della comunicazione del misuratore del lato del misuratore dell'inverter FV siano corretti (indirizzo di comunicazione e velocità di trasmissione). (RS485: 3A6B).</li> <li>3. Controllare che i parametri di configurazione della comunicazione del misuratore del lato del misuratore dell'inverter FV siano corretti (indirizzo di comunicazione e velocità di trasmissione).</li> <li>4. Se non è possibile eliminare il guasto, contattare il centro assistenza per ulteriori controlli.</li> </ol>

## 9.2.2 Descrizione degli errori dell'inverter















I quattro LED nella fila superiore sono: sistema (SYS), batteria (BAT), misuratore (METER) e comunicazione (COM).

I cinque LED della fila inferiore sono suddivisi in due funzioni:

SOC della batteria di tutte le batterie del sistema di accumulo di energia

Quando si verifica un errore, viene visualizzato il codice di errore corrispondente. Da destra a sinistra, i numeri rappresentati da ciascuna luce sono 1, 2, 4, 8, 16.

Indicatore LED	Codice di errore	Display LED	Descrizione
La luce SYS rossa lampeggia rapidamente	4		1. Inverter perso
La luce SYS rossa è accesa; la luce METER lampeggia rapidamente se il misuratore di rete è stato perso. La luce SYS rossa è accesa;	5		Misuratore di rete perso
La luce METER lampeggia lentamente se il misuratore FV è stato perso; è spenta se tutti i misuratore sono stati persi;	6		Misuratore FV perso
La luce SYS rossa è accesa, la luce BAT è spenta	7		1. BMS perso
L'inverter è difettoso; la luce SYS rossa lampeggia rapidamente	100000		Grid_OVP
L'inverter è difettoso; la luce SYS rossa lampeggia rapidamente	100001		Grid_UVP
	100002		Grid_OFP
	100003		Grid_UFP
L'inverter è difettoso; la luce SYS rossa lampeggia rapidamente	100005		BUS_OVP1
	100007		Insulation_fault
	100008		GFCI_fault
	100010		Grid_relay_fault
	100011		Over_Temperature

	100012		PV_Reverse
	100013		BAT_Reverse
	100017		MPPT1_OVP
	100021		MPPT2_OVP
L'inverter è difettoso; la luce SYS rossa lampeggia rapidamente	100025		BAT_OVP
	100026		BAT_UVP
	100027		Battery_lose
	100042		Output_short_circuit
	100043		Output_overload
	100052		Backup_ovp
	La luce SYS rossa è accesa; la luce BAT lampeggia quando la batteria è difettosa.	60002	
60004			Slave_Battery_Communication_Lost
60006			Master_Battery_Communication_Lost
La luce SYS rossa è accesa, la luce BAT lampeggia quando la batteria è difettosa	60008		Multi_Master_error









  
**SUGGERI-  
MENTO**

1. I quattro LED della prima fila sono: sistema (SYS), batteria (BAT), misuratore (METER) e comunicazione (COM).
2. I cinque LED della seconda fila sono suddivisi in due funzioni:
  - Visualizzazione della potenza SOC della batteria
  - Quando si verifica un guasto, viene visualizzato il codice di guasto corrispondente.


### 9.2.3 Descrizione della protezione della batteria

I tre indicatori LED sul coperchio anteriore forniscono informazioni sullo stato di protezione della batteria.

Simbolo	Descrizione
	LED giallo lampeggiante
	LED giallo acceso
	LED spento

Stato display LED	Descrizione	Risoluzione dei problemi
	Differenza di temperatura	Attendere il ripristino automatico. Se questo stato di protezione persiste, contattare l'assistenza.
	Temperatura elevata	Interrompere la scarica e la carica fino a quando non scompare questo stato di protezione e attendere che la temperatura si abbassi.
	Scarica a bassa temperatura	Interrompere la scarica fino a quando non scompare questo stato di protezione e attendere che la temperatura aumenti.
	Carica da sovracorrente	Attendere il ripristino automatico.
	Scarica da sovracorrente	Se questo stato di protezione non è stato risolto, contattare l'assistenza.
	Sovratensione cella	Attendere il ripristino automatico. Se questo stato di protezione persiste a lungo, contattare l'assistenza.
	Cella sotto tensione	Interrompere la scarica e chiamare immediatamente l'assistenza.
	Carica a bassa temperatura	Interrompere la scarica finché non viene eliminato questo stato di visualizzazione e attendere che la temperatura salga.

**AVVISO**

Se durante la modalità di lavoro viene visualizzato lo stato di protezione "Cella sotto tensione",  procedere come segue:

come prima cosa spegnere l'interruttore situato in basso a sinistra della batteria, accenderlo e attendere 3-5 secondi, spegnerlo, quindi accenderlo e attendere 3-5 secondi, spegnerlo nuovamente, infine riaccenderlo. Il BMS sarà costretto ad accendere il MOSFET di scarica in modo che l'inverter possa rilevare la tensione aperta della batteria e iniziare a caricarla.

### 9.2.4 Descrizione degli errori della batteria

Le tre spie LED sul coperchio anteriore forniscono informazioni sullo stato di errore della batteria.

Simbolo	Descrizione
	LED giallo lampeggiante
	LED giallo acceso
	LED spento

Stato display LED	Descrizione	Risoluzione dei problemi
	Errore hardware	Attendere il ripristino automatico.
	Errore hardware	Se l'errore persiste, contattare l'assistenza.
	Interruttore aperto	Accendere l'interruttore dopo aver spento la batteria.
	Disconnessione LMU (follower)	Ricollegare il cavo di comunicazione del BMS.
	SN mancante	Contattare l'assistenza.
	Disconnessione LMU (host)	Ricollegare il cavo di comunicazione del BMS.
	Versione software incoerente	Contattare l'assistenza.
	Multi-host	Riavviare tutte le batterie.

	MOS surriscaldato	Spegnere la batteria e accenderla dopo 30 minuti.
	Guasto di isolamento	Riavviare la batteria. Se l'errore persiste, contattare l'assistenza.
	Guasto di tensione totale	Riavviare la batteria. Se l'errore persiste, contattare l'assistenza.
	Guasto precarica	Riavviare la batteria. Se l'errore persiste, contattare l'assistenza.



## 10.0 Disinstallazione e restituzione

### 10.1 Rimozione del prodotto

Per disattivare completamente il sistema di accumulo di energia al termine della sua vita utile, seguire la procedura dettagliata descritta in questa sezione.

1. Spegnerne il sistema di accumulo di energia seguendo le istruzioni del capitolo 7.2 Procedura di spegnimento del sistema.
2. Rimuovere il copricavi dell'inverter.  
Rimuovere le piastre laterali di sinistra delle batterie.
3. Attendere 30 minuti per il raffreddamento dell'involucro dell'inverter.
4. Scollegare tutti i cavi dal sistema, compresi i cavi di comunicazione, i cavi di alimentazione FV, i cavi di alimentazione della batteria, i cavi AC e i cavi PE.
5. Rimuovere il modulo Wi-Fi.
6. Rimuovere il coperchio laterale dell'inverter.
7. Rimuovere l'inverter dalla parte superiore della batteria.
8. Rimuovere le piastre laterali di destra delle batterie.
9. Rimuovere le batterie.
10. Se le batterie sono state montate con la base del sistema, rimuovere la piastra di collegamento a parete della batteria.  
Rimuovere la piastra di collegamento a parete della base del sistema.  
Rimuovere la base del sistema.
11. Rimuovere le eventuali staffe di montaggio a parete delle batterie.

### 10.2 Imballaggio del prodotto

Se è disponibile la confezione originale, inserire il prodotto al suo interno e sigillarlo con del nastro adesivo.

Se la confezione originale non è disponibile, inserire il prodotto in una scatola di cartone adatta e sigillarla adeguatamente.

### 10.3 Smaltimento del prodotto

Al termine del ciclo di vita del prodotto, smaltirlo secondo le norme locali sullo smaltimento dei rifiuti di apparecchiature elettriche e componenti elettronici.

Smaltire l'imballaggio e le parti sostituite secondo le regole vigenti nel luogo di installazione del dispositivo.

Non smaltire il prodotto con i normali rifiuti domestici.



Li-Ion



## 11.0 Dati tecnici

### 11.1 Scheda tecnica dell'inverter

Articolo	RESERVE-INV-1-P10-L3-INT
<b>Ingresso DC (lato FV)</b>	
Potenza FV max consigliata	20.000 W
Corrente max tensione d'ingresso FV	1000 V
Tensione nominale	720 V
Tensione di avvio	120 V
Intervallo di tensione MPPT	140-950 V
Corrente d'ingresso max per MPPT	16 A/16 A/16 A
Corrente di cortocircuito max per MPPT	24 A/24 A/24 A
Numero di MPPT	3
Categoria di sovratensione secondo IEC 62109-1	II
<b>Batteria</b>	
Tipo di batteria	LFP (LiFePO4)
Intervallo di tensione della batteria	160-700 V
Potenza di carica max	10 kW
Potenza di scarica max	10 kW
Corrente di carica/scarica max	40 A/40 A
Comunicazione	CAN
<b>AC uscita (backup, on grid)</b>	
Potenza di uscita nominale	10 kW
Potenza di uscita apparente nominale	10 kVA
Corrente di uscita nominale a 230 V	14,5 A
Potenza di uscita continua max	15 kW
Potenza di uscita apparente continua max	15 kVA
Corrente di uscita max	21,7 A

Tensione di uscita nominale	3L/N/PE, 380/400 V
Frequenza nominale	50/60 Hz
<b>Uscita Back-up</b>	
Potenza di uscita nominale	10 kW
Potenza di uscita apparente nominale	10 kVA
Corrente di uscita nominale a 230 V	14,5 A
Potenza di uscita continua max	11 kW
Potenza di uscita apparente continua max	11 kVA
Potenza di uscita ≤ 30 sec	15 kW
Potenza di uscita apparente ≤ 30 sec	15 kVA
Tempo di commutazione del back-up	< 20 ms
Tensione nominale	3L/N/PE, 380/400 V
Frequenza nominale	50/60 Hz
<b>Ingresso AC (lato rete)</b>	
Tensione di uscita nominale	3L/N/PE, 380/400 V
Frequenza nominale di rete	50/60 Hz
Potenza nominale in ingresso	10 kW
Potenza d'ingresso max	15 kW
Corrente d'ingresso max	21,7 A
<b>Uscita AC (lato rete)</b>	
Potenza di uscita nominale	10 kW
Potenza di uscita apparente nominale	10 kVA
Corrente di uscita nominale a 230 V	14,5 A
Fase operativa	Trifase
Tensione di rete nominale	3L/N/PE, 380/400 V
Intervallo voltaggio AC	150-288 V
Frequenza nominale di rete	50 / 60 Hz

Fattore di potenza	> 0,99 (0,8 in testa - 0,8 in coda)
Classe di protezione	I
Categoria di sovratensione	III
Categoria di sovratensione secondo IEC 60664-1	II
<b>Efficienza</b>	
Efficienza max, $\eta_{max}$	98,0%
Efficienza ponderata europea, $\eta_{UE}$	97,2%
<b>Protezione</b>	
Protezione anti-isola	Integrata
Rilevamento della resistenza di isolamento	Integrato
Unità di monitoraggio della corrente differenziale	Integrata
Protezione dalla sovracorrente in uscita	Integrata
Protezione dai cortocircuiti in uscita	Integrata
Protezione dalla sovratensione in uscita	Integrata
Protezione dall'inversione di polarità FV	Integrata
Protezione dalla sovratensione fotovoltaica	Integrata
Interruttore FV	Integrato
Interruttore batteria	Integrato
<b>Dati generali</b>	
Dimensioni (Larg. x Alt. x Prof.)	610 x 416 x 212,5 mm
Peso	29 kg
Topologia	Senza trasformatore
Intervallo temperatura di funzionamento	Da -25 °C a +60 °C
Valore ammissibile max per l'umidità relativa (condensazione)	100%
Protezione ingresso	IP65
Display	LED
Emissione di rumore	< 30 dB(A) @1 m

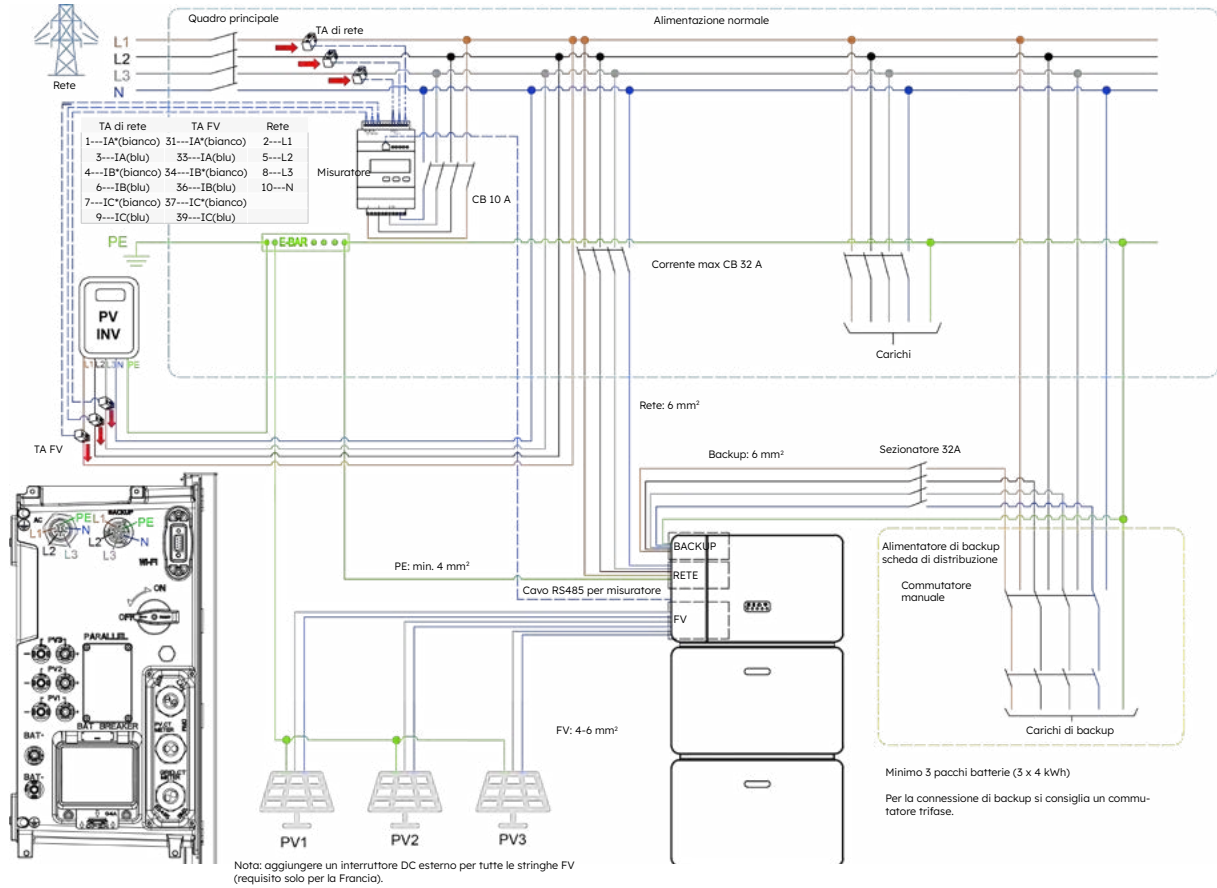
Tipologia di raffreddamento	Convezione naturale
Altitudine operativa max sopra il livello medio del mare	3.000 m
<b>Caratteristiche</b>	
Collegamento FV	Connettori MC4
Collegamento alla rete	Connettore plug-in
Collegamento di backup	Connettore plug-in
Collegamento BAT	Connettori Amphenol H4
Comunicazione	LAN, Wi-Fi, RS485

## 11.2 Scheda tecnica della batteria

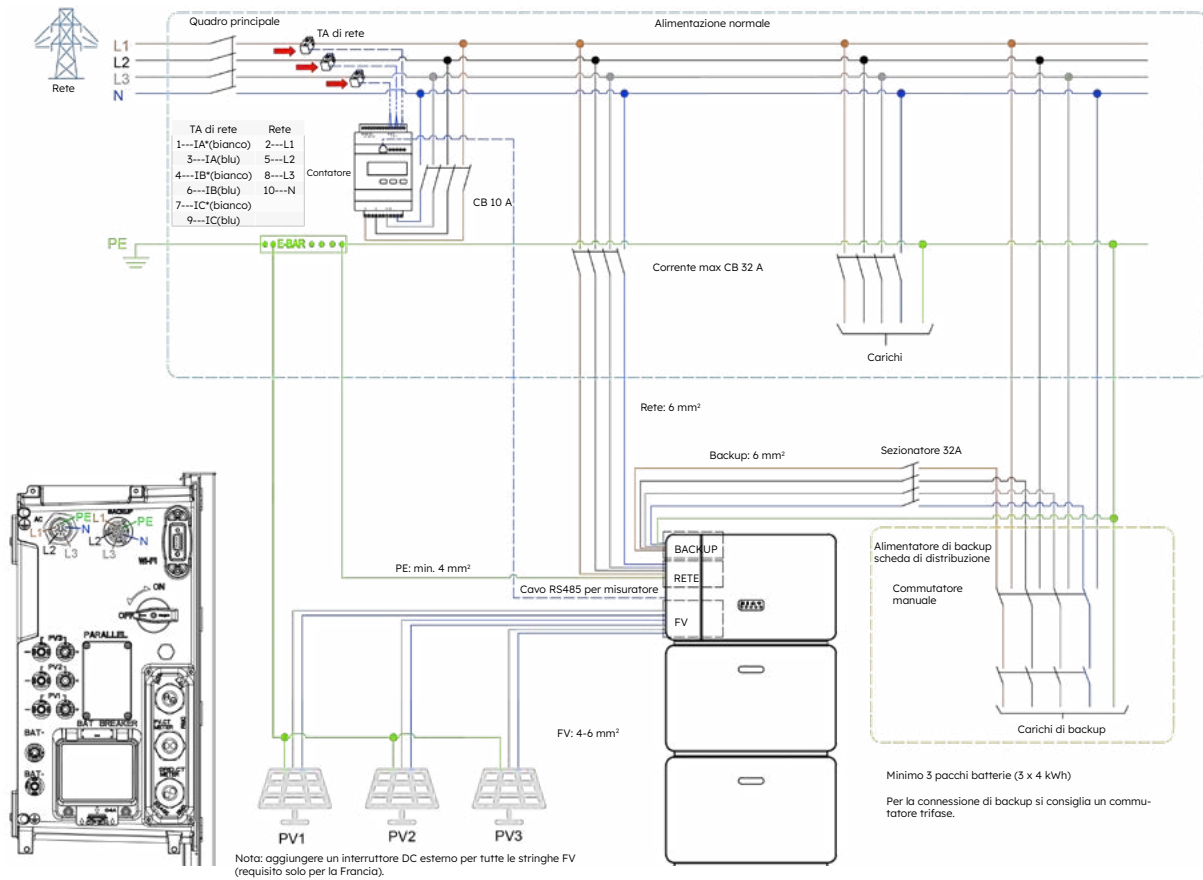
Articolo	RESERVE-BAT-1-DC-4-INT
<b>Dati generali</b>	
Tipo di batteria	LFP (LiFePO4)
Peso	44 kg
Dimensioni (Larg. x Alt. x Prof.)	610 x 451 x 212,5 mm
Protezione ingresso	IP65
Energia installata	4,0 kWh
Energia utilizzabile	3,8 kWh
DoD	95%
Tensione nominale	96 V
Intervallo di tensione operativa	90-108 V
Corrente di carica max*	42 A
Corrente di scarica max*	42 A
Intervallo di temperatura operativa	Carica: $0\text{ }^{\circ}\text{C} < T \leq 50\text{ }^{\circ}\text{C}$ Scarica: $-10\text{ }^{\circ}\text{C} < T \leq 50\text{ }^{\circ}\text{C}$
Parametri di monitoraggio	Tensione del sistema, corrente, tensione della cella, temperatura della cella
Comunicazione BMS	CAN
<b>Sistema</b>	
Sicurezza	IEC62619/IEC63056/IEC62040
Trasporto	UN38.3

## 12.0 Appendice 1: Schema elettrico sistema

### 12.1 Sistema Reserve trifase, inclusi commutatore, ibrido accoppiato con inverter FV trifase e contatore di energia (UE)



## 12.2 Sistema Reserve trifase con accoppiamento in DC e misuratore di energia (UE)





## 13.0 Appendice 2: Riferimento norme nazionali

Verificare con il proprio operatore di rete locale e scegliere il riferimento norme nazionali corrispondente; le modalità di qualità dell'energia Volt-VAR e Volt-Watt saranno attive automaticamente. (Solo per le regioni con normative di sicurezza AS/NZW 4777.2).

Paese (DNSP)	Standard di sicurezza	Impostazione della regione
Ausgrid, Ausnet, Citipower, Endeavour Energy, Energex, Ergon, Essential Energy, Evoenergy, Jemena, SA Power Networks, PowerCor, United Energy	AS/NZS 4777.2: 2020	Australia A
Western Power	AS/NZS 4777.2: 2020	Australia B
Horizon Power e TasNetworks	AS/NZS 4777.2: 2020	Australia C
Nuova Zelanda	AS/NZS 4777.2: 2020	Nuova Zelanda
Germania	VDE4105/11.18	Germania
Italia	CEI 0-21	Italia
Spagna	RD1699/UNE	Spagna
Belgio	C10/C11	Belgio
Paesi Bassi	EN50549	Paesi Bassi
Francia	EN50549	Francia
Austria	TOR25	Austria

# SunPower Reserve- energieopslagsysteem voor thuisgebruik



## Veiligheids- en installatie-instructies voor driefasige SunPower Reserve

552687 herziening B  
Gepubliceerd juni 2024

Dit document heeft betrekking op de installatie van het driefasige SunPower Reserve-energiesysteem voor thuisgebruik, inclusief:

- Omvormer: RESERVE-INV-1-P10-L3-INT
- Batterij: RESERVE-BAT-1-DC-4-INT
- Energiemeter: CHINT-DTSU666-AC-L3-INT

Dit document beschrijft de montage, installatie, inbedrijfstelling, configuratie, bediening en buitengebruikstelling van en de probleemoplossing voor de producten, evenals de bediening van de gebruikersinterface van de producten. De bijgevoegde documentatie is een integraal onderdeel van dit product. Bewaar de documentatie op een handige plaats voor toekomstig gebruik en volg alle bijgeleverde instructies op.

Illustraties in dit document zijn beperkt tot de essentiële informatie en kunnen afwijken van het echte product.



Kijk voor de nieuwste versie op  
[www.sunpower.maxeon.com/int/InstallGuideReserve3P](http://www.sunpower.maxeon.com/int/InstallGuideReserve3P)  
De inhoud kan zonder voorafgaande kennisgeving worden gewijzigd.  
Maxeon Solar Technologies

[sunpower.maxeon.com](http://sunpower.maxeon.com)

<b>1.0</b>	<b>Inleiding</b>	<b>246</b>
1.1	Afwijzing van aansprakelijkheid	246
1.2	Open source-licentie	246
1.3	Niveaus van berichten	246
1.4	Definitie van afkortingen en termen	247
<b>2.0</b>	<b>Veiligheid</b>	<b>248</b>
2.1	Beoogd gebruik	248
2.2	Veiligheidsinstructies voor batterij	248
2.2.1	Algemene veiligheidsmaatregelen	248
2.2.2	Reageren op noodsituaties	249
2.3	Belangrijke veiligheidsinstructies	250
2.4	Uitleg symbolen	252
<b>3.0</b>	<b>Productintroductie en toepassingsscenario's</b>	<b>254</b>
3.1	Systeemuitelijk – inleiding	254
3.2	Beschrijving omvormer	255
3.2.1	Elektrische interface van de omvormer – inleiding	255
3.2.2	Display-interface van omvormer	256
3.3	Beschrijving batterij	258
3.3.1	Elektrische interface van batterij – inleiding	258
3.3.2	Display van batterij – inleiding	259
3.4	Toepassingsscenario's	260
3.4.1	DC-gekoppeld opslagsysteem	260
3.4.2	AC-gekoppeld opslagsysteem	261
3.4.3	Hybride gekoppeld opslagsysteem	261
<b>4.0</b>	<b>Opslag en transport</b>	<b>262</b>
4.1	Opslag	262
4.2	Transport	263
<b>5.0</b>	<b>Montage</b>	<b>263</b>
5.1	De buitenverpakking controleren	263
5.2	Omvang van de levering	263
5.3	In de doos	263
5.4	Gereedschap en hulpmiddelen voorbereiden	265
5.5	Vereisten voor montage	266
5.6	Het energieopslagsysteem monteren	269
5.6.1	Montage van de batterij met muurbeugel	269
5.6.2	Demontage-instructies voor aan de wand gemonteerde batterijen	272
5.6.3	De batterij monteren met behulp van de vloerbevestiging	273
5.6.4	De omvormer op de batterij monteren	277
5.6.5	De omvormer op een muurbeugel monteren	278
5.6.6	Batterijmontage voor 'battery ready'-toepassing	279
5.6.7	De wifi-module monteren	281

<b>6.0</b>	<b>Elektrische aansluiting</b>	<b>282</b>
6.1	Vereisten voor kabels (niet inbegrepen)	282
6.2	Aardingsaansluiting	282
6.3	AC-aansluiting	283
6.3.1	Vereisten voor de AC-aansluiting	283
6.3.2	Een geschikte AC-lastscheider kiezen	284
6.3.3	Net- en back-up-aansluiting	285
6.3.4	Aansluiting energiemeter	286
6.3.4.1	Energiameter	286
6.3.4.2	Meterbedrading	287
6.3.4.3	Meterconfiguratie	288
6.4	PV-aansluiting	289
6.5	Elektrische verbinding tussen batterijen	291
6.6	Elektrische aansluiting tussen omvormer en RESERVE-BAT-1-DC-4-INT	293
6.6.1	Aardingsverbinding tussen OMV en eerste BAT	294
6.6.2	Elektrische verbinding tussen OMV en BAT	294
6.6.3	Communicatieverbinding tussen OMV en BAT	295
6.7	Andere communicatieaansluitingen met omvormer	295
6.8	De panelen van de omvormer en batterij monteren	297
6.8.1	De zijplaten van de batterij monteren	298
6.8.2	De siliconenplug en kunststof gesp bovenop de batterij monteren	298
6.8.3	De panelen van de omvormer monteren	298
<b>7.0</b>	<b>Opstart- en uitschakelprocedure</b>	<b>299</b>
7.1	Opstartprocedure	299
7.2	Uitschakelprocedure	299
7.3	Controles voor het opstarten	300
<b>8.0</b>	<b>Een nieuw systeem configureren (inbedrijfstelling)</b>	<b>301</b>
8.1	Reserve op internet aansluiten	301
8.2	De SunPower One-app downloaden en installeren	302
8.3	Het systeem inschakelen en de systeemstatus controleren	302
8.4	Inbedrijfstelling SunPower Reserve	302
8.5	AC-back-up controleren (indien beschikbaar)	303
8.6	Eindgebruiker instrueren om SunPower One-app te installeren	303
<b>9.0</b>	<b>Onderhoud en probleemoplossing</b>	<b>304</b>
9.1	Regulier onderhoud	304
9.2	Probleemoplossing	305
9.2.1	Foutopsporing omvormer	305
9.2.2	Foutbeschrijving omvormer	308
9.2.3	Beschrijving batterijbeveiliging	310
9.2.4	Foutbeschrijving batterij	311
<b>10.0</b>	<b>Verwijdering en retourzending</b>	<b>313</b>
10.1	Het product verwijderen	313

10.2	Het product verpakken . . . . .	313
10.3	Het product weggooien . . . . .	313

## **11.0 Technische gegevens . . . . . 314**

11.1	Datasheet van de omvormer . . . . .	314
11.2	Datasheet van batterij . . . . .	318

## **12.0 Bijlage 1: Systeembedradingschema . . . . . 319**

12.1	Driefasige Reserve inclusief wisselschakelaar, hybride gekoppeld met driefasige PV-omvormer en energiemeter (EU). . . . .	319
12.2	Driefasige Reserve, DC-gekoppeld en energiemeter (EU) . . . . .	320

## **13.0 Bijlage 2: Regionale toepassingsnorm . . . . . 321**

## 1.0 Inleiding

### 1.1 Afwijzing van aansprakelijkheid

Dit document is bedoeld voor gekwalificeerde personen en eindgebruikers.

Handelingen die zijn gemarkeerd met een symbool GEVAAR of LET OP mogen alleen worden uitgevoerd door gekwalificeerde personen. Eindgebruikers zonder specifieke kwalificaties mogen alle niet-gemarkeerde taken uitvoeren.

Gekwalificeerde personen moeten het volgende hebben:




- Kennis van de werking van een omvormer
- Kennis van de werking van batterijen
- Training over hoe om te gaan met de gevaren en risico's die gepaard gaan met het installeren, repareren en gebruiken van elektrische apparaten, batterijen en installaties
- Training in het installeren en in bedrijf stellen van elektrische apparaten en installaties
- Kennis van de toepasselijke wetten, normen en richtlijnen in de installatieregio
- Kennis van en naleving van dit document, inclusief alle veiligheidsmaatregelen
- Kennis van en naleving van de documenten van de batterijfabrikant, inclusief alle veiligheidsmaatregelen

### 1.2 Open source-licentie

Dit product bevat open source-software, ontwikkeld door derden gelicenseerd via middelen waaronder GPL en/of LGPL. Meer details, een lijst van gebruikte open source-software en de bijbehorende licentieteksten vind je in het gedeelte Licenties in de SunPower-app en op de Maxeon-website (<https://corp.maxeon.com/legal>).

### 1.3 Niveaus van berichten

De volgende soorten berichten kunnen worden getoond tijdens gebruik van het product.

 <b>GEVAAR</b>	GEVAAR geeft een gevaarlijke situatie aan die, als deze niet wordt vermeden, zal leiden tot ernstig letsel of overlijden.
 <b>LET OP</b>	'LET OP' geeft een situatie aan die, als deze niet wordt vermeden, kan leiden tot materiële schade en/of licht tot matig letsel.
 <b>TIP</b>	'TIP' geeft informatie voor een optimale installatie en werking van het product.

## 1.4 Definitie van afkortingen en termen

Afkorting	Beschrijving
AC	Wisselstroom
AUX	Auxiliary
BAT	Batterij
BMS	Batterij management systeem
CT	Stroomtransformatoren
DC	Gelijkstroom
DNSP	Gedistribueerde netwerkserviceprovider
DRM	Modus vraagrespons
RRCR	Radio ripple control receiver
EMS	Energiemanagementsysteem
INV	Omvormer
LED	Lichtgevende diode
PV	Fotovoltaïsch
SOC	Laadstatus (SOC)

## 2.0 Veiligheid

### 2.1 Beoogd gebruik

Product(en)	Beoogd gebruik en installatievereisten
<b>SunPower Reserve-systeem inclusief:</b> <ul style="list-style-type: none"><li>• <b>RESERVE-INV-1-P10-L3- INT</b></li><li>• <b>RESERVE-BAT-1-DC-4- INT</b></li><li>• <b>CHINT-DTSU666-AC-L3-INT</b></li></ul>	<p>Het SunPower Reserve-systeem is bedoeld voor installatie in woonhuizen om het eigen energieverbruik te optimaliseren.</p> <p>Het systeem is geschikt voor installatie binnen en buiten.</p> <p>Alle onderdelen moeten werken in een scenario dat geschikt is voor hun werking. Producten moeten niet worden gebruikt op een andere manier dan in dit onderdeel wordt beschreven. Zorg ervoor dat je dit product gebruikt in overeenstemming met de informatie in de begeleidende documenten en in overeenstemming met de lokaal geldende normen en richtlijnen.</p> <p>Elke andere handeling kan persoonlijk letsel of schade aan eigendommen veroorzaken. Wijzigingen aan het product, zoals veranderingen of modificaties, zijn alleen toegestaan met uitdrukkelijke schriftelijke toestemming van Maxeon Solar Technologies.</p> <p>Ongeoorloofde wijzigingen maken garantieclaims ongeldig. Maxeon Solar Technologies kan niet aansprakelijk worden gesteld voor schade die door dergelijke wijzigingen wordt veroorzaakt.</p> <p>Het typeplaatje moet permanent aan het product bevestigd blijven.</p> <p>Dit document is een integraal onderdeel van dit product. Zorg dat het toegankelijk is voor toekomstige raadpleging en volg alle instructies die erin staan.</p>
<b>OMVORMER:</b> <b>RESERVE-INV-1-P10-L3-INT</b>	De omvormer wordt gebruikt voor bidirectionele overdracht tussen wisselstroom en gelijkstroom.
<b>BATTERIJ:</b> <b>RESERVE-BAT-1-DC-4-INT</b>	De omvormer mag alleen worden gebruikt met PV-opstellingen van beschermingsklasse II volgens IEC 61730, toepassingsklasse A. De koppelcapaciteit van de PV-modules mag niet groter zijn dan 1,0 $\mu$ F.

## 2.2 Veiligheidsinstructies voor batterij

### 2.2.1 Algemene veiligheidsmaatregelen

Voordat je een onderdeel van het SunPower Reserve-energieopslagsysteem installeert, moet je de veiligheids- en installatie-instructies volledig lezen. Als er tegelijkertijd met de SunPower Reserve-eenheid extra hardware wordt geïnstalleerd (bijvoorbeeld een back-upapparaat of een afzonderlijk AC-gekoppeld PV-systeem), lees dan de installatiehandleiding voor elk onderdeel/systeem voordat je aan de installatie van de hardware begint. Door de installatie van hardware kunnen gevaren ontstaan voor de installatie van andere hardware. Zorg ervoor dat je alle handleidingen leest en de interactie tussen en de veiligheidsimplicaties van de gecombineerde systemen begrijpt.

1. Overspanning of onjuiste bedrading kan de batterij-eenheid beschadigen en deflagratie veroorzaken, wat zeer gevaarlijk kan zijn.




2. Alle soorten batterijdefecten kunnen lekkage van elektrolyt of brandbaar gas tot gevolg hebben.
3. De gebruiker kan geen onderhoud plegen aan de batterij-eenheid. Er staat een hoge spanning op het apparaat.
4. Lees het etiket met waarschuwingssymbolen en voorzorgsmaatregelen dat zich aan de rechterkant van de batterij bevindt.
5. Sluit geen AC- of PV-geleiders rechtstreeks op de batterij aan, deze mogen alleen worden aangesloten op de omvormer.
6. Laad en ontlad beschadigde batterijen niet.
7. Beschadig de batterij niet door deze te laten vallen, te vervormen, ertegen te stoten, erin te snijden of deze te doorboren met een scherp voorwerp. Schade aan de batterij kan lekkage van elektrolyt of brand veroorzaken.
8. Stel de batterij niet bloot aan open vuur.

## 2.2.2 Reageren op noodsituaties



De batterij-eenheid is ontworpen om gevaar door storingen te voorkomen.

Als er een ongeluk op het land gebeurt, verwijder dan voorwerpen uit de buurt van de beschadigde batterij-eenheid en scheid deze indien mogelijk veilig af en bel de plaatselijke brandweer of servicemonteur.

Als er een ongeluk in het water gebeurt, blijf dan uit het water en raak niets aan als er een deel van de batterij, omvormer of bedrading onder water ligt. Gebruik de batterij niet meer en neem contact op met de technische ondersteuning.

Product(en)	Beoogd gebruik en installatievereisten
<b>Als de behuizing van de batterij beschadigd is en de gebruiker het binnenmateriaal van de batterijcellen aanraakt</b>	<ol style="list-style-type: none"> <li>1. <b>In geval van inademing:</b> verlaat het besmette gebied onmiddellijk en zoek medische hulp.</li> <li>2. <b>Bij letsel aan de ogen:</b> spoel de ogen 15 minuten met stromend water en zoek medische hulp.</li> <li>3. <b>Bij huidletsel:</b> was het contactgebied grondig met zeep en zoek medische hulp.</li> <li>4. <b>Bij inslikken:</b> wek braken op en zoek medische hulp.</li> </ol>
<b>Als er brand uitbreekt op de plaats waar de batterij-eenheid is geplaatst</b>	<p><b>Dan heb je nodig:</b></p> <ul style="list-style-type: none"> <li>• FM-200, CO<sub>2</sub> of een andere geschikte brandblusser op de brandende batterij.</li> <li>• ABC-brandblusser kan worden gebruikt op andere voorwerpen, waar het niet in contact komt met de batterij-eenheid.</li> </ul> <p><b>Wat te doen:</b></p> <ol style="list-style-type: none"> <li>1. Als er brand ontstaat tijdens het opladen van batterijen, schakel dan, als het veilig is om dit te doen, de lastscheider van de batterij-eenheid uit om de voeding voor het opladen uit te schakelen.</li> <li>2. Als de batterij-eenheid nog niet in brand staat, blus de brand dan voordat de batterij-eenheid vlam vat.</li> <li>3. Als de batterij-eenheid in brand staat, probeer dan niet te blussen maar evacueer mensen onmiddellijk.</li> </ol>
 <p><b>Als de batterij-eenheid brandt</b></p>	<p>Er kan zich een explosie voordoen als batterijen boven de 150 °C worden verwarmd. Als de batterij-eenheid brandt, lekken er giftige gassen uit. Niet benaderen.</p>

## 2.3 Belangrijke veiligheidsinstructies

Scenario's met hoog risico	Aanbevolen acties
 <p><b>Levensgevaar door elektrische schok bij aanraking van spanningvoerende onderdelen of kabels</b></p>	<p>Er staat hoge spanning op de geleidende onderdelen of kabels van de omvormer. Het aanraken van spanningvoerende onderdelen en kabels kan leiden tot de dood of dodelijk letsel als gevolg van elektrische schokken.</p> <ul style="list-style-type: none"><li>• Raak geen niet-geïsoleerde onderdelen of kabels aan.</li><li>• Koppel het product voordat je aan de omvormer of de batterij-eenheid werkt los van alle spanningsbronnen en zorg dat niet opnieuw verbinding kan worden gemaakt.</li><li>• Wacht na het loskoppelen 5 minuten totdat de condensatoren in de omvormer ontladen zijn.</li><li>• Open het product niet.</li><li>• Draag geschikte persoonlijke beschermingsmiddelen bij alle werkzaamheden aan het product.</li></ul>
 <p><b>Levensgevaar door gevaarlijke spanningen in de batterij-eenheid</b></p>	<p>Er staat gevaarlijke spanning op de pinconnector voor de voedingskabel. Grijpen in de pinconnector voor de voedingskabel kan leiden tot een dodelijke elektrische schok.</p> <ul style="list-style-type: none"><li>• Open de batterij-eenheid niet.</li><li>• Veeg niet met een vochtige doek over de batterij-eenheid.</li><li>• Laat de beschermkapjes op de pinconnectoren voor de stroomaansluiting van de batterijen zitten totdat de kabels van de omvormer zijn aangesloten op de batterij-eenheid. Koppel het systeem voordat je aan de omvormer of de batterij-eenheid werkt los van alle spanningsbronnen en zorg dat niet opnieuw verbinding kan worden gemaakt.</li></ul>
 <p><b>Levensgevaar door elektrische schokken als gevolg van het aanraken van een niet-geaarde PV-module of opstellingsframe</b></p>	<ul style="list-style-type: none"><li>• Het aanraken van niet-geaarde PV-modules of opstellingsframes kan leiden tot de dood of dodelijk letsel als gevolg van elektrische schokken.</li><li>• Verbind en aard het frame van de PV-modules, het opstellingsframe en de elektrisch geleidende oppervlakken zodat er een continue geleiding is.</li><li>• Neem de geldende plaatselijke voorschriften in acht.</li></ul>
 <p><b>Levensgevaar door elektrische schok bij aanraking van spanningvoerende onderdelen of PV-kabels</b></p>	<p>Wanneer PV-panelen worden blootgesteld aan zonlicht, genereert het PV-systeem een hoge gelijkspanning die in de DC-geleiders aanwezig is.</p> <p>Het aanraken van de DC-kabels onder spanning kan leiden tot de dood of dodelijk letsel als gevolg van elektrische schokken.</p> <ul style="list-style-type: none"><li>• Koppel de omvormer voordat je aan het apparaat werkt los van alle spanningsbronnen en zorg dat niet opnieuw verbinding kan worden gemaakt.</li><li>• Raak geen niet-geïsoleerde onderdelen of kabels aan.</li><li>• Koppel de DC-connectoren niet los onder belasting.</li><li>• Draag geschikte persoonlijke beschermingsmiddelen voor alle werkzaamheden aan de omvormer.</li></ul>

Scenario's met hoog risico	Aanbevolen acties
 <p><b>Levensgevaar door elektrische schok bij het aanraken van spanningvoerende systeemonderdelen in geval van een aardlek</b></p>	<p>Wanneer er een aardlek optreedt, kunnen delen van het systeem nog onder spanning staan. Het aanraken van spanningvoerende onderdelen en kabels kan leiden tot de dood of dodelijk letsel als gevolg van elektrische schokken.</p> <ul style="list-style-type: none"> <li>• Koppel het product voordat je aan het apparaat werkt los van alle spanningsbronnen en zorg dat niet opnieuw verbinding kan worden gemaakt.</li> <li>• Raak de kabels van de PV-opstelling alleen aan op de isolatie.</li> <li>• Raak geen onderdelen van de onderbouw of het frame van de PV-opstelling aan.</li> <li>• Sluit geen PV-strings met aardlek aan op de omvormer.</li> </ul>
 <p><b>Risico op chemische brandwonden door elektrolyt of giftige gassen</b></p>	<p>Tijdens normaal gebruik lekt er geen elektrolyt uit de batterij-eenheid en ontstaan er geen giftige gassen. Ondanks zorgvuldige constructie is het mogelijk dat er elektrolyt lekt of dat er giftige gassen ontstaan als de batterij-eenheid beschadigd raakt of als er zich een fout voordoet.</p> <ul style="list-style-type: none"> <li>• Bewaar de batterij-eenheid op een koele en droge plaats.</li> <li>• Laat de batterij-eenheid niet vallen en beschadig deze niet met scherpe voorwerpen.</li> <li>• Zet de batterij-eenheid alleen op de achterkant of onderkant neer.</li> <li>• Open de batterij-eenheid niet.</li> <li>• Installeer of gebruik de batterij-eenheid niet in een explosiegevaarlijke omgeving of op plaatsen met een hoge luchtvochtigheid.</li> <li>• Als er vocht in de batterij-eenheid is binnengedrongen (bijvoorbeeld door een beschadigde behuizing), mag je de batterij-eenheid niet installeren of gebruiken.</li> <li>• In geval van contact met elektrolyt, de getroffen gebieden onmiddellijk spoelen met water en onmiddellijk een arts raadplegen.</li> </ul>
Waarschuwendende scenario's	Beoogd gebruik en installatievereisten
 <p><b>Risico op brandwonden door heet koellichaam en behuizing</b></p>	<p>De behuizing en het deksel van de omvormer kunnen tijdens bedrijf heet worden. Raak tijdens bedrijf alleen de kap van de omvormer aan.</p>
 <p><b>Schade aan de omvormer door elektrostatische ontlading</b></p>	<ul style="list-style-type: none"> <li>• Het aanraken van elektronische onderdelen kan de omvormer en de batterij beschadigen of vernietigen door elektrostatische ontlading.</li> <li>• Aard jezelf voordat je een onderdeel aanraakt.</li> </ul>
 <p><b>Schade door schoonmaakmiddelen</b></p>	<ul style="list-style-type: none"> <li>• Het gebruik van reinigingsmiddelen kan schade veroorzaken aan het energieopslagsysteem en de onderdelen ervan.</li> <li>• Reinig het systeem en alle onderdelen alleen met een doek die is bevochtigd met schoon water.</li> </ul>

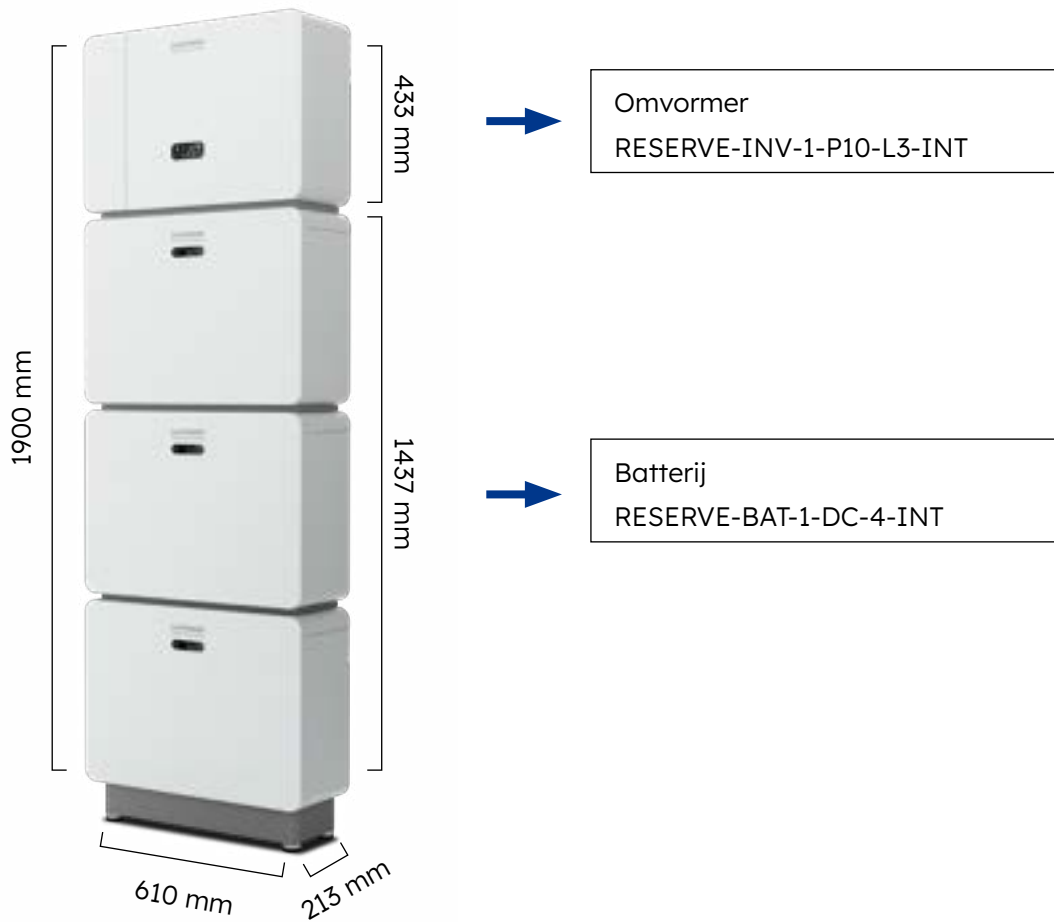
## 2.4 Uitleg symbolen

Symbolen omvormer	Uitleg
	<p>Pas op voor een gevarezone</p> <p>Dit symbool geeft aan dat de omvormer extra geaard moet worden als er extra aarding of potentiaalvereffening nodig is op de installatielocatie.</p>
	<p>Pas op voor elektrische spanning</p> <p>Het product werkt bij hoge spanningen.</p>
	<p>Pas op voor heet oppervlak</p> <p>Het product kan tijdens bedrijf heet worden.</p>
 	<p>Levensgevaar door hoge spanningen in de omvormer, neem een wachttijd van 5 minuten in acht. Voordat je werkzaamheden aan de omvormer uitvoert, moet je deze loskoppelen van alle spanningsbronnen zoals beschreven in dit document.</p>
	<p>WEEE-aanduiding</p> <p>Gooi het product niet weg met het huishoudelijk afval, maar in overeenstemming met de afvalverwerkingsvoorschriften voor elektronisch afval die gelden op de installatielocatie.</p>
	<p>Let op de documentatie</p>
	<p>CE-markering</p> <p>Het product voldoet aan de eisen van de toepasselijke EU-richtlijnen.</p>
	<p>Gecertificeerde veiligheid</p> <p>Het product is TUV-getest en voldoet aan de eisen van de EU-wet op de veiligheid van apparatuur en producten.</p>
	<p>RCM (Regulatory Compliance Mark)</p> <p>Het product voldoet aan de eisen van de toepasselijke Australische normen.</p>
	<p>UKCA-markering</p> <p>Het product voldoet aan de voorschriften van de toepasselijke wetten van Engeland, Wales en Schotland.</p>
	<p>RoHS-Label</p> <p>Het product voldoet aan de eisen van de toepasselijke EU-richtlijnen.</p>

Batterijsymbolen	Uitleg
	Pas op voor een gevarezone Dit symbool geeft aan dat de batterij-eenheid extra geaard moet worden als extra aarding of potentiaalvereffening nodig is op de installatielocatie.
	Risico op chemische brandwonden
	Explosiegevaar
	Neem de documentatie in acht
	Risico op lekkage van elektrolyten
	CE-markering Het product voldoet aan de eisen van de toepasselijke EU-richtlijnen.
	Raadpleeg de bedieningsinstructies
	Gebruik oogbescherming
	Vuur, open licht en roken verboden
	Installeer het product buiten het bereik van kinderen
	Gooi de batterij-eenheid niet weg met het huishoudelijk afval, maar in overeenstemming met de plaatselijk geldende voorschriften voor de verwerking van batterijen
	Code voor recycling
<b>UN38.3</b>	Markering voor het vervoer van gevaarlijke goederen Het product voldoet aan de certificeringen van UN38.3

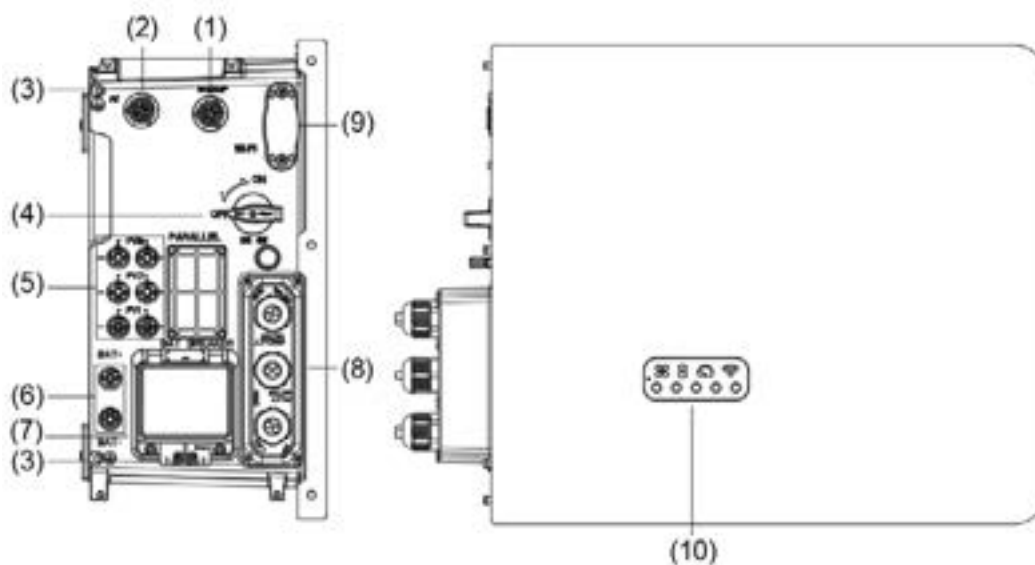
### 3.0 Productintroductie en toepassingsscenario's

#### 3.1 Systemuiterlijk - inleiding



## 3.2 Beschrijving omvormer

### 3.2.1 Elektrische interface van de omvormer – inleiding



Positie	Beschrijving
1	Back-up-connector
2	Netconnector (3P-AC-voeding)
3	Aardingspunt
4	PV-schakelaar*
5	PV-connectoren plus en min, PV1, PV2, PV3
6	Plus-connector batterij aansluiting Min-connector batterij aansluiting
7	Batterij-lastscheider*
8	Communicatiepoorten (BMS, RS485, Meter, DRM** en RRCR, LAN, AUX)
9	Gedistribueerde netwerkserviceprovider
10	Led-display van omvormer

\* De batterij-lastscheider en PV-schakelaar van de omvormer zijn bij verzending uitgeschakeld.

m \*\* De DRM is alleen voor regio's met veiligheidsvoorschriften AS/NZS 4777.2.

### 3.2.2 Display-interface van omvormer

Op het display-paneel van de omvormer bevinden zich negen ledlampjes.











#### Bovenste ledlampjes

De vier systeemledlampjes geven informatie over de status en werking van het systeem.

#### Onderste ledlampjes

Vijf ledlampjes geven de ladingstatus van de batterij(en) bij normaal gebruik aan.

Als er zich echter een fout voordoet in het systeem, wordt de combinatie van de bovenste en onderste ledlampjes gebruikt om foutcodes weer te geven, zoals:







Normale status	Beschrijving	Abnormale status	Beschrijving
 <b>SYSTEEM</b>	<b>Wit licht</b> Het systeem werkt normaal	 <b>SYSTEEM</b>	<b>Rood licht</b> Er doet zich een fout voor in het systeem.
 <b>METER</b>	<b>Wit licht</b> Metercommunicatie werkt normaal	 <b>METER</b>	<b>Geen licht</b> Meter uitgevallen
 <b>BATTERIJ</b>	<b>Wit licht</b> Batterij werkt normaal	 <b>BATTERIJ</b>	<b>Geen licht</b> Batterij werkt niet normaal
 <b>COMMUNICATIE</b>	<b>Wit licht</b> Server verbonden	 <b>COMMUNICATIE</b>	<b>Geen licht</b> Verbinding met server verbroken



De lampjes van de omvormer werken ook anders tijdens het downloaden en upgraden van de software:

Lampje	Tijdens het downloaden en upgraden van de software
Weergave omvormerlampjes	Terwijl de omvormer het bestand downloadt om de firmware bij te werken, zullen de onderste 5 ledlampjes van beide kanten naar het midden bewegen. Wanneer het downloadproces is voltooid en het upgradeproces begint, zullen de onderste 5 ledlampjes van het midden naar de twee zijanten bewegen.
Weergave batterijlampjes	Het aantal lampjes van links naar rechts is 1-3. Tijdens het upgraden knippert het witte lampje nr. 3 snel, de andere twee ledlampjes zijn uit.

De onderste ledlampjes op het voorpaneel van de omvormer geven informatie over de laadstatus (State of Charge, SOC) van het systeem. Als alle batterijen normaal werken, zijn ze wit of uit. Tijdens de verschillende soorten ladingstatus worden de lampjes weergegeven:

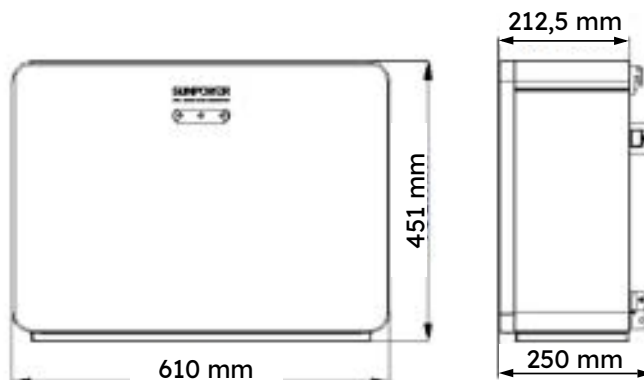
Ladingstatus (SOC)	Beschrijving
	SOC < 5%
	5% ≤ SOC < 20%
	20% ≤ SOC ≤ 40%
	40% ≤ SOC ≤ 60%
	60% ≤ SOC ≤ 80%
	80% ≤ SOC ≤ 100%

De ledlampjes geven de laadstatus bij benadering aan. Ze moeten worden opgevat als indicatie, niet als een absolute waarde.

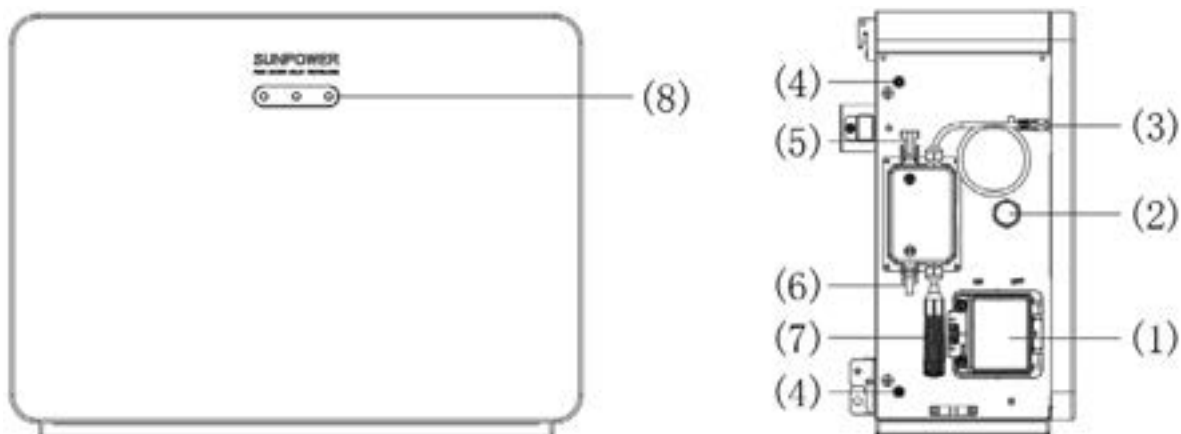
### 3.3 Beschrijving batterij

#### 3.3.1 Elektrische interface van batterij – inleiding

Uiterlijk en afmetingen van batterij in serie opstelling



Overzicht van aansluitgebied









Positie	Beschrijving
1	Batterij-lastscheider
2	Overdrukklep
3	BMS COM (1)
4	Aardingspunt
5	Kabelconnector batterij +
6	Kabelconnector batterij -
7	BMS COM (2) (met eindweerstand)
8	Led-display van batterij

### 3.3.2 Display van batterij – inleiding

#### Leds en SOC-display van batterij

Bij normaal gebruik van de batterij geven drie ledlampjes op het voorpaneel informatie over de laadstatus (SOC) van de batterij met witte leds die branden, uitstaan of knipperen (0,5 sec. aan, 1,5 sec. uit).

Symbolen	Beschrijving
	Witte led knippert
	Witte led brandt
	Witte led is uit

Ladingstatus (SOC)	Beschrijving
	$SOC \leq 10\%$
	$10\% < SOC \leq 30\%$
	$30\% < SOC \leq 50\%$
	$50\% < SOC \leq 60\%$
	$60\% < SOC \leq 90\%$
	$90\% < SOC \leq 100\%$

#### Display met leds voor batterijstatus

De leds geven de operationele status van het product aan.

Stand-by: alle witte leds knipperen (0,5 sec. aan en 0,5 sec. uit)

Normaal: witte leds branden of knipperen (0,5 sec. aan en 1,5 sec. uit)

Beveiliging: gele leds branden of knipperen (0,5 sec. aan en 0,5 sec. uit)

Fout: gele leds branden of knipperen (0,5 sec. aan en 0,5 sec. uit)

Uitgeschakeld: alle leds zijn uit.

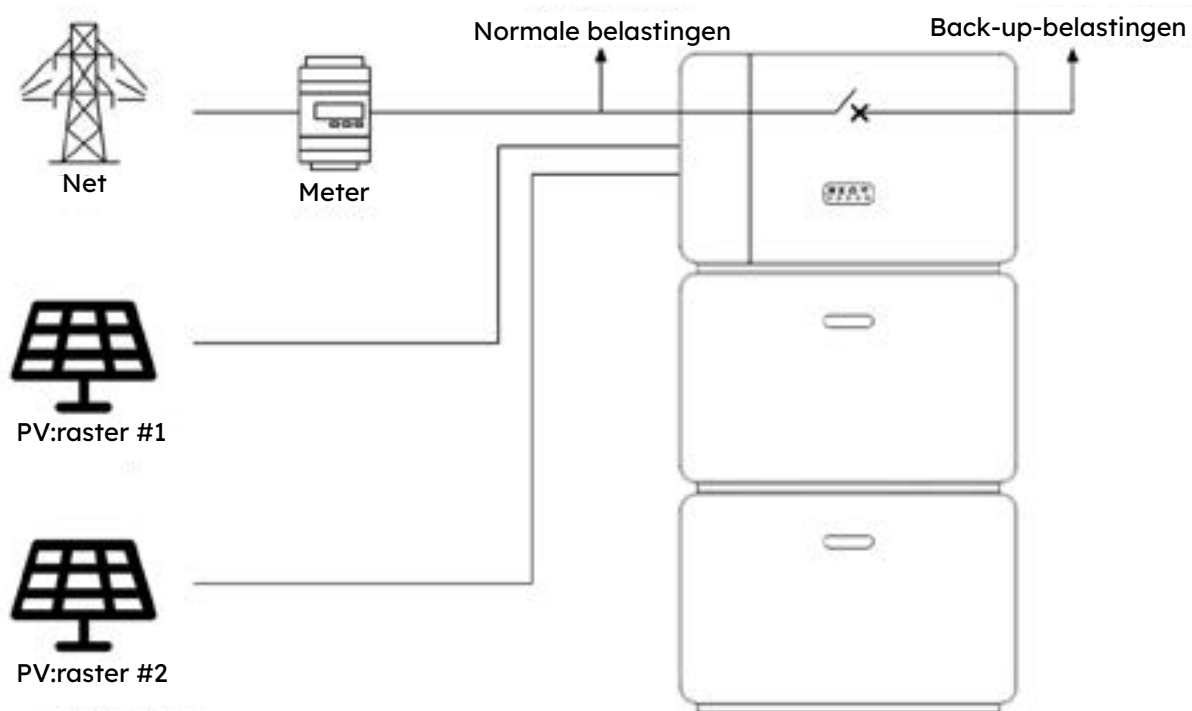
### 3.4 Toepassingsscenario's

Het SunPower Reserve-systeem is een flexibel opslagsysteem dat in alle volgende scenario's kan worden toegepast:

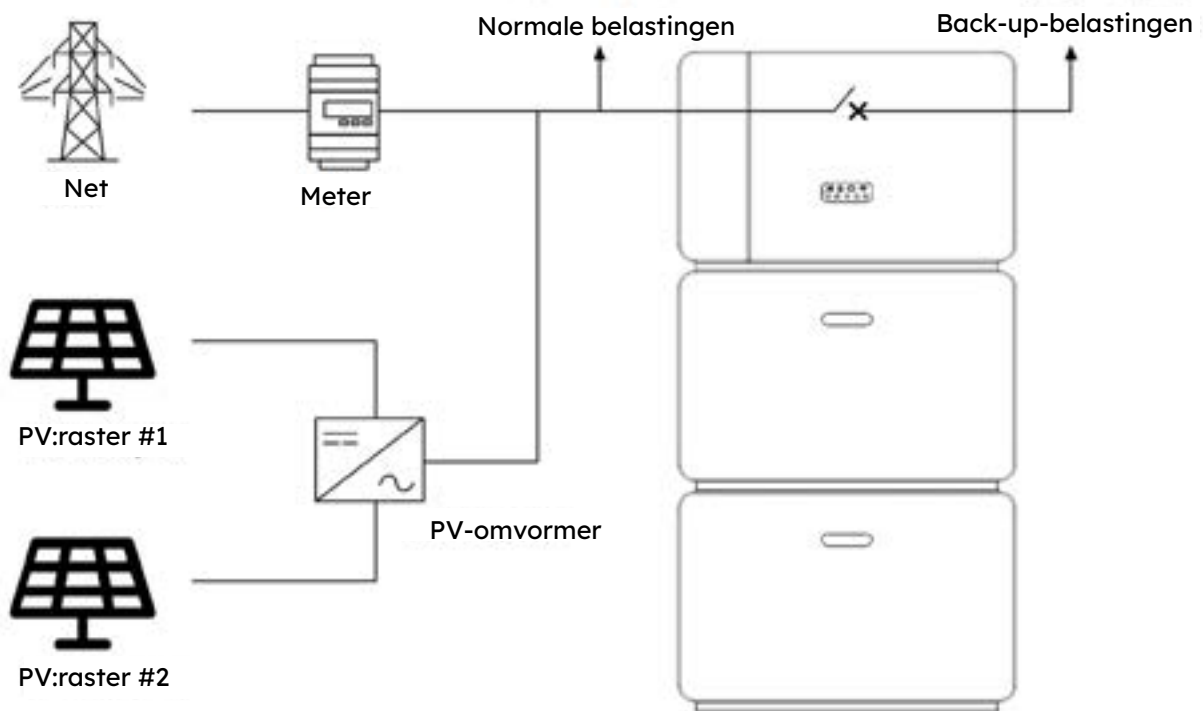
Toepassing	Beschrijving	Voordelen
<b>DC</b>	PV-rasters rechtstreeks aangesloten op de PV-ingangen van de SunPower Reserve.	Geen extra omvormer nodig
<b>AC</b>	PV-rasters aangesloten als aparte AC-gekoppelde PV-omvormer.	<ul style="list-style-type: none"> <li>• Belasting kan gelijktijdig van de batterij en PV worden afgenomen</li> <li>• Batterijsysteem kan achteraf worden geïnstalleerd</li> </ul>
<b>Hybride</b>	PV-rasters rechtstreeks aangesloten op de PV-ingangen van de SunPower Reserve en aangesloten op een AC-gekoppelde PV-omvormer.	<ul style="list-style-type: none"> <li>• Kan worden gekoppeld aan elk bestaand PV-systeem</li> <li>• Systeem vergroten en regelen zonder het oorspronkelijke PV-systeem te veranderen</li> </ul>

Een voorbeeld van elk van deze scenario's:

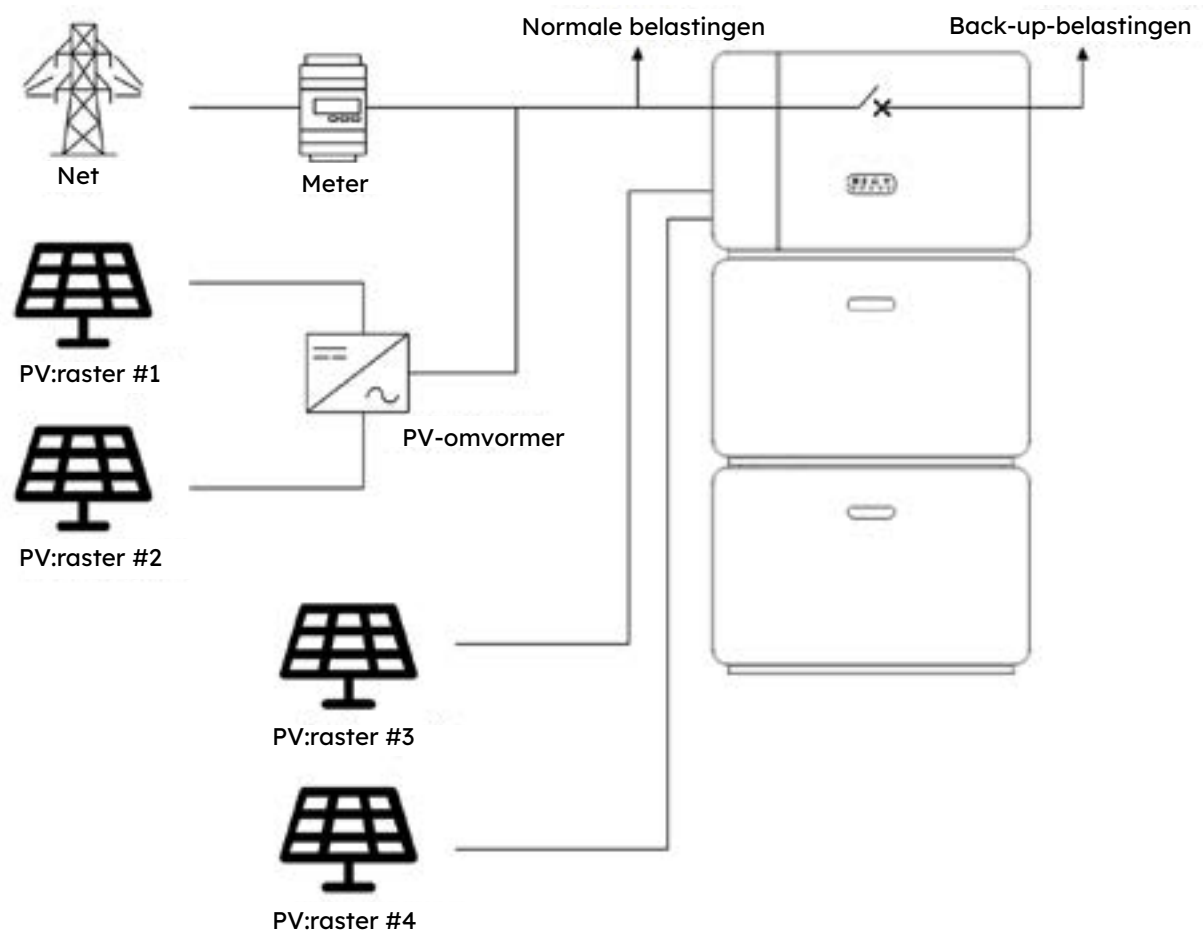
#### 3.4.1 DC-gekoppeld opslagsysteem



### 3.4.2 AC-gekoppeld opslagsysteem



### 3.4.3 Hybride gekoppeld opslagsysteem



## 4.0 Opslag en transport

### 4.1 Opslag

Als de omvormer niet direct in gebruik wordt genomen, moet aan de volgende eisen worden voldaan:

Product(en)	Richtlijnen voor opslag
<b>Omvormer:</b> <b>RESERVE-INV-1-</b> <b>P10-L3-INT</b>	<ol style="list-style-type: none"><li>1. Pak de omvormer niet uit.</li><li>2. Houd de opslagtemperatuur op <math>-40\text{ °C}/+60\text{ °C}</math> en de luchtvochtigheid op 5%/95% RV.</li><li>3. De omvormer moet worden opgeslagen op een schone en droge plaats en worden beschermd tegen stof en corrosie door waterdamp.</li><li>4. Er kunnen maximaal vijf omvormers worden opgestapeld. Stapel omvormers voorzichtig op elkaar om te voorkomen dat ze omvallen, om persoonlijk letsel of schade aan het apparaat te voorkomen.</li><li>5. Controleer de omvormer periodiek tijdens de opslagperiode. Vervang beschadigde verpakkingen onmiddellijk.</li><li>6. Omvormers die langer dan 2 jaar worden opgeslagen, moeten worden geïnspecteerd en getest voordat ze in gebruik worden genomen.</li></ol>
<b>Batterij:</b> <b>RESERVE-BAT-1-</b> <b>DC-4-INT</b>	<ol style="list-style-type: none"><li>1. Plaats de batterijen tijdens de opslag volgens de aanduidingen op de doos.</li><li>2. Stapel de dozen met batterijen in overeenstemming met de stapelvereisten die op de buitenkant van de doos staan.</li><li>3. Bewaar de batterij buiten bereik van kinderen en dieren.</li><li>4. Sla de batterij op in een ruimte met een minimum aan stof en vuil.</li><li>5. Ga zorgvuldig om met batterijen om schade te voorkomen</li><li>6. De opslagomgeving moet aan de volgende eisen voldoen:<ol style="list-style-type: none"><li>a. Omgevingstemperatuur: <math>-10\text{ °C}</math> tot <math>55\text{ °C}</math>, aanbevolen opslagtemperatuur: <math>15\text{ °C}</math> tot <math>30\text{ °C}</math></li><li>b. Relatieve vochtigheid: 15% tot 85%</li><li>c. Plaats de batterijen op een droge, schone, geventileerde en stofvrije plaats.</li><li>d. Bewaar batterijen op een geschikte locatie, en houd deze uit de onmiddellijke nabijheid van corrosieve organische oplosmiddelen en gassen.</li><li>e. Houd batterijen verwijderd van direct zonlicht.</li><li>f. Houd batterijen minstens 2 meter verwijderd van warmtebronnen.</li></ol></li><li>7. De batterijen in opslag moeten worden losgekoppeld van externe apparaten. De indicators (indien aanwezig) op de batterijen moeten uit zijn.</li><li>8. Opgeslagen batterijen moeten worden uitgeleverd op basis van de "first in, first out"-voorraadcontrole.</li><li>9. Batterijen die langer dan 6 maanden zijn opgeslagen, moeten periodiek worden geïnspecteerd en geladen.</li><li>10. Het wordt aanbevolen om batterijen zo snel mogelijk in gebruik te nemen. Opslag van meer dan 12 maanden bij een SOC van minder dan 30% kan leiden tot capaciteitsverlies.</li></ol>

## 4.2 Transport

Neem tijdens het transport de volgende richtlijnen in acht:

1. Gebruik de originele verpakking voor transport. Plaats het product als je de originele verpakking niet meer hebt in een geschikte kartonnen doos met adequate bescherming en verzegel de doos.
2. Ga zorgvuldig te werk, kies de juiste hanteringsmethode afhankelijk van het gewicht en let op de veiligheid. Mechanische hulpmiddelen hebben altijd de voorkeur boven tillen met de hand.
3. Vermijd mechanische schade tijdens het transport en houd het product droog.
4. Zet de verpakking goed vast tijdens transport om schade te voorkomen.
5. Neem de plaatselijke voorschriften voor het tillen van zware voorwerpen en veiligheidsrisico's in acht.

## 5.0 Montage

### 5.1 De buitenverpakking controleren






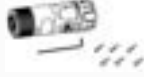
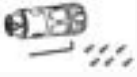











Controleer voordat je het product uitpakt de buitenverpakking op beschadigingen, zoals gaten, tekenen van mechanische schade of waterschade. Als er schade wordt aangetroffen, pak het product dan niet uit en neem zo snel mogelijk contact op met je leverancier.

### 5.2 Omvang van de levering

Controleer de leveringsomvang op volledigheid en eventuele uiterlijk zichtbare schade. Neem contact op met de leverancier als de levering onvolledig of beschadigd is.

### 5.3 In de doos


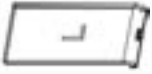










Gebruik de onderstaande lijst om de onderdelen te controleren die bij de omvormer worden geleverd.

Omvormer (RESERVE-INV-1-P10-L3-INT)				
				
Omvormer (1x)	Zijpaneel (1x)	Kabelafdekking (1x)	Omvormerbasis (1x)	Wifi-module (1x)
				
Netconnector (1x)	Back-upconnector (1x)	PV MC4-connectorpaar (2x)	AUX-aansluitblok met 6 posities (2x)	MSX12-schroeven en set aardklemmen (1x)
				
Aardingskabel tussen omvormer en 1e batterij (1x)	Netvoedingskabel batterijen in serie, min (1x)	Netvoedingskabel batterijen in serie, plus (1x)	Voedingskabel tussen twee kolommen batterijen in serie (1x)	Communicatiekabel tussen twee kolommen batterijen in serie (1x)
				
Aardingskabel tussen twee kolommen batterijen in serie (1x)	Bladen met het systeembedradingsschema (1x)	Beknopte installatiehandleiding (1x)		

Extra onderdelen voor muurbeugel voor omvormer (optioneel)

Muurbeugel voor omvormer (RESERVE-INV-1-P10-L3-INT)				
				
Muurbeugel (1x)	Haak voor muurbeugel (4x)	Zeskantbout M5*12 (18x)	Muuranker ST6*55 (4x)	Kleine waterpas (1x)

Controleer in de onderstaande lijst de onderdelen die bij elke batterij worden geleverd.

Batterij (RESERVE-BAT-1-DC-4-INT)				
				
Batterij (1x)	Linker zijplaat (X1)	Rechter zijplaat (X1)	Verbindingsstuk linksonder (1x)	Verbindingsstuk rechtsonder (1x)
				
Aardingskabel 115 mm (X1)	Batterijvoedingskabel 205 mm (1x)	Zeskantbout M5*12 (3x)	Siliconen afsluitdop (9x)	Kunststof blokkering (1x)
				
Kabelbindersluiting (3x)	Beknopte installatiehandleiding (1x)			

Extra onderdelen voor muurbeugel voor batterij (optioneel)

Muurbeugel voor batterij (RESERVE-BAT-1-DC-4-INT)				
				
Muurbeugel (1x)	Verbindingsplaat tussen muurbeugels van batterijen (2x)	Verbindingsplaat tussen muurbeugels van 3P-omvormer en eerste batterij (2x)	Muuranker ST6*55 (6x)	Grote zeskantige flesschroef M5*12 (3x)
				
Flensmoer M5 (7x)	Kleine waterpas (1x)			

Vloerbevestiging voor batterij (RESERVE-BAT-1-DC-4-INT)				
				
Basiseenheid (1x)	Wandverbindingsplaat van basiseenheid (1x)	Wandverbindingsplaat van batterij in serie (1x)	Muuranker ST6*55 (6x)	Kleine waterpas (1x)
				
Zeskantbout M5*12 (8x)				



## 5.4 Gereedschap en hulpmiddelen voorbereiden

Zorg ervoor dat de volgende apparatuur en veiligheidsuitrusting beschikbaar is voordat het energieopslagsysteem wordt geïnstalleerd.

Gereedschappen en persoonlijke beschermingsmiddelen				
				
Klopboor (met een boorbit van $\varnothing 10$ mm)	SW8-dopsleutel	Multimeter (DC-spanningsbereik $\geq 1000$ V DC)	Kniptang	Strip tang
				
T20-schroevendraaier (koppelbereik: 0-5 Nm), L = 150 mm	Rubberen hamer	Hobbymes	Kabelschaar	MC4 connector krimptang
				
Kabelkrimptang voor kabeluiteinde (model: HSC8 0,25-10 mm <sup>2</sup> )	Modulaire krimptang (UTP)	Ampèretang   stroomtang	Gereedschap voor demontage en montage van PV-connector	Stofzuiger
				
Markeerstift	Meetlint	Waterpas	Stofwerende ademhalingsbescherming	Veiligheidsschoenen
				
Veiligheidshandschoenen	Veiligheidsbril			

## 5.5 Vereisten voor montage



Ondanks zorgvuldige constructie kunnen elektrische apparaten brand veroorzaken.

- Monteer het energieopslagsysteem niet in ruimten met licht ontvlambare materialen of gassen.
- Monteer het systeem niet in omgevingen met explosiegevaar.

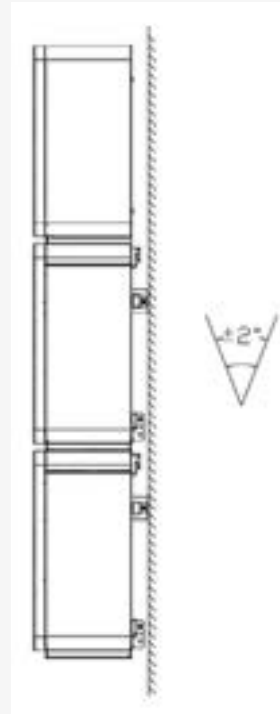
Type	Voorschriften
<b>Basis</b>	<ul style="list-style-type: none"><li>• Het SunPower Reserve-systeem is geschikt voor gebruik binnen en buiten.</li><li>• Installeer de omvormer niet op een plek waar iemand hem gemakkelijk kan aanraken, omdat de behuizing en het deksel tijdens bedrijf erg heet kunnen worden.</li><li>• Monteer het systeem niet in omgevingen met ontvlambare of explosieve materialen.</li><li>• Monteer het systeem buiten het bereik van kinderen.</li><li>• Gebruik voor het vastdraaien van schroeven in tapgaten geen hamer- of slagschroevendraaier. Beschadig schroeven of schroefgaten niet door ze met een te hoog koppel aan te draaien.</li><li>• Een minimum van 150 mm boven de grond is aan te bevelen ter bescherming tegen onderdompeling.</li></ul>
<b>Montageomgeving</b>	<ul style="list-style-type: none"><li>• Het systeem moet in een goed geventileerde omgeving worden gemonteerd om voldoende warmteafvoer te garanderen.</li><li>• Monteer het systeem op een beschutte plek of monteer er een luifel boven.</li><li>• De optimale temperatuur voor gebruik van de batterij is 15 °C tot 30 °C.</li><li>• Monteer het systeem niet op plaatsen waar het kan worden blootgesteld aan zonlicht. Het vermogen van het systeem kan bij extra warmte worden beperkt.</li><li>• Niet blootstellen aan of plaatsen in de buurt van waterbronnen zoals regenpijpen of sproeiers.</li><li>• Monteer het systeem niet in de openlucht in gebieden waar de kans op zoutnevel groot is en waar corrosie schade kan veroorzaken. Een gebied met een hoge waarschijnlijkheid van zoutnevel verwijst naar een gebied binnen 500 meter van de kust of dat blootstaat aan de zeewind.</li><li>• Als de batterij in de garage wordt gemonteerd, zorg er dan voor dat het product goed beschermd is tegen mogelijke mechanische invloeden.</li><li>• Aanbevolen locaties: binnen, overdekt of over het algemeen beschermd tegen weersinvloeden en extreme temperaturen (bijvoorbeeld in een garage).</li></ul>

**Montagestructuur**

- Het montageoppervlak achter het systeem moet zodanig zijn dat brand zich niet kan verspreiden. Het montageoppervlak achter het systeem moet brandwerend en gekeurd zijn indien de plaatselijke voorschriften dit vereisen.
- Zorg ervoor dat de montagevloer stevig is en het gewicht van het systeem kan dragen.

**Montagehoek met wandmontagetype**

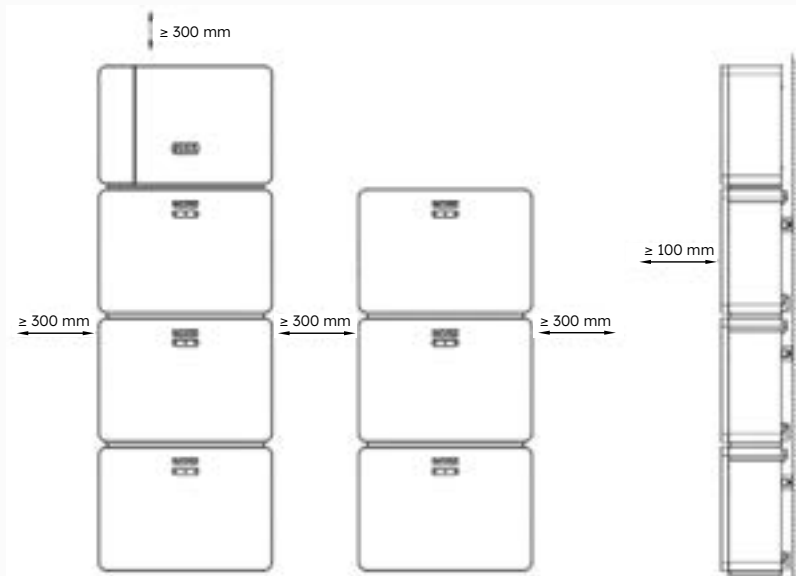
De omvormer moet op de batterij worden gemonteerd. De vereiste installatiehoek is:



Monteer het systeem niet voorover gekanteld, zijwaarts gekanteld, horizontaal of ondersteboven.

## Opstellingsruimte

- Houd rondom het product voldoende vrije ruimte vrij voor installatie, onderhoud en warmteafvoer.
- De vrije ruimte aan de zijkant is een aanbeveling. De vrije ruimte mag tot 100 mm kleiner zijn dan aangegeven mits de ventilatie voldoende is en er geen beperkingen of voorwerpen zijn die de toegang tot de etikettering of schakelaars van het product of het gebruik van gereedschap om afdekkingen te verwijderen of het product te onderhouden/verwijderen beperken.
- Plaatselijke voorschriften kunnen aanvullende vereisten voor vrije ruimte bevatten, vooral met betrekking tot vrije ruimte tussen het batterijsysteem en andere elektrische apparaten.



## 5.6 Het energieopslagsysteem monteren

### 5.6.1 Montage van de batterij met muurbeugel

Instructies voor batterijmontage aan de wand:



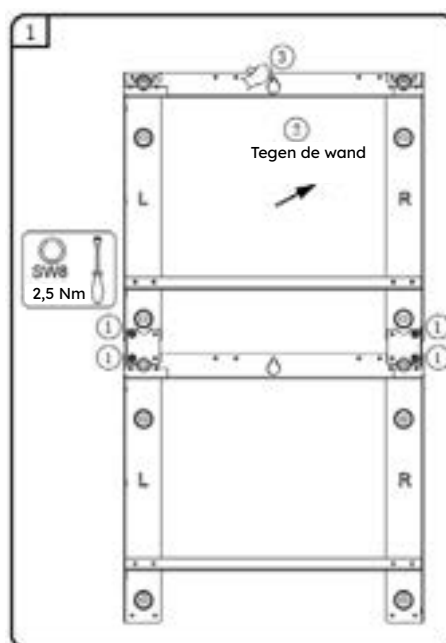
Risico op blessures bij het optillen van de batterij omdat de batterij 44 kg weegt. Er bestaat kans op letsel als de batterij verkeerd wordt opgetild of valt tijdens transport of montage.

- Transporteer en til de batterij altijd zoals hieronder wordt beschreven. Houd rekening met het gewicht van het product.
- Monteer en demonteer het product altijd met twee personen, met aandacht voor veiligheid.
- Draag bij alle werkzaamheden aan het product geschikte persoonlijke beschermingsmiddelen.

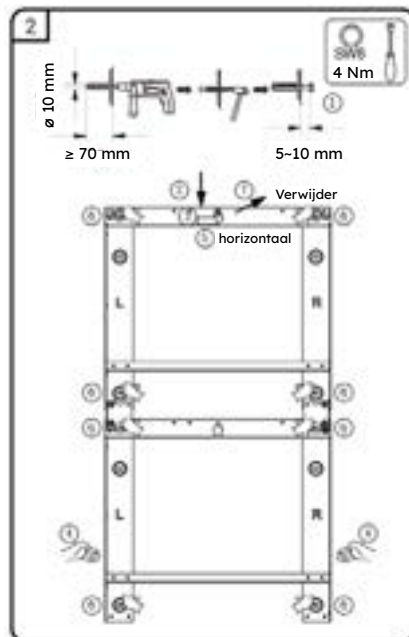
1. Haal de batterij uit de doos en verplaats hem naar de plek van installatie.



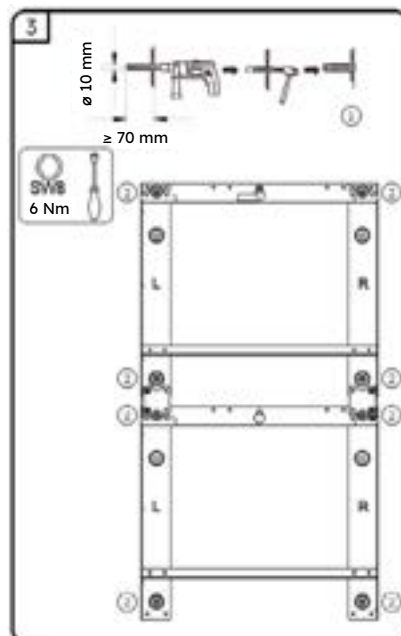
2. Pak de muurbeugels en verbindingen uit. Zet ze aan elkaar tot een raamwerk met M5 moeren. Selecteer een geschikte hoogte en houd voldoende ruimte vrij aan de onderzijde als je meer batterijen wilt toevoegen.



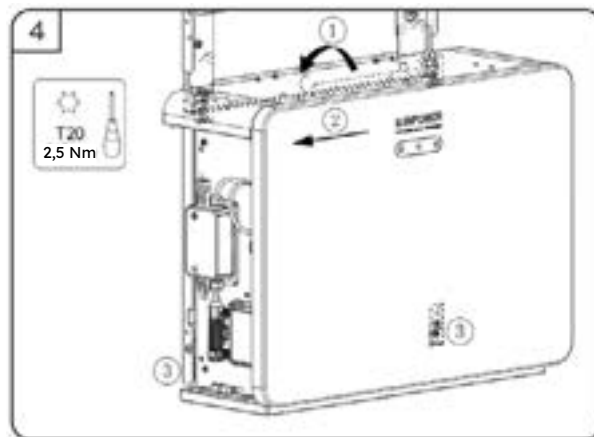
3. Boor het gemarkeerde gat met een boor van 10 mm. Plaats de plug in het boorgat en draai de meegeleverde schroef alvast aan. Houd een afstand van 5 mm ~ 10 mm tussen de schroefkop en de wand aan.  
Hang de muurbeugel aan de schroefkop, zorg dat hij volledig horizontaal is, markeer de andere boorposities en verwijder de muurbeugel.



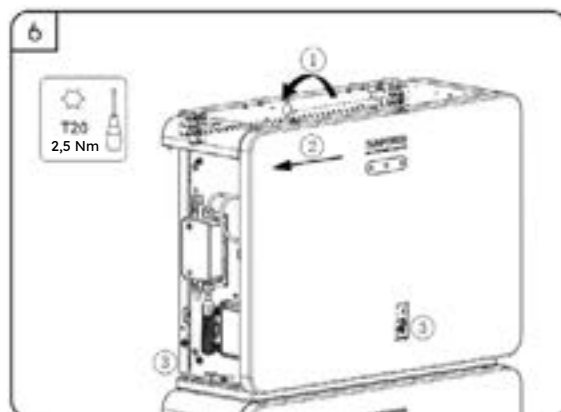
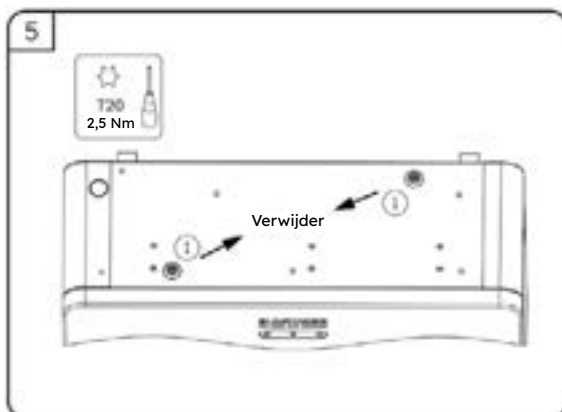
4. Boor de gemarkeerde gaten met een boor van 10 mm. Steek de pluggen in de boorgaten. Hang de muurbeugel aan de schroefkop en zet hem stevig vast aan de wand met de meegeleverde schroeven (gereedschap: dopsleutel van 8 mm, koppel: 6 Nm).



5. Houd de handgrepen aan beide zijden van de batterij altijd stevig vast, haak de batterij in de onderste muurbeugel en verplaats hem helemaal naar links. Bevestig de onderste gaten aan beide zijden van de batterij aan de muurbeugel en draai ze vast met twee M5\*12-schroeven (gereedschap: T20-schroevendraaier, koppel: 2,5 Nm).



6. Verwijder de twee eindblokken bovenop de batterij wanneer de volgende batterij met muurbeugel wordt gemonteerd. Monteer de rest van de batterijen door stap 4 en stap 5 te herhalen.



## 5.6.2 Demontage-instructies voor aan de wand gemonteerde batterijen

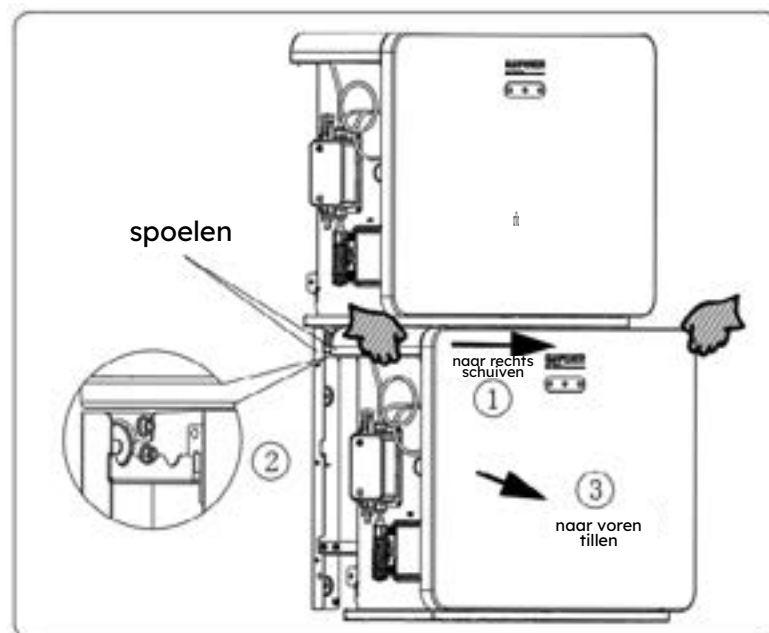


### Risico op blessures door het gewicht van de batterij

Er bestaat een kans op letsel als het product verkeerd wordt opgetild of valt tijdens het transport of de montage. Doe het volgende om dit te vermijden:

- Ga bij het transporteren en optillen van het product voorzichtig te werk. Houd rekening met het gewicht van het product (44 kg).
- Monteer en demonteer het product altijd met twee personen.
- Draag bij alle werkzaamheden aan het product geschikte persoonlijke beschermingsmiddelen.

Houd bij het demonteren van een batterij die met een muurbeugel is gemonteerd en niet direct op de omvormer is aangesloten, de handgrepen aan beide zijden van de batterij altijd stevig vast en schuif de batterij naar rechts. Zodra de linkerhandgreep van de onderste batterij op één lijn is met de linkerrand van de basis van de bovenste batterij, til je de batterij voorzichtig naar voren en weg van de muurbeugel.





### 5.6.3 De batterij monteren met behulp van de vloerbevestiging

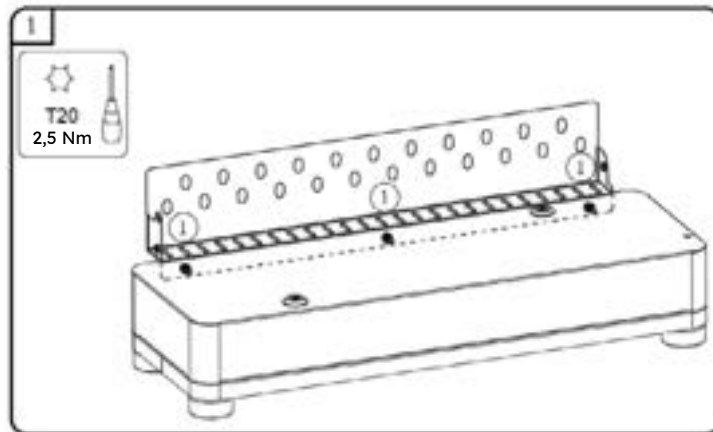
Instructies voor montage van batterijen op de vloer en tegen de wand:



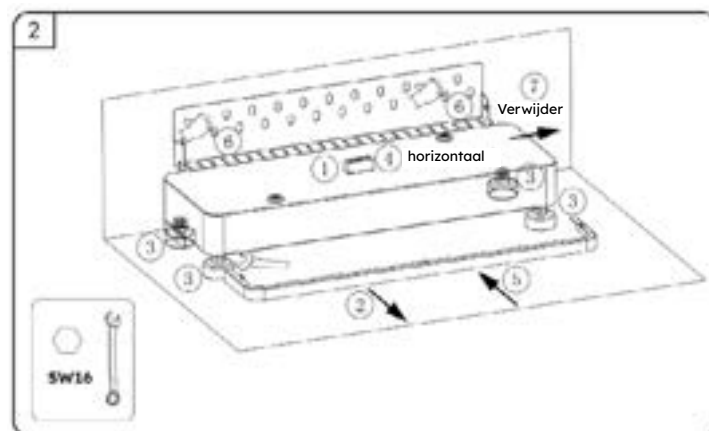
Risico op blessures bij het optillen van de batterij omdat de batterij 44 kg weegt. Er bestaat kans op blessures als de batterij verkeerd wordt opgetild of valt tijdens transport of montage.

- Transporteer en til de batterij altijd zoals hieronder wordt beschreven. Houd rekening met het gewicht van het product.
- Monteer en demonteer het product altijd met twee personen, met aandacht voor veiligheid.
- Draag bij alle werkzaamheden aan het product geschikte persoonlijke beschermingsmiddelen.

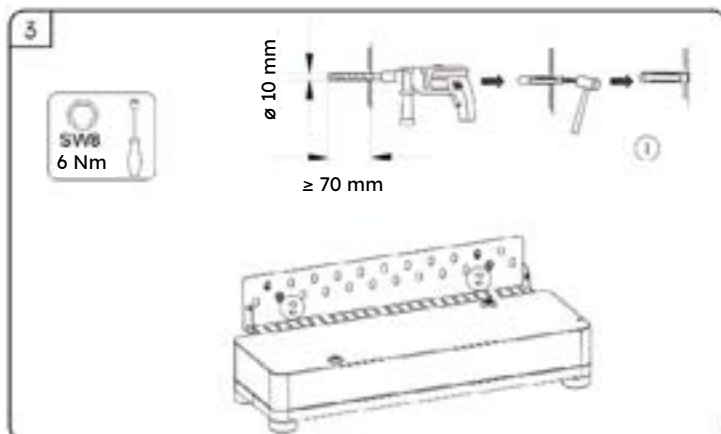
1. Maak de basiseenheid en de wandverbindingsplaat van de basiseenheid stevig aan elkaar vast met drie M5\*12-schroeven (gereedschap: T20-schroevendraaier, koppel: 2,5 Nm).



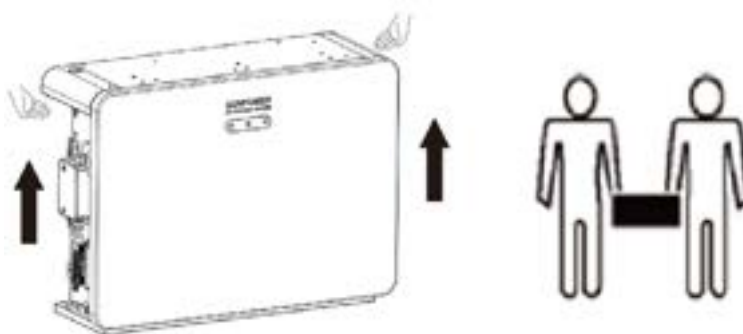
2. Plaats de kleine waterpas in het midden van het voetstuk, verwijder het deksel van de voetjes, stel de vier voetjes waterpas op het voetstuk, monteer het deksel van de voetjes op het voetstuk, markeer de boorposities op de muur en verwijder het voetstuk.



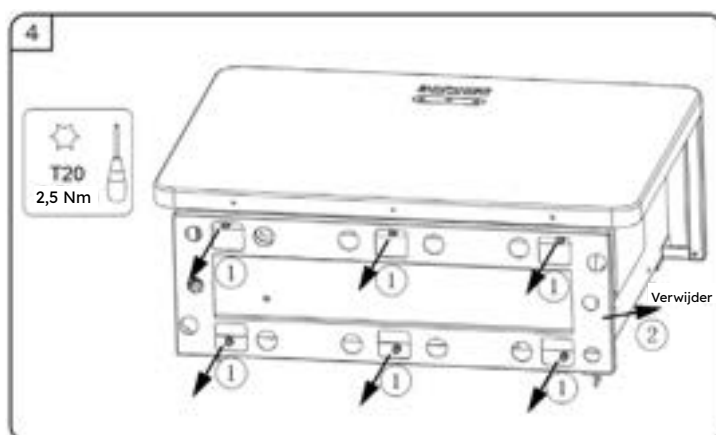
3. Boor het gemarkeerde gat met een boor met een diameter van 10 mm. Steek de pluggen in de boorgaten, zet de basiseenheid stevig vast aan de wand met de meegeleverde schroeven (gereedschap: SW8-dopsleutel, koppel: 6 Nm).



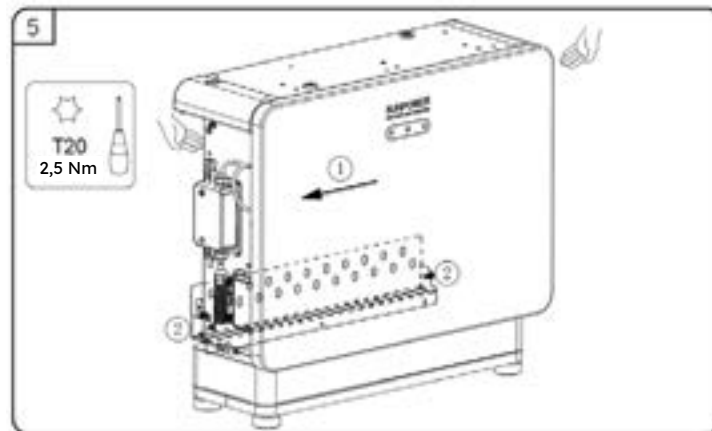
4. Haal de batterij uit de doos en verplaats hem naar de plek van installatie.



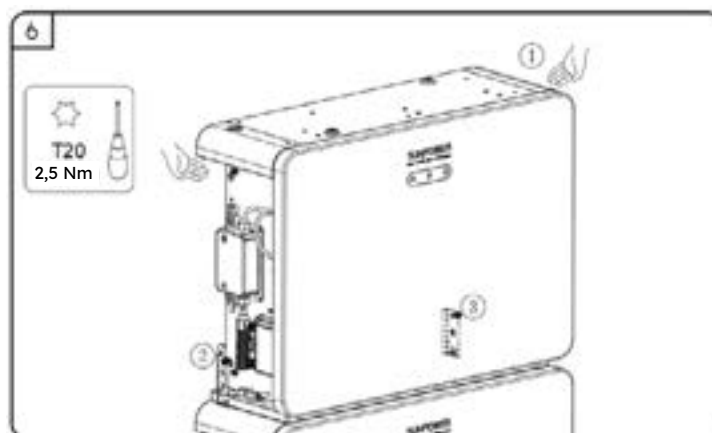
5. Haal de batterijbasis van de onderkant van de batterij (gereedschap: T20-schroevendraaier, koppel: 2,5 Nm). De batterij zit aan de onderkant. Controleer hierbij het uiterlijk van de batterij.



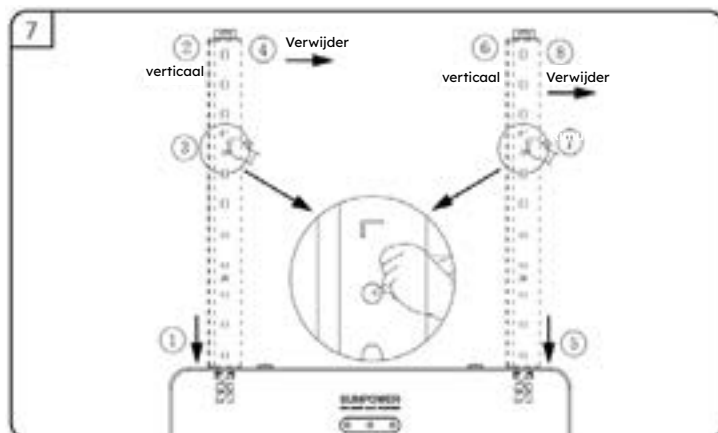
6. Til de batterij op aan de handgrepen aan beide zijden, plaats de batterij op de basiseenheid en beweeg hem helemaal naar links. Zorg dat de onderste gaten aan beide zijden van de achterkant van de batterij op één lijn zitten met de wandverbindingsplaat van de basiseenheid en zet ze stevig aan elkaar met twee M5\*10-schroeven (gereedschap: T20-schroevendraaier, koppel: 2,5 Nm).



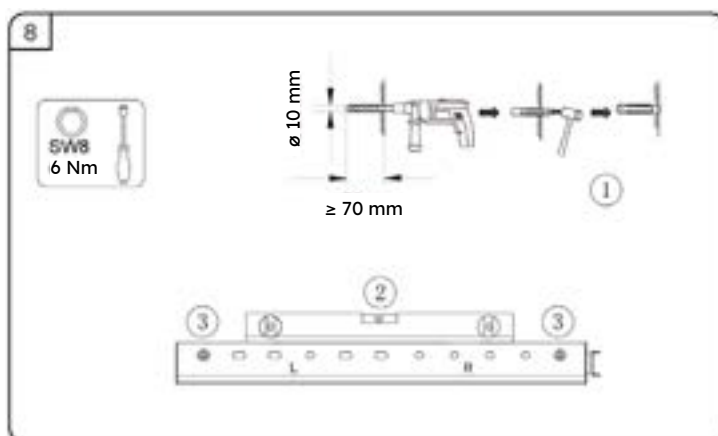
7. Ga naar stap 8 als de kolom uit slechts twee batterijen bestaat. Til de batterij op aan de handgrepen aan beide zijden en plaats deze batterij op de onderste batterij. Lijn hierbij de twee uitsparingen aan de onderkant van de bovenste batterij uit met de verhoogde eindblokken aan de bovenkant van de onderste batterij. Verwijder het verbindingstuk linksonder en rechtsonder en gebruik deze om de linksonder van de bovenste batterij te verbinden met de linksboven van de onderste batterij met schroeven M5\*10 (gereedschap: T20-schroevendraaier, koppel: 2,5 Nm) en verbind de rechteronderkant van de bovenste batterij met de rechterbovenkant van de onderste batterij.



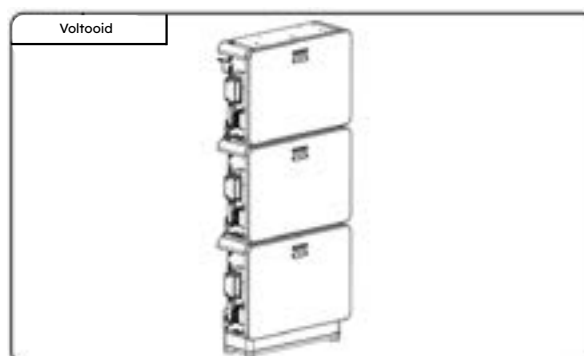
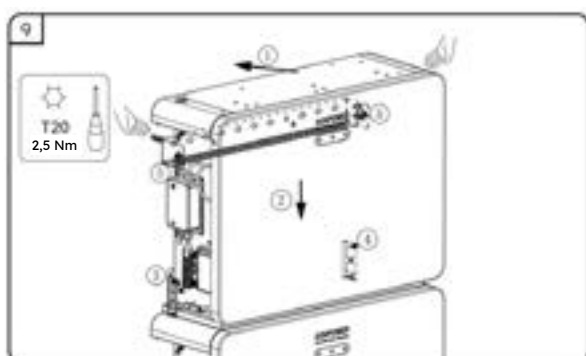
8. Pak de wandverbindingsplaat van de batterij.  
Plaats de opstaande rand van de plaat naar links, duw de onderkant van de plaat tegen de linker- en rechterhaken op de achterkant van de batterij, stel de verticale positie in en markeer de boorposities door het ronde gat op de muur.



9. Boor het gemarkeerde gat met een boor met een diameter van 10 mm. Steek de pluggen in de boorgaten en bevestig de wandverbindingsplaat van de batterij aan de wand met de meegeleverde schroeven (gereedschap: SW8-dopsleutel, koppel: 6 Nm).



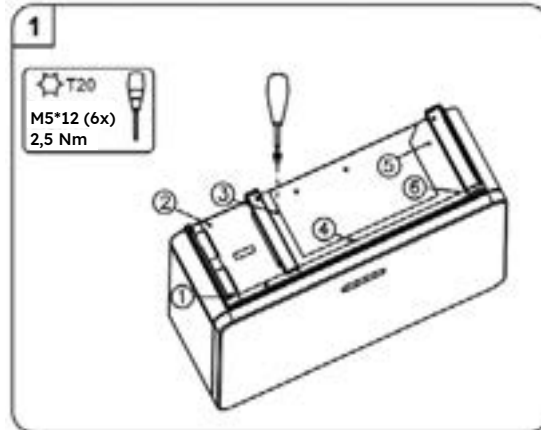
10. Til de batterij horizontaal op, laat het bovenste deel van de batterij door de wandaansluitplaat van de batterij gaan en plaats de batterij verticaal op de onderste batterij.  
Verwijder het verbindingstuk linksonder en rechtsonder en gebruik deze om de linksonder van de bovenste batterij te verbinden met de linksboven van de onderste batterij met schroeven M5\*10 (gereedschap: T20-schroevendraaier, koppel: 2,5 Nm) en verbind de rechteronderkant van de bovenste batterij met de rechterbovenkant van de onderste batterij.  
Zet de batterij stevig vast aan de wandverbindingsplaat met twee M5\*12-schroeven (gereedschap: T20-schroevendraaier, koppel: 2,5 Nm).



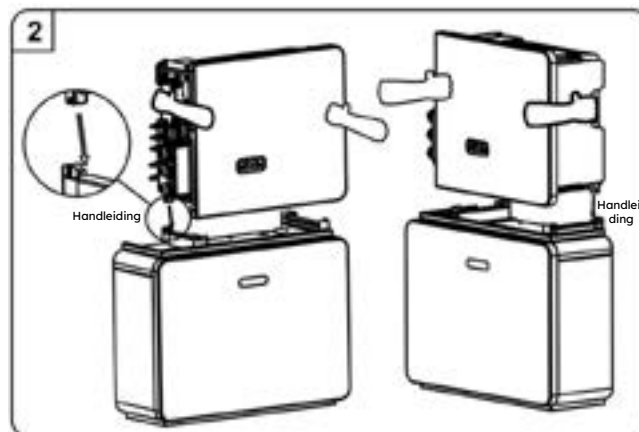
## 5.6.4 De omvormer op de batterij monteren

De omvormer recht op de batterij monteren:

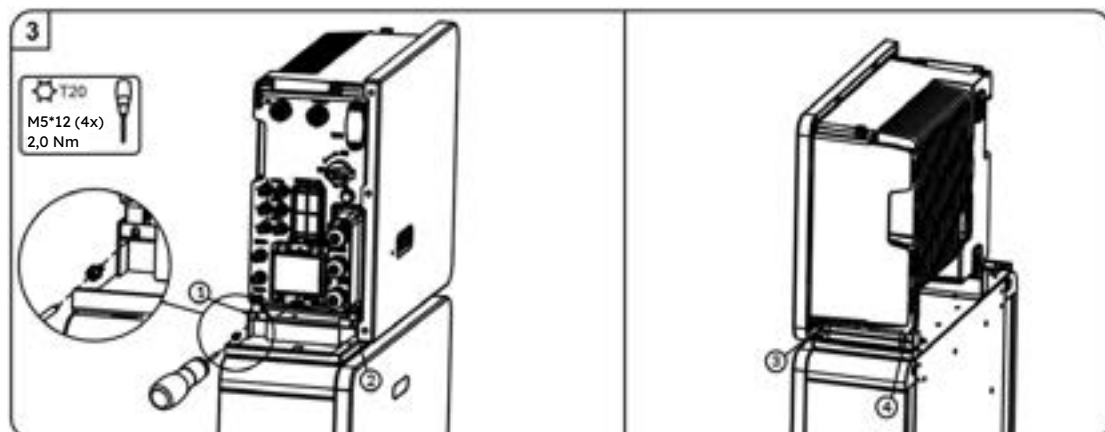
1. Plaats de omvormerbasis bovenop de batterij en maak de basis en de batterij met zes M5\*12 schroeven aan elkaar vast (gereedschap: T20-schroevendraaier, koppel: 2,5 Nm).



2. Plaats de omvormer in de omvormerbasis. Hierbij moeten de uitsteeksels op de omvormerbasis in de overeenkomstige onderste linker en rechter gaten aan de onderkant van de omvormer worden gestoken.



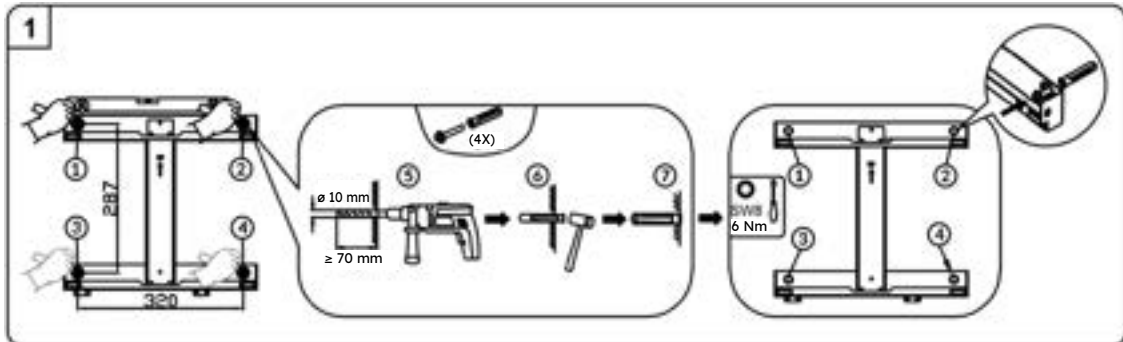
3. Bevestig de omvormer aan de omvormerbasis. De montagegaten van de omvormer moeten worden uitgelijnd met de horizontale gaten van de omvormerbasis. Zet ze elk aan de linker- en rechterkant vast met twee M5x12 mm-schroeven (gereedschap: T20-schroevendraaier, koppel: 2,5 Nm).



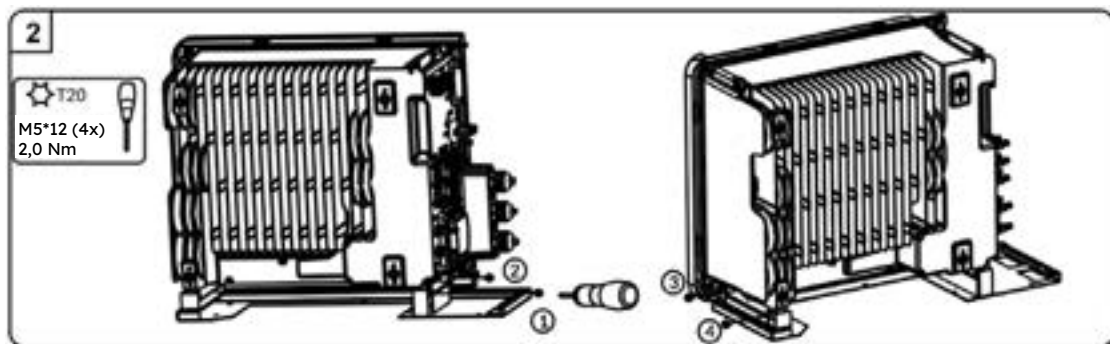
## 5.6.5 De omvormer op een muurbeugel monteren

Als de omvormer met een muurbeugel wordt gemonteerd, kunnen op een later moment eenvoudig extra batterijen worden toegevoegd.

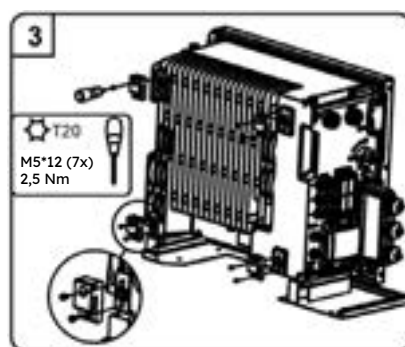
1. Pak de muurbeugel voor de omvormer uit. Kies een geschikte hoogte voor de batterij. We bevelen aan voldoende ruimte over te laten om later een extra batterij te kunnen toevoegen. Markeer de vier boorpunten voor de muurbeugel. Boor de gemarkeerde gaten met een boor van 10 mm. Steek pluggen in de boorgaten. Controleer voor het vastzetten met een waterpas of de muurbeugel volledig horizontaal is. Bevestig de beugel aan de wand en draai de schroeven vast met de zeskantsleutel van 8 mm.



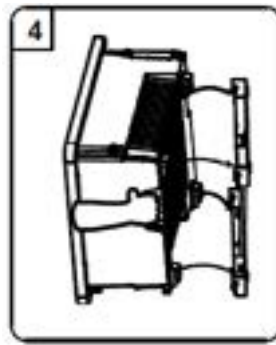
2. Pak de omvormerbasis en plaats de omvormer in de omvormerbasis. Hierbij moeten de uitsteeksels op de omvormerbasis in de overeenkomstige onderste linker en rechter gaten aan de onderkant van de omvormer worden gestoken. Maak de omvormerbasis en de omvormer aan elkaar vast met elk twee M5x12 schroeven aan de linker- en rechterkant (gereedschap: T20-schroevendraaier, koppel: 2,5 Nm).



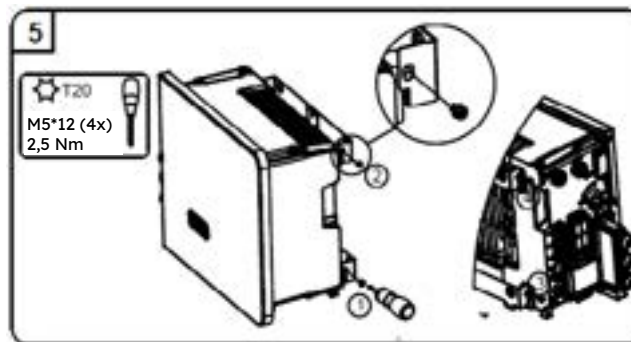
3. Monteer de vier haken voor de muurbeugel met M5x12 schroeven op de achterkant van de omvormer (gereedschap: T20-schroevendraaier, koppel: 2,5 Nm).



4. Haak de omvormer in de muurbeugel. Zorg dat de batterij stevig op zijn plaats zit.



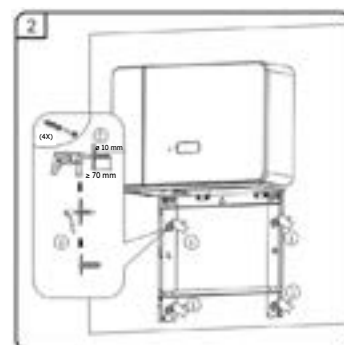
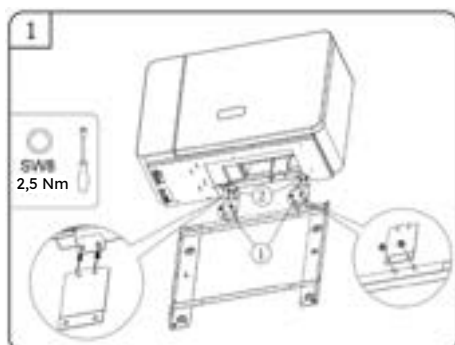
5. Bevestig de omvormer aan de muurbeugel. Steek hiervoor de vier M5x12 schroeven in de onderste en bovenste schroefgaten aan beide zijden van de omvormer en draai ze vast (gereedschap: T20-schroevendraaier, koppel: 2,5 Nm).



### 5.6.6 Batterijmontage voor 'battery ready'-toepassing

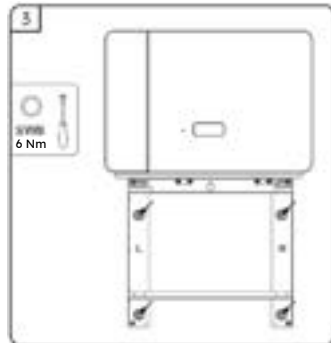
In een 'battery ready'-scenario heeft de gebruiker een hybride omvormer als PV-omvormer geïnstalleerd en geen batterij geïnstalleerd. De gebruiker kan later alsnog besluiten om een batterij te installeren. In dit onderdeel leggen we uit hoe je de eerste batterij installeert. Volg hiervoor onderstaande stappen.

1. Neem de muurbeugel van de batterij en twee verbindingsschroeven tussen muurbeugels van omvormer en eerste batterij uit, monteer ze met M5-moeren (gereedschap: SW8-zeskantsleutel, koppel: 2,5 Nm).
2. Breng de bovenste gaten van de verbindingsschroeven tussen de wandsteunen van de omvormer en de eerste batterij op één lijn met de onderste popnagels van de wandsteun van de omvormer, markeer de boorposities op de wand en verwijder de wandsteun van de batterij.

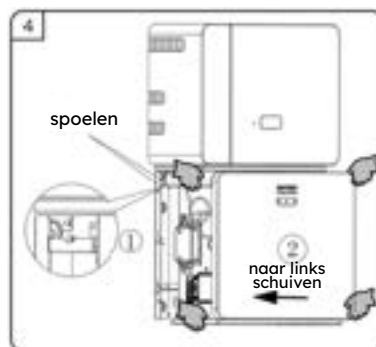




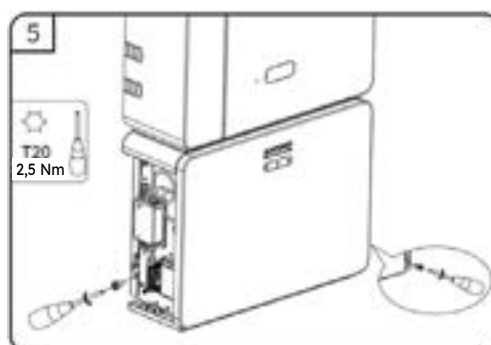
3. Boor het gemarkeerde gat met een boor met een diameter van 10 mm. Steek de pluggen in de boorgaten. Lijn de bovenste gaten van de verbindingsplaten tussen wandsteunen van omvormer en eerste batterij uit met de onderste popnagels van de wandsteun van de omvormer, bevestig de wandsteun van de batterij aan de wand met de meegeleverde schroeven (gereedschap: SW8-dopsleutel, koppel: 10 Nm).



4. Houd altijd de handgrepen aan beide kanten van de batterij stevig vast en beweeg hem naar links, laat de linkerhaak van de batterij door de opening van de batterijhouder gaan, til de batterij voorzichtig naar achteren en beweeg hem naar de linkerlimiet.



5. Bevestig de batterij aan de muurbeugel en draai ze vast met twee schroeven (gereedschap: T20-schroevendraaier, koppel: 2,5 Nm).

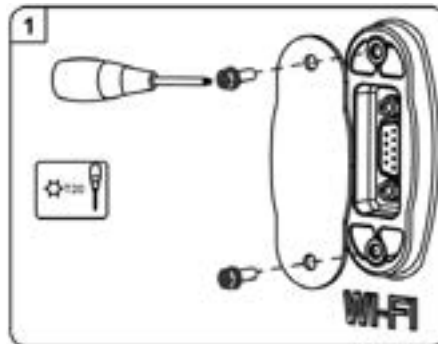


6. Zie voor de montageschappen voor extra batterijen onderdeel 5.6.1. Montage van de batterij met muurbeugel.

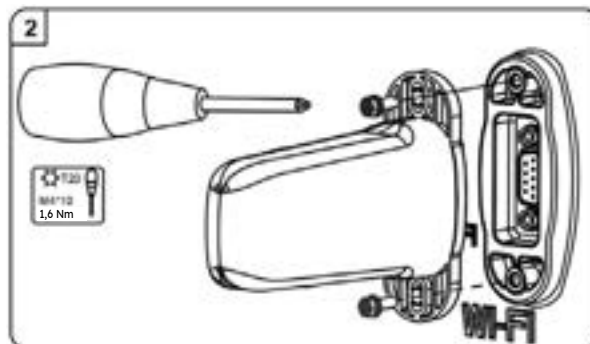


## 5.6.7 De wifi-module monteren

1. Verwijder het beschermklepje van de wifi-poort linksboven op de omvormer.



2. Zet de wifi-module vast op de omvormer met twee meegeleverde M4x12 schroeven (gereedschap: T20-schroevendraaier, koppel: 1,6 Nm). NIET TE STRAK AANDRAAIEN – hierdoor kan de kunststof behuizing van de wifi-module beschadigd raken.



## 6.0 Elektrische aansluiting



Schade aan het energieopslagsysteem door onjuiste kabelaansluitingen valt niet onder de garantie. Alleen gecertificeerde elektriciens mogen kabels aansluiten. Bedieningspersoneel moet de juiste persoonlijke beschermingsmiddelen (PBM) dragen bij het aansluiten van kabels.



Voordat je kabels aansluit, moet je ervoor zorgen dat alle lastscheiders en schakelaars van het energieopslagsysteem op UIT staan. Als je dat niet doet, kan de hoge spanning/stroom van het systeem elektrische schokken veroorzaken.



De kabelkleuren in de elektrische-verbindingsschema's in dit onderdeel dienen alleen ter referentie. Selecteer kabels in overeenstemming met de plaatselijke kabelspecificaties (groen-gele kabels worden alleen gebruikt voor PE).

### 6.1 Vereisten voor kabels (niet inbegrepen)

Nr.	Kabel	Type	Diameterbereik van geleiders	Buitendiameter
1	PV-voedingskabel	Standaard PV-kabel (lokale voorschriften van toepassing)	4 tot 6 mm <sup>2</sup>	5-8 mm
2*	Datakabel	Standaard netwerkkabel (aanbevolen type: Cat5e, SFTP, uv-resistent voor buitengebruik)	0,12 tot 0,2 mm <sup>2</sup> (AWG26 tot AWG24)	4-6 mm
#3	Datakabel	Afgeschermd twisted-pair koperen buitenkabel	0,5 tot 1,3 mm <sup>2</sup>	4-6 mm
4	AC-voedingskabel	Vijfaderige (L1, L3, L3, N en PE) koperen buitenkabel	4 tot 6 mm <sup>2</sup>	Ø 13~17,5 mm
5	Aardekabel (PE)	Enkeladerige koperen buitenkabel	4 tot 6 mm <sup>2</sup>	N.v.t.

\* Voor communicatieaansluiting van RS485, LAN, driefasige meter, DRM met omvormer.

\*\* Voor AUX-communicatieaansluiting met omvormer.

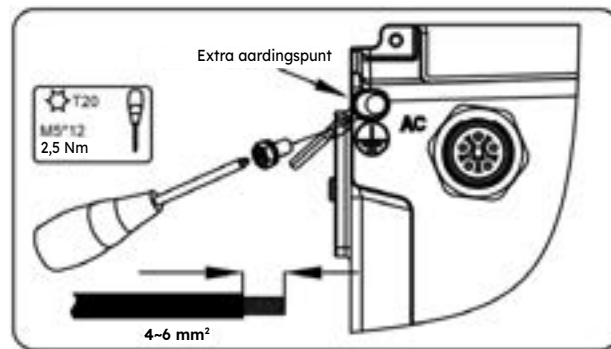
### 6.2 Aardingsaansluiting



Risico op elektrische schokken:

Voordat je een elektrische aansluiting maakt, moet je ervoor zorgen dat de PV-schakelaar en alle AC- en BAT-lastscheiders in het energieopslagsysteem zijn uitgeschakeld en niet per ongeluk of onbedoeld opnieuw geactiveerd kunnen worden.

Er zit een aardingspunt nabij de AC-connector op de omvormer. Maak de M5-kabelschoenen van het type oog/ring klaar, strip de isolatie van de aardingskabel, steek het gestripte deel van de aardingskabel in de ringkabelschoen en krimp met een krimptang. Sluit de aardingsklem aan op de omvormer (gereedschap: T20-schroevendraaier, koppel: 2,5 Nm).



## 6.3 AC-aansluiting

### 6.3.1 Vereisten voor de AC-aansluiting

AC-kabelvereisten als volgt:

- Type geleider: koperdraad
- De stroomcapaciteit is afhankelijk van het gekozen omvormermodel en moet zodanig zijn dat de AC-kabel de volledige stroom van de AC-voeding en de Back-up uitgang kan transporteren:

Voorbeeld voor omvormermodel van 10 kW

Max. stroom AC-voeding: 21,7 A

Max. stroom back-upuitgang: 21,7 A

Note:Opmerking: Houd bij het selecteren van draaddiameters rekening met temperatuurderating en spanningsdalingen/-stijgingen. Bij kabels die temperaturen van 110 °C of hoger aankunnen, vindt de temperatuurderating langzamer plaats.

- Externe diameter: meestal 13 mm tot 17,5 mm voor netconnector en back-upconnector
- Aanbeveling voor diameter van net- en back-upgeleider: 4 tot 6 mm<sup>2</sup>
- Striplengte isolatie: 10 mm
- Striplengte huls: 43 mm



Je moet elke omvormer beveiligen met een individuele net-/back-up stroomonderbreker om ervoor te zorgen dat de omvormer veilig kan worden losgekoppeld.



Reststroombewakingseenheid:

De omvormer heeft tijdens bedrijf geen externe aardlekschakelaar nodig.

Als lokale voorschriften of een bepaalde installatieconfiguratie het gebruik van een aardlekschakelaar of een hybride gekoppeld opslagsysteem met een grote koppelcapaciteit van de PV-generator en PV-omvormer vereisen, moet het volgende in acht worden genomen:

De omvormer is compatibel met type A-aardlekschakelaars met een nominale aardlekstroom van 100 mA of hoger. Elke omvormer in het systeem moet via een aparte aardlekschakelaar worden aangesloten op het elektriciteitsnet.



Voor installatielocaties in Australië en Nieuw-Zeeland moeten de neutrale kabels van de netzijde en de back-upzijde worden aangesloten, anders werkt de back-upuitgangsfunctie niet normaal.

**LET OP**

Normale belastingen en essentiële belastingen moeten altijd naar behoren worden beschermd door aardlekbeveiligingsinrichtingen (bijvoorbeeld aardlekschakelaars van type A of B, aardlekbeveiligingsinrichtingen) conform de toepasselijke normen.

Back-up belastingen mogen de nominale capaciteit van de omvormer niet overschrijden, zelfs niet tijdens gebruik op het net.

### 6.3.2 Een geschikte AC-lastscheider kiezen

De algemene vereisten voor de selectie van lastscheiders worden bepaald door normen en landspecifieke bepalingen. Hieronder worden algemeen toepasbare invloedsfactoren opgesomd waarmee rekening moet worden gehouden bij het kiezen van een geschikte lastscheider:

- Factoren die de belastbaarheid van de kabel beïnvloeden: type kabel dat wordt gebruikt, omgevingstemperatuur rond de kabel, type kabelgeleiding, bundeling van kabels.
- Andere invloeden op de uitvoering: lus-impedantie, wederzijdse verwarming van lastscheiders, omgevingstemperatuur bij de lastscheider, selectiviteit, type aangesloten apparaat.

Als deze factoren worden genegeerd, neemt het risico toe dat de lastscheider uitschakelt onder normale bedrijfsomstandigheden.

De selectie van lastscheiders voor de AC-voeding en back-up uitgang is afhankelijk van de maximale stroom van het back-up circuit en de omvormer (indien gedwongen geladen) en het gebruikte model lastscheiders en de reductie van de stroomsterkte wanneer hun maximumtemperatuur wordt bereikt (derating). In de datasheets van leveranciers wordt informatie verschaft over de temperatuur-derating van lastscheiders. Zorg dat de gebruikte lastscheiders geschikt zijn voor de stroom en bedrijfstemperatuur om te voorkomen dat de lastscheider geactiveerd wordt onder normale gebruiksomstandigheden.

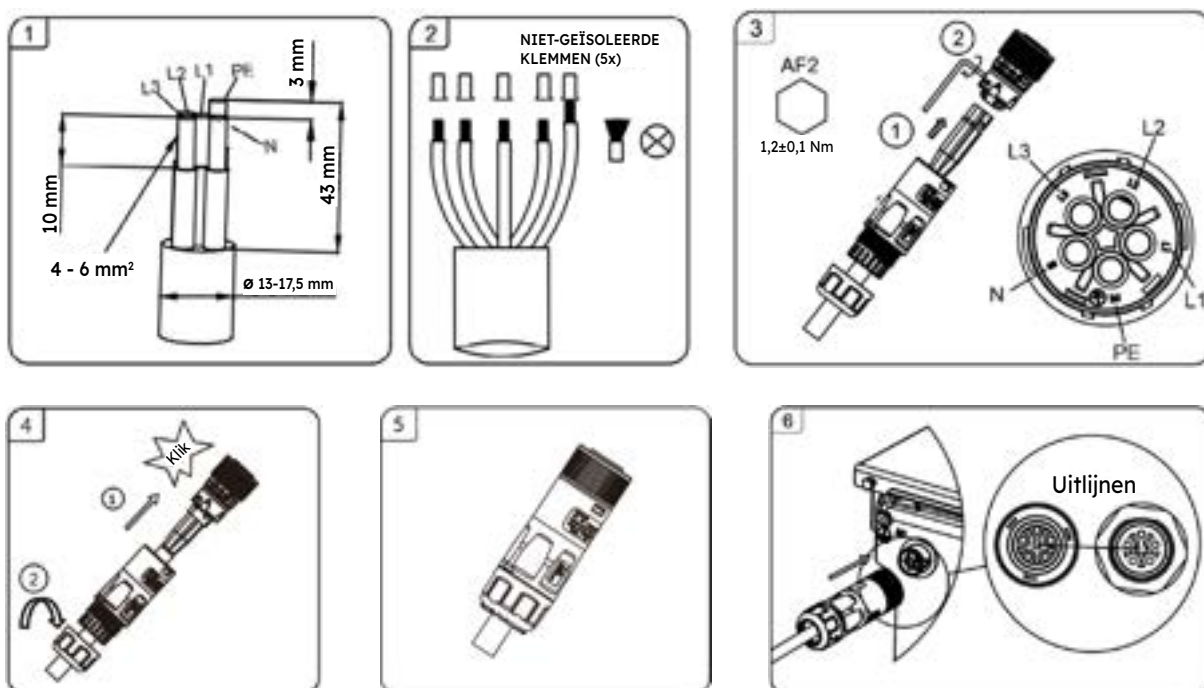
## Aanbevolen AC-verbinding

Beschrijving	Nominale stroom	Type lastscheider	Aanbevolen kabeldiameter
Netzijde	21,7 A	32 A	4 tot 6 mm <sup>2</sup>
Back-upzijde	21,7 A	32 A	4 tot 6 mm <sup>2</sup>

### 6.3.3 Net- en back-up-aansluiting

De stappen voor het aansluiten van de netconnector zijn als volgt:

1. Verbreek de verbinding tussen de PV-schakelaar, het net, de back-up en de batterijlastscheider en zorg dat niet opnieuw verbinding kan worden gemaakt.
2. Strip de buitenisolatie van de AC-kabel 43 mm.
3. Kort L1, L2, L3 en N elk 3 mm in, zodat de aardgeleider 3 mm langer is. Dit zorgt ervoor dat de aardgeleider bij trekspanning als laatste van de schroefklem wordt getrokken.
4. Strip de isolatie van L1, L2, L3, N en de aardgeleider 10 mm.
5. Als je flexibele draad gebruikt, voorzie dan L1, L2, L3, N en PE van adereindhulzen.
6. Demonteer de netconnector en haal de wartelmoer en draadhuls over de wisselstroomkabel.
7. Steek de vijf geleiders in de schroefklemmen op de aansluitbus en draai de schroeven vast met het meegeleverde gereedschap (koppel van 1,2 Nm). Zorg dat alle geleiders stevig op hun plaats zitten in de schroefklemmen op de aansluitbus.
8. Steek de draadhuls in de aansluitbus. Je moet hierbij een klikgeluid horen. Schroef de wartelmoer in de draadhuls.
9. Steek de netconnector zo in de netaansluiting dat hij hoorbaar op zijn plaats klikt. Lijn daarbij de netstekker zo uit dat de bolle ribbel op het businzetstuk op de netstekker eerst naar de groef op de netaansluitbus wijst en steek dan de netstekker in de netaansluitbus.

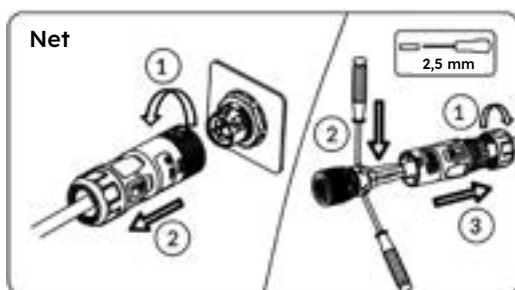


De stappen voor back-upverbinding zijn vergelijkbaar met die voor verbinding met het net, met het volgende verschil in stap 9:

Steek de back-upconnector zo in de back-upaansluiting dat hij hoorbaar op zijn plaats klikt. Lijn daarbij de back-up connector zo uit dat de **groef** op het businzetstuk op de back-up connector eerst naar de **bolle rib** op de back-up aansluitbus wijst en steek dan de back-up connector in de back-up aansluitbus.

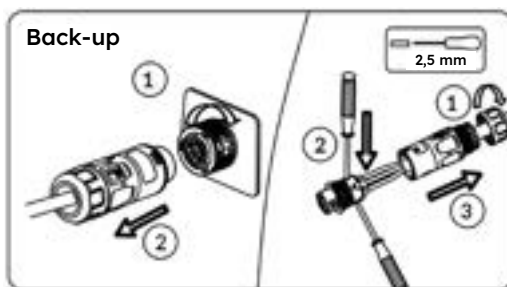
Ga als volgt te werk om de netconnector uit elkaar te halen (bijvoorbeeld als deze verkeerd gemonteerd is).

1. Haal de netconnector uit de netaansluiting. Draai de aansluitbus van de netconnector tegen de klok in en trek de netconnector uit de netaansluiting. Trek niet aan de kabel.
2. Ontgrendel de netconnector. Om dit te doen, schroef je de wartelmoer uit de draadhuls, plaats je vervolgens een platte schroevendraaier (bladbreedte: 2,5 mm) in het vergrendelingsmechanisme aan de zijkant en wrik je het vergrendelingsmechanisme open. Trek de aansluitbus er voorzichtig uit.



Ga als volgt te werk om de back-upconnector uit elkaar te halen (bijvoorbeeld als deze verkeerd gemonteerd is).

1. Haal de back-upconnector uit de back-upaansluiting. Draai de aansluitbus van de back-upconnector met de klok mee en trek de back-upconnector uit de back-upaansluiting. Trek niet aan de kabel.
2. Ontgrendel de back-upconnector. Om dit te doen, schroef je de wartelmoer uit de draadhuls, plaats je vervolgens een platte schroevendraaier (bladbreedte: 2,5 mm) in het vergrendelingsmechanisme aan de zijkant en wrik je het vergrendelingsmechanisme open. Trek de aansluitbus er voorzichtig uit.



## 6.3.4 Aansluiting energiemeter

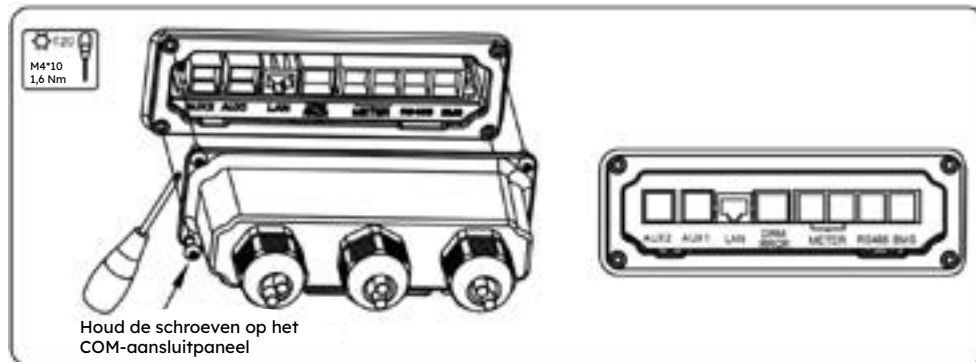
### 6.3.4.1 Energiemeter

Item	Stroom	Scenario's
DTSU666-3*230 V 100 A/40 mA	100 A	Driefasige meter

### 6.3.4.2 Meterbedrading

Instructies voor meterbedrading:

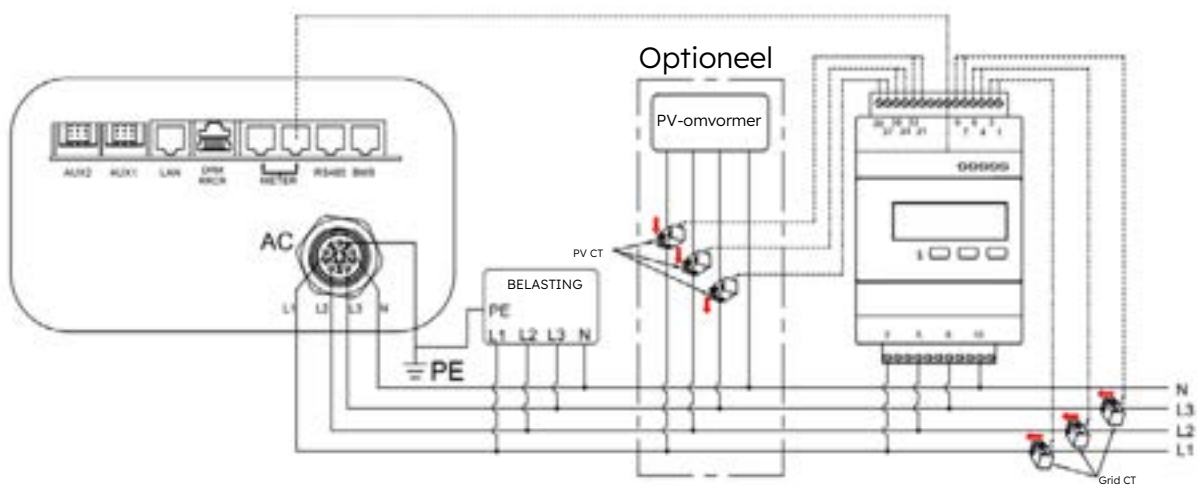
1. Gebruik de meter, typ: DTSU666-3\*230 V 100 A/40 mA.
2. Bereid de communicatiekabel van de meter voor. De vereisten zijn: standaard netwerkkabel (aanbevolen type: Cat5e, SFTP, uv-resistent voor buitengebruik).
3. Draai de trekontlastingsmoer van de wartel op het COM-aansluitpaneel van de omvormer los en draai de 4 schroeven op de hoeken los. Er worden twee poorten voor metercommunicatie met dezelfde functie zichtbaar.



4. Haal de meterkabel door de kabelwartel van het COM-aansluitpaneel, maar draai de trekontlastingsmoer van de kabelwartel niet stevig aan.
5. Steek de RJ45-stekker in de communicatiepoort die herkenbaar is aan het 'METER'-symbool.
6. Bedraad de meter volgens onderstaand bedradingschema. De aansluitingen zijn duidelijk gemarkeerd op de meter.

#### LET OP

Wees zorgvuldig wanneer je deze aansluitingen bedraadt en controleert, omdat de aansluitingen omgekeerd lijken wanneer de meter op zijn plaats op de Din Rail is bevestigd. Controleer altijd fysiek het label op de meter wanneer je CT's of net referentiekabels bedraadt.



Beschrijving van de bedradingslocatie van de meter

NET-CT	PV-CT	NET
1-----IA* (wit)	31-----IA* (wit)	2-----L1
3-----IA (blauw)	33-----IA (blauw)	5-----L2
4-----IB* (wit)	34-----IB* (wit)	8-----L3
6-----IB (blauw)	36-----IB (blauw)	10----- N
7-----IC* (wit)	37-----IC* (wit)	
9-----IC (blauw)	39-----IC (blauw)	

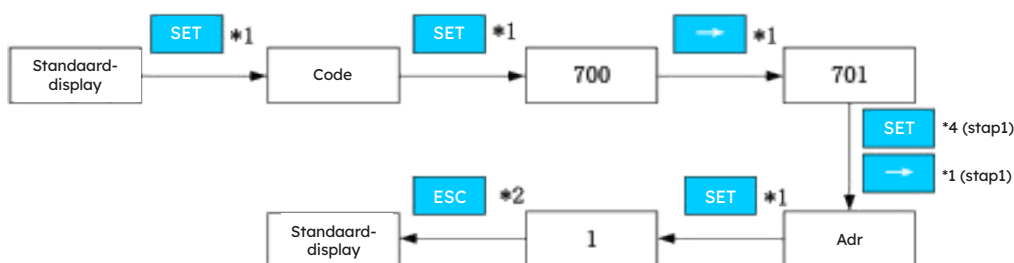
CT-groep	Raster -> belasting						PV -> belasting							
CT-fase	IA*	IA	IB*	IB	IC*	IC			IA*	IA	IB*	IB	IC*	IC
Aansluiting	1	3	4	6	7	9	X	X	31	33	34	36	37	39
Kleur	Wit	Blauw	Wit	Blauw	Wit	Blauw			Wit	Blauw	Wit	Blauw	Wit	Blauw

### 6.3.4.3 Meterconfiguratie

Instructies voor configuratie van een driefasige meter:




Het standaardadres is 1. De installateur hoeft geen andere instellingen te configureren. Als de installateur een controle wil uitvoeren, kunnen de onderstaande stappen worden gevolgd.



Wijzig de CT-ratio van de meter niet.



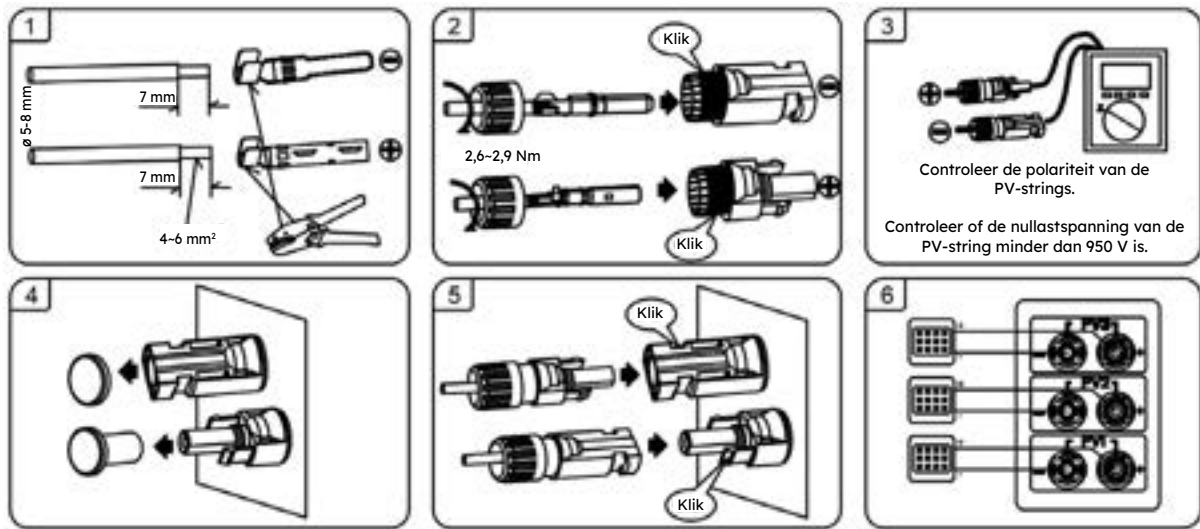
## 6.4 PV-aansluiting

 <b>GEVAAR</b>	<p>Levensgevaar wegens elektrische schokken als spanningvoerende onderdelen of DC-kabels worden aangeraakt.</p> <p>De DC-kabels die zijn aangesloten op een batterij of PV-module kunnen onder spanning staan. Het aanraken van DC-kabels onder spanning kan leiden tot ernstig letsel of zelfs de dood als gevolg van elektrische schokken. Doe het volgende om dit te vermijden:</p> <ul style="list-style-type: none"><li>• Koppel de omvormer en de batterij los van spanningsbronnen en zorg ervoor dat deze niet opnieuw kunnen worden aangesloten voordat je aan het apparaat werkt.</li><li>• Raak geen niet-geïsoleerde onderdelen of kabels aan.</li><li>• Koppel de DC-connectoren niet los onder belasting.</li><li>• Draag bij alle werkzaamheden aan het product geschikte persoonlijke beschermingsmiddelen.</li><li>• Neem alle veiligheidsinformatie in dit document in acht.</li></ul>
<b>LET OP</b>	<p>Destructie van de omvormer door overspanning</p> <p>Als de open-circuit spanning van de PV-modules hoger is dan de maximale ingangsspanning van de omvormer, kan de omvormer kapot gaan door overspanning.</p> <ul style="list-style-type: none"><li>• Als de open-circuit spanning van de PV-modules hoger is dan de maximale ingangsspanning van de omvormer, sluit dan geen strings aan op de omvormer en controleer het ontwerp van het PV-systeem.</li></ul>
<b>LET OP</b>	<p>Schade aan het product door aardfout aan DC-zijde tijdens bedrijf</p> <p>Vanwege de transformatorloze omvormer kan het optreden van aardfouten aan DC-zijde tijdens bedrijf leiden tot onherstelbare schade. Schade aan de omvormer door een defecte of beschadigde DC-installatie valt niet onder de garantie. De omvormer is uitgerust met een beveiliging die tijdens de startvolgorde controleert of sprake is van een aardlek. De omvormer is tijdens bedrijf niet beschermd.</p> <ul style="list-style-type: none"><li>• Zorg dat de DC-installatie correct wordt uitgevoerd en er zich tijdens bedrijf geen aardlek voordoet.</li></ul>
<b>LET OP</b>	<p>Als de PV-ingangen niet afgesloten zijn, kan schade aan de omvormer ontstaan door het binnendringen van zand, stof en vocht.</p> <p>De omvormer is pas goed afgedicht als alle ongebruikte PV-ingangen zijn afgedicht met pluggen. Als er zand, stof of vocht binnendringt, kan de omvormer beschadigd raken of niet goed werken.</p> <ul style="list-style-type: none"><li>• Dicht alle ongebruikte PV-ingangen af met pluggen.</li></ul>

Controleer het volgende voordat je PV-strings aansluit op de omvormer:

- Zorg ervoor dat de open spanning van de PV-strings niet hoger is dan 950 V. Bij overtreding van deze voorwaarde vervalt de garantie.
- Controleer of de polariteit van de PV-connectoren juist is.
- Zorg dat de PV-schakelaar uit staat.
- Zorg dat de aardweerstand bij de PV-uitgang hoger is dan 200 K $\Omega$

De omvormer maakt gebruik van MC4 PV-connectoren. Volg de onderstaande afbeelding om de PV-connectoren te monteren. Eisen aan de doorsnede van PV-kabels: 4~6 mm<sup>2</sup>



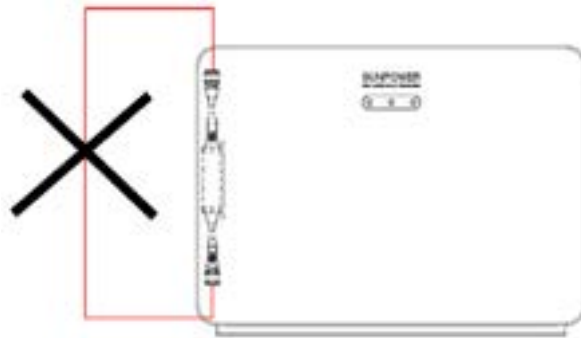
## 6.5 Elektrische verbinding tussen batterijen



Levensgevaar door brandwonden ten gevolg van vlambogen door kortsluitstroom.

Kortsluitstroom in de batterij kan opwarming en vlambogen veroorzaken. Warmteontwikkeling en vlambogen kunnen leiden tot dodelijk letsel door verbranding.

- Ontkoppel de batterij van alle spanningsbronnen voordat u werkzaamheden aan de batterij uitvoert.
- De bovenste connector van de onderste batterij is verbonden met de onderste connector van de bovenste batterij, anders ontstaat er kortsluiting in de batterij.
- Neem de veiligheidsinformatie over de batterij in de Veiligheids- en Installatie-instructies in acht.



Er is een specifieke volgorde waarop kabels door de kabelopeningen van de batterij en batterijbasis moeten worden geleid. Haal eerst de BAT-voedingskabel, vervolgens de communicatiekabel van de batterij eronder en tot slot de aardingskabel door de kabelopeningen.

Let op de soorten batterijkabels

Nr.	Afbeelding	Beschrijving
1		De zwarte, bij de batterij geleverde voedingskabel verbindt de bovenste voedingsconnector (plus) van de onderste batterij met de onderste voedingsconnector (-) van de bovenste batterij.
2		De korte, bij de batterij geleverde aardingskabel verbindt de aardingspunten van aangrenzende batterijen.
3		De bij de omvormer geleverde, middellange zwarte voedingskabel verbindt de onderste voedingsconnector (-) van de onderste batterij van de eerste kolom van de batterijserie met de bovenste voedingsconnector (+) van de bovenste batterij van de tweede kolom van de batterijserie.
4		De bij de omvormer geleverde batterijcommunicatiekabel verbindt de onderste communicatieconnector van de onderste batterij van de eerste kolom van de batterijserie met de bovenste communicatieconnector van de bovenste batterij van de tweede kolom van de batterijserie.

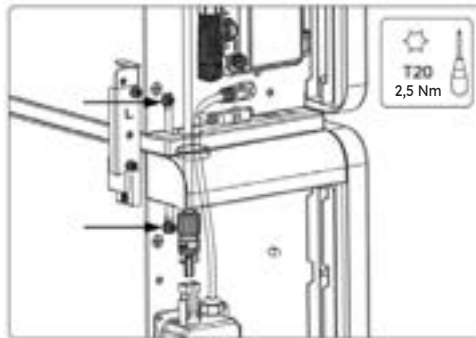
5



De lange aardingskabel die door de omvormer wordt geleverd, verbindt het aardingspunt van de onderste batterij van de eerste kolomserie met het aardingspunt van de onderste batterij (of de bovenste batterij) van de tweede kolomserie.

Instructies voor het aansluiten van de aardingskabel tussen de aangrenzende batterijen:

1. Draai de M5-schroeven op de aardingspunten los.
2. Verbind de aardingspunten van aangrenzende batterijen met M5-schroeven.

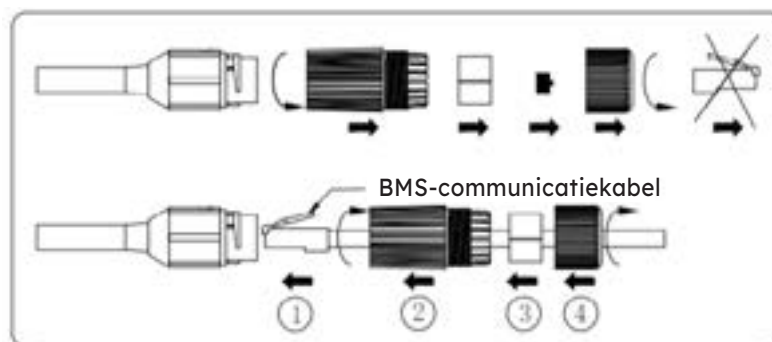


Instructies voor het aansluiten van voedingskabels tussen aangrenzende batterijen:

1. Verbind de bovenste voedingsconnector (plus) van de onderste batterij met de onderste voedingsconnector (min) van de bovenste batterij met behulp van de meegeleverde BAT-voedingskabel. Let hierbij op het label aan het kabeluiteinde.

Instructies voor de communicatieverbinding tussen aangrenzende batterijen:

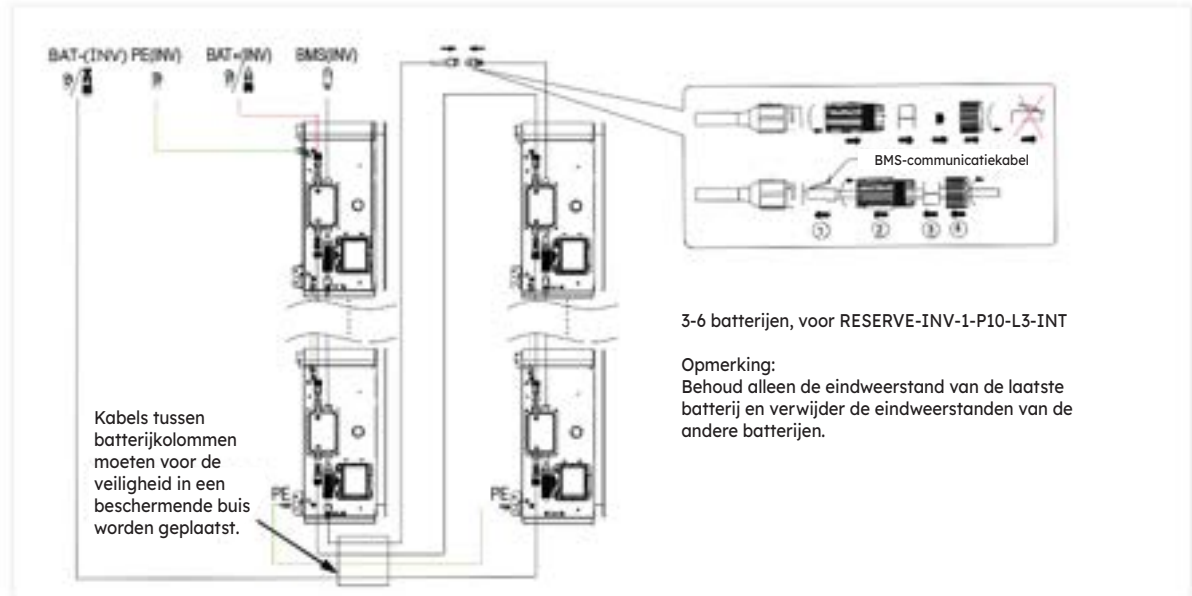
1. Neem de communicatieconnector aan de linkeronderkant van de batterij en demonteer hem. Draai de wartelmoer uit de draadhuls en verwijder de afdichtring, rubberen plug en eindweerstand. Laat de eindweerstand van de laatste batterij zitten.
2. Steek de wartelmoer en draadhuls over de communicatiekabel van de batterij eronder. Steek de RJ45-stekker in de RJ45-aansluiting, draai de draadhuls aan, steek de kabel er vanaf de zijspitsing van de afdichtring in, duw de afdichtring naar het einde van de draadhuls en draai de wartelmoer tot slot vast.



Als er twee batterijkolommen zijn, moet je nog een elektrische verbinding tot stand brengen. Pak de bij de omvormer geleverde aardingskabel, voedingskabel en communicatiekabel. Breng een elektrische verbinding tot stand tussen de onderste batterij van de eerste batterijkolom en de bovenste batterij van de tweede batterijkolom. Raadpleeg dit onderdeel en het systeembedradingschema op de volgende pagina voor gedetailleerde installatie-informatie.

## 6.6 Elektrische aansluiting tussen omvormer en RESERVE-BAT-1-DC-4-INT

Een typisch systeembedradingschema voor omvormer en RESERVE-BAT-1-DC-4-INT-batterijen (max. 6) is als volgt:



Er is een specifieke volgorde om kabels door de kabelopeningen van de linkerhandgreep van de batterij en de omvormer basis te halen. Haal eerst de BAT-netvoedingskabel (plus), vervolgens de communicatiekabel van de batterij eronder en tot slot de aardingskabel door de kabelopeningen.

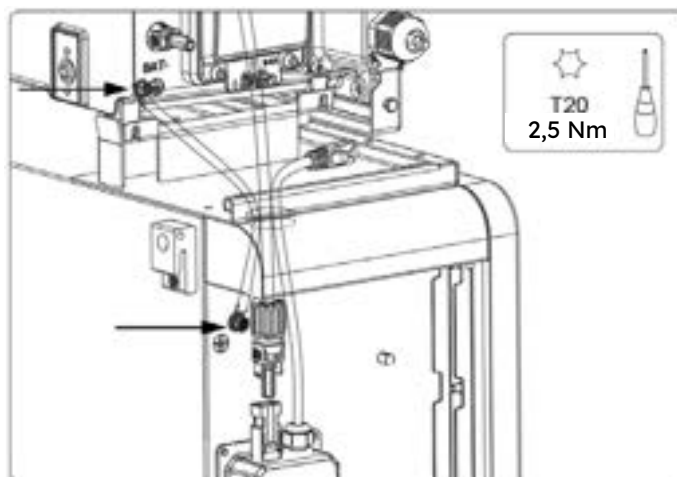
Let op het kabeltype; er zijn drie soorten kabels.

Nr.	Afbeelding	Beschrijving
1		Gebruik de rode voedingskabel om de BAT-netvoedingskabel (plus) van de batterij en de BAT-kabel (plus) van de omvormer te verbinden.
2		De langste, zwarte voedingskabel verbindt de BAT-netvoedingskabel (min) van de batterij met de BAT-kabel (min) van de omvormer.
3		De aardingskabel verbindt het aardingspunt van de omvormer met het aardingspunt van de eerste batterij.

## 6.6.1 Aardingsverbinding tussen OMV en eerste BAT

Aansluitinstructies voor aardingskabels:

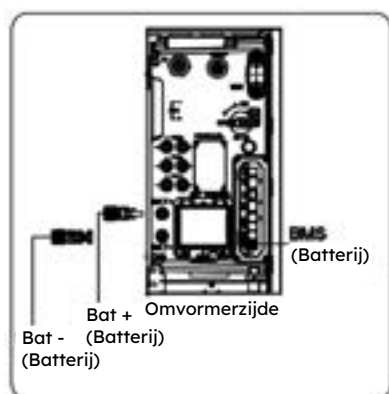
1. Draai de M5-schroeven op de aardingspunten los.
2. Verbind het aardingspunt van de omvormer met het aardingspunt van de eerste batterij met behulp van twee M5-schroeven (gereedschap: T20-schroevendraaier, koppel: 2,5 Nm).



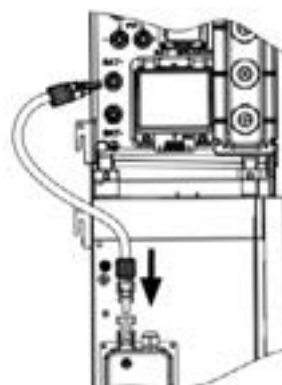
## 6.6.2 Elektrische verbinding tussen OMV en BAT

Instructies voor het aansluiten van de voedingskabels tussen de omvormer en batterijen:

1. Verwijder de beschermdoppen van de BAT-voedingsconnectoren van de omvormer.
2. Pak de BAT-netvoedingskabel (min), steek de voedingsconnector in de BAT min-connector van de omvormer en let hierbij op het label aan het uiteinde van de kabel. Doe hetzelfde om de BAT-netvoedingskabel (min) aan te sluiten op de onderste voedingsconnector van de laatste batterij.
3. Pak de BAT-netvoedingskabel (plus), steek de voedingsconnector in de BAT plus-connector van de omvormer en let hierbij op het label aan het uiteinde van de kabel. Doe hetzelfde om de BAT-netvoedingskabel (plus) aan te sluiten op de bovenste voedingsconnector van de eerste batterij.



Omvormerzijde

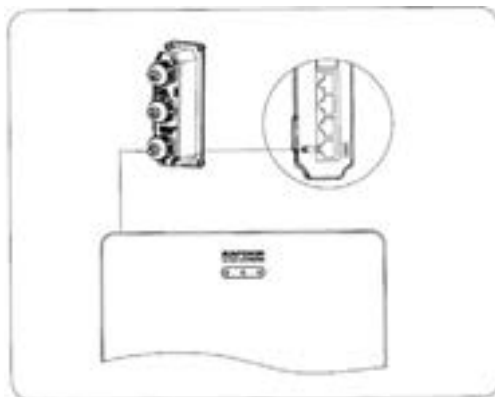


Positieve verbinding tussen 1e  
BAT en OMV

### 6.6.3 Communicatieverbinding tussen OMV en BAT

Instructies voor aansluiting van communicatiekabels tussen de omvormer en batterij:

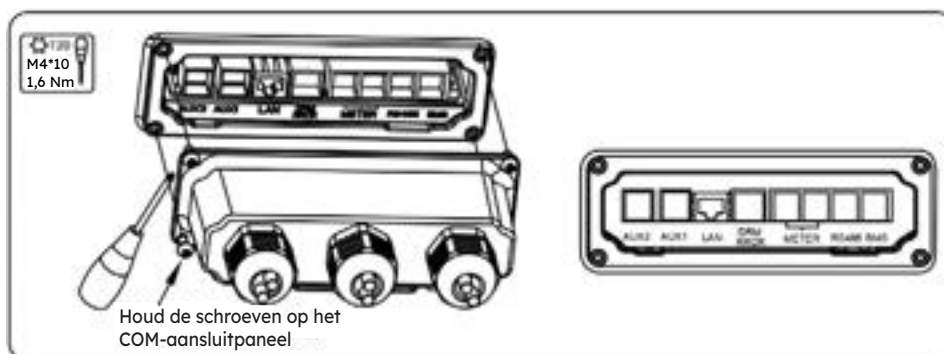
1. Haal de communicatiekabel van de eerste batterij door de kabelwartel van het COM-aansluitpaneel van de omvormer. Draai de trekcontlastingsmoer van de kabelwartel niet vast.
2. Steek de RJ45-stekker in de BMS-communicatiepoort van de omvormer.



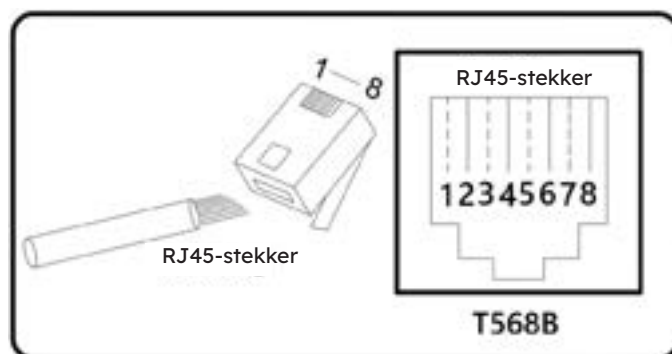
## 6.7 Andere communicatieaansluitingen met omvormer

Volg onderstaande stappen om andere communicatiekabels (AUX2, AUX1, LAN, RRCR en DRM, meter, RS485) aan te sluiten.

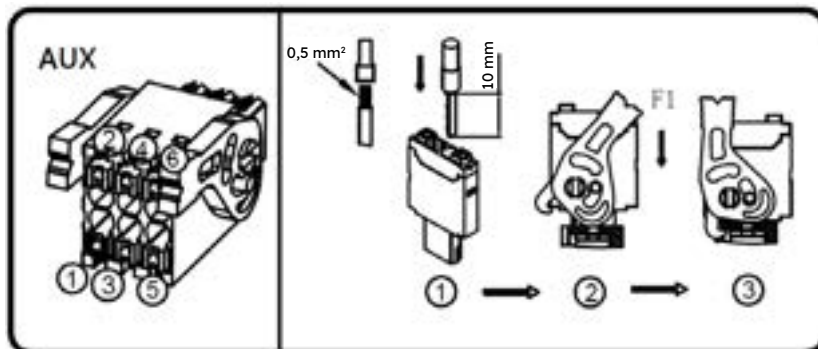
1. Draai de kabelwartels op het COM-aansluitpaneel van de omvormer los en draai vervolgens de 4 schroeven op het COM-aansluitpaneel los.



2. Haal de communicatiekabels door de kabelwartels van het COM-aansluitpaneel. Draai de trekcontlastingsmoeren van de kabelwartels nog niet vast. Steek de RJ45-stekkers in de betreffende RJ45-aansluitingen.



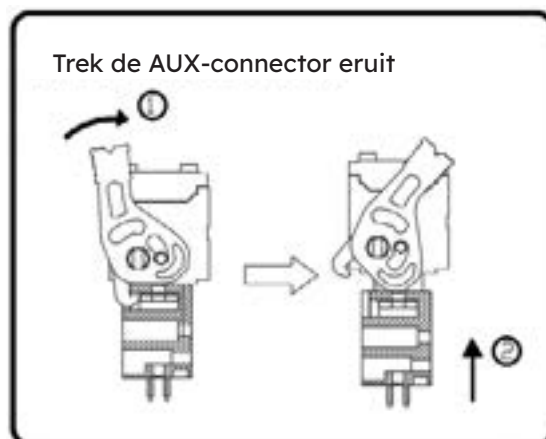
3. Zie voor meterbedrading onderdeel 6.3.4.1.
4. Als DRM-ondersteuning is gespecificeerd, mag het systeem alleen worden gebruikt in combinatie met een Demand Response Enabling Device (DRED). Dit zorgt ervoor dat het systeem altijd de opdrachten van de netbeheerder voor beperking van het actieve vermogen uitvoert. Het systeem en het Demand Response Enabling Device (DRED) moeten op hetzelfde netwerk zijn aangesloten. Alleen DRM0 is beschikbaar voor RESERVE-omvormer.
5. Pak 1 AUX-aansluitblok met 6 posities. Raadpleeg de AUX-bedradingsdocumentatie voor de definitie van AUX-posities.



In een noodsituatie, bijvoorbeeld bij brand, kan de eindgebruiker handmatig op de EPO (Emergency Power Off)-knop drukken om de omvormer en de batterij (behalve het PV-raster) uit te schakelen. Eindgebruikers of de installateur moeten de externe EPO voorbereiden.

Vereisten voor AUX-kabels: afgeschermd koperen buitenkabel (flexibel), aanbevolen diameter van geleider 0,5 mm<sup>2</sup>, geleideruiteinden moeten zijn voorzien van adereindhulzen.

Om de AUX-aansluiting los te koppelen, draai je de handgrepen aan beide zijden met de klok mee, ontkoppel je de AUX-connector, plaats je een schroevendraaier (bladbreedte: 1,2 mm) in de relatieve aansluitpositie en ontkoppel je de geleider.





- Plaats het COM-aansluitpaneel tegen de behuizing van de omvormer en draai de 4 schroeven vast. Wanneer je het paneel over de communicatiepoorten bevestigt, moet je het paneel goed vastzetten en de communicatiekabels lichtjes in het paneel duwen terwijl je de trekontlastingsmoeren op de kabels vastdraait. De communicatiekabels blijven dan goed in de RJ45-poorten zitten.

De pindefinitie van de communicatiepoorten:

Poort	Pinnummers							
BMS	1	2	3	4	5	6	7	8
	/	RS485_ A4	/	CAN1_H	CAN1_L	/	RS485_ B4	/
RS485	1	2	3	4	5	6	7	8
	12 V	DEBUG_ RXD_ COM	GND	RS485_ B5	RS485_ B5	/	DEBUG_ TXD_ COM	/
METER	1	2	3	4	5	6	7	8
	/	/	RS485_ A7	/	/	RS485_ B7	/	/
DRM	1	2	3	4	5	6	7	8
	DRED 1/5	DRED 2/6	DRED 3/7	DRED 4/8	REF GEN/0	COM LOAD/0	/	/
RRCR	1	2	3	4	5	6		
	K1	K2	K3	K4	3,3 V	/		
AUX1	1	2	3	4	5	6		
	DO1_NO	DO1_ COM	DO1_NC	DI_ negative	DI_ positive	GND		
AUX2	1	2	3	4	5	6		
	DO2_ NO	DO2_ COM	DO2_NC	DI_ negative	DI_ positive	GND		

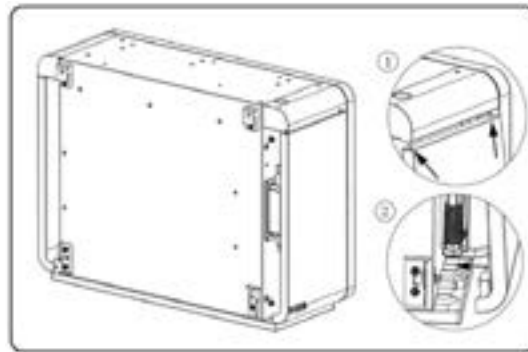
## 6.8 De panelen van de omvormer en batterij monteren

Zorg dat alle bedrading veilig is en het systeem normaal werkt, en monteer dan de panelen van de omvormer en de batterij.

## 6.8.1 De zijplaten van de batterij monteren

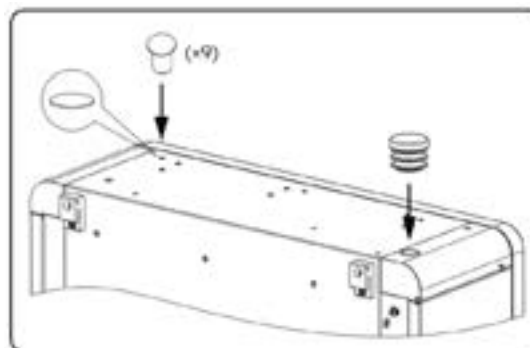
De zijplaten van de batterij monteren

1. Pak de linker- en de rechterzijplaat.
2. Lijn de linkerzijplaat zo uit dat de twee gaten aan de bovenrand van de linkerzijplaat naar de verhoogde pinnen aan de onderkant van de linkerhandgreep wijzen, en duw vervolgens het onderste deel van de linkerzijplaat naar de batterijbehuizing totdat je een klik hoort. Voer dezelfde stappen uit om de rechterzijplaat te monteren.



## 6.8.2 De siliconenplug en kunststof gesp bovenop de batterij monteren

Als de tweede kolom van de batterijserie is geïnstalleerd, plaats dan de siliconenpluggen en kunststof gesp op de daarvoor bestemde gaten zodat de bovenkant van de batterij er netter uitziet.



## 6.8.3 De panelen van de omvormer monteren

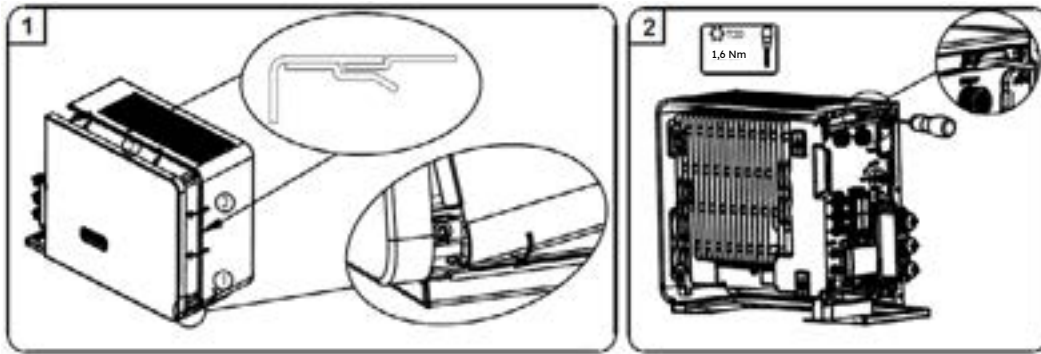


**TIP**

Het serienummer en de controlecode van de omvormer bevinden zich aan de rechterkant van de omvormer. Zorg ervoor dat je ze hebt genoteerd voordat je deze kap installeert.

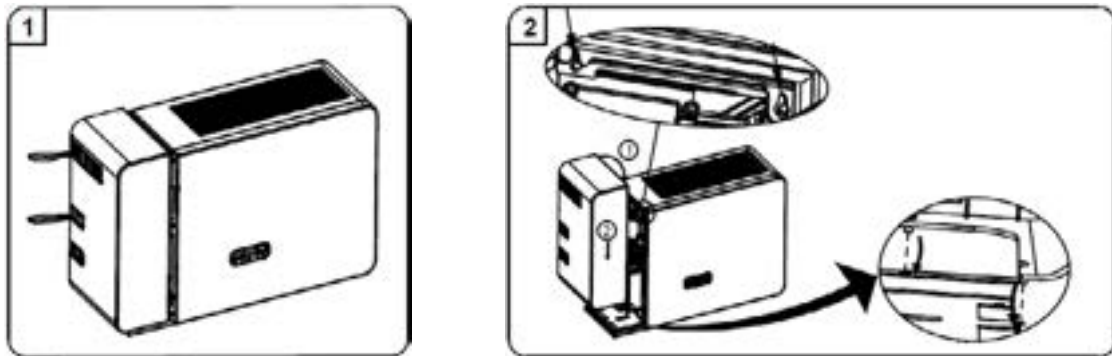
Bevestig het zijpaneel op de omvormer.

1. Pak het zijpaneel.
2. Steek de rechteronderkant van het zijpaneel in de sleuf op de basis van de omvormer, duw de voorste rand van het zijpaneel naar de rand van het voorpaneel van de omvormer totdat de twee schroeven aan de zijkant van het zijpaneel op één lijn zitten met de montageschroefgaten van de omvormer, en zet ze vast (gereedschap: T20-schroevendraaier, koppel: 1,6 Nm).



Bevestig de kabelafdekking op de omvormer.

1. Neem de kabelafdekking.
2. Plaats de kabelafdekking tegen de linkerzijde van de omvormer. Maak kabelopeningen op basis van de PV- en AC-kabelgeleiding en voer de kabels door de kabelopeningen.
3. Lijn de gaten aan de rechterzijde van de kabelafdekking uit met de haken aan de linkerzijde van het voorpaneel van de omvormer. Druk de kabelafdekking omlaag langs de rand van het voorpaneel.



## 7.0 Opstart- en uitschakelprocedure

### 7.1 Opstartprocedure

1. Schakel de BATTERIJSYSTEEMISOLATOR IN die zich linksonder op de omvormer bevindt.
2. Schakel de BATTERIJ-LASTSCHEIDERS van alle batterijen IN die zich linksonder op de batterijen bevinden.
3. Schakel de AC-NETVOEDING naar de omvormer IN.
4. Schakel de AC-BACK-UPVOEDING van de omvormer IN (indien geïnstalleerd).
5. Schakel de PV-schakelaar tussen de PV-strings en de omvormer (indien aanwezig) IN.
6. Schakel de PV-ISOLATOR aan de linkerzijde van de omvormer direct onder de wifi-poort IN als de PV-rasters direct op de omvormer worden aangesloten.
7. Schakel de AC-lastscheider tussen de PV-omvormer en het net (indien aanwezig) IN.

### 7.2 Uitschakelprocedure



Nadat het energieopslagsysteem is uitgeschakeld, kunnen de resterende elektriciteit en warmte nog steeds elektrische schokken en brandwonden veroorzaken. Trek daarom beschermende handschoenen aan en wacht 5 minuten na het uitschakelen op het product.

1. Zet de wisselschakelaar op MAINS om belastingen te voeden vanuit het NET, indien geïnstalleerd.
2. Schakel de AC-BACK-UPVOEDING van de omvormer UIT (indien geïnstalleerd).
3. Schakel de PV-schakelaar tussen de PV-strings en de omvormer UIT (indien aanwezig).
4. Schakel de PV-ISOLATOR aan de linkerzijde van de omvormer direct onder de wifi-poort UIT als de PV-rasters direct op de omvormer worden aangesloten.
5. Schakel de BATTERIJ-LASTSCHEIDERS van alle batterijen UIT die zich linksonder op de batterijen bevinden.
6. Schakel de BATTERIJSYSTEEMISOLATOR UIT die zich linksonder op de omvormer bevindt.
7. Schakel de AC-NETVOEDING naar de omvormer UIT.
8. Schakel de AC-lastscheider tussen de PV-omvormer en het net (indien aanwezig) UIT.

### 7.3 Controles voor het opstarten

Nr.	Controle-item	Aanvaardingscriteria
1	Montageomgeving	De montageruimte is toereikend en de montageomgeving is schoon en netjes, zonder vreemde voorwerpen.
2	Montage van batterij-eenheid en omvormer	De batterij-eenheid en de omvormer zijn correct, stevig en betrouwbaar gemonteerd.
3	Wifi-montage	De wifi-module is correct, stevig en betrouwbaar gemonteerd.
4	Kabelindeling	Kabels worden op de juiste manier geleid, zoals vereist door de klant.
5	Kabelbinder	Kabelbinders zijn gelijkmatig bevestigd en er is geen braam.
6	Aarding	De aardkabel is correct, stevig en betrouwbaar aangesloten.
7	Status van schakelaars en lastscheiders	De PV-schakelaar (indien aanwezig) en batterij-lastscheiders en alle lastscheiders die op het product zijn aangesloten, zijn UIT.
8	Kabelaansluitingen	De AC-kabels, PV-kabels (indien aanwezig), batterijstroomkabels en communicatiekabels zijn correct, stevig en betrouwbaar aangesloten.
9	Ongebruikte voedingsaansluitingen	Ongebruikte voedingspoorten en communicatiepoorten worden geblokkeerd door waterdichte kappen.

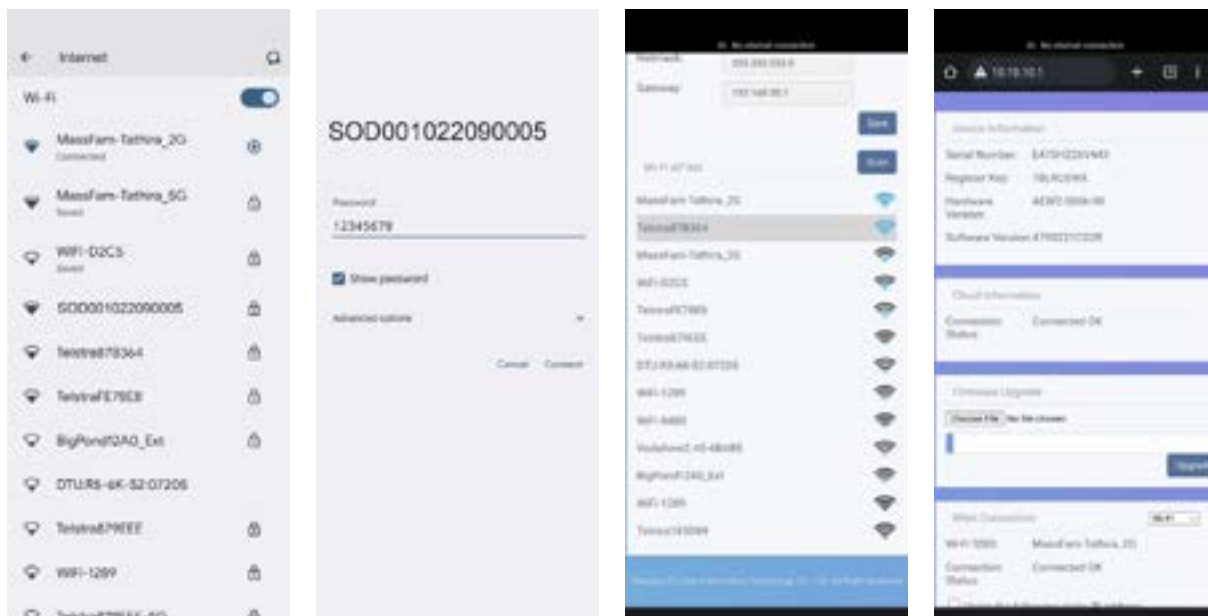
## 8.0 Een nieuw systeem configureren (inbedrijfstelling)

### 8.1 Reserve op internet aansluiten

Om het inbedrijfstellingsproces voor de onlangs geïnstalleerde SunPower Reserve te starten, is het essentieel om een functionele gegevensverbinding tot stand te brengen, die ook nodig is voor doorlopend monitoren. De SunPower Reserve biedt twee methoden van gegevensverbinding: ethernet en wifi.

Als je voor een ethernetverbinding kiest, is er geen extra configuratie nodig. Als je echter de voorkeur geeft aan een wifi-verbinding, volg dan de volgende stappen om het systeem te verbinden met het wifi-netwerk van de huiseigenaar:

1. Ga op je mobiele apparaat naar de wifi-instellingen en zoek het wifi-netwerk dat is gekoppeld aan de SunPower Reserve-eenheid. Dit netwerk is te herkennen aan het serienummer van het apparaat.
2. Maak verbinding met het netwerk van de Reserve-eenheid met het standaardwachtwoord: 12345678.
3. Zodra je verbinding hebt gemaakt, open je de mobiele browser en voer je het IP-adres van de SunPower Reserve in: 10.10.10.1. Deze actie toont een eenvoudige interface waarmee de Reserve-eenheid verbinding kan maken met het wifi-netwerk op de locatie.
4. Tik op de optie 'scan' onderaan het scherm om naar beschikbare netwerken te zoeken.
5. Selecteer in de lijst met weergegeven netwerken het gewenste netwerk waarmee de Reserve-eenheid verbinding moet maken en voer het bijbehorende wifi-wachtwoord in.
6. Zodra de verbinding met succes tot stand is gebracht, geeft de interface een bevestigingsbericht met de tekst "Connected OK".



Door deze instructies te volgen, kan de SunPower Reserve effectief worden aangesloten en geconfigureerd voor gebruik.

Als om de een of andere reden de internetverbinding van de SunPower Reserve is verbroken, bijvoorbeeld als de klant het wifi-wachtwoord verandert, kunnen klanten met de bovenstaande stappen ook de internetverbinding van de SunPower Reserve resetten.

## 8.2 De SunPower One-app downloaden en installeren

1. Gebruikers van Android-apparaten kunnen de SunPower One-app downloaden van Google Play.
2. Gebruikers van iOS-apparaten kunnen de SunPower One-app downloaden in de Appstore.



**TIP**

Hulpmiddelen voor inbedrijfstelling, inclusief inloggegevens, zijn alleen beschikbaar voor installateurs die de benodigde trainingsmodules hebben gevolgd.

## 8.3 Het systeem inschakelen en de systeemstatus controleren

Zorg ervoor dat de PV-schakelaar en batterij-lastscheiders en alle lastscheiders die op het product zijn aangesloten AAN staan.

## 8.4 Inbedrijfstelling SunPower Reserve

Controleer voordat je begint of het Reserve-systeem correct is geïnstalleerd en of de gegevensverbinding goed werkt.

Hieronder vind je een samenvatting van de stappen die moeten worden doorlopen om de SunPower Reserve in bedrijf te stellen. Raadpleeg de volgende instructies:

1. Start de SunPower One-app en log in met je SunPower One-gebruikersnaam (e-mailadres) en wachtwoord.
2. Tik in het beginscherm op 'Start' om het inbedrijfstellingsproces voor een nieuw systeem te starten.
3. Voer op het volgende scherm het e-mailadres in van de klant voor wie je het systeem installeert. Deze e-mail wordt gebruikt om het klantaccount dat nodig is om in te loggen op de SunPower One-app te configureren. Het is cruciaal om de juistheid van het e-mailadres te verifiëren met de klant en ervoor te zorgen dat ze toegang hebben tot hun e-mail op hun mobiele apparaat.
4. Selecteer de juiste systeemconfiguratie zoals beschreven in onderdeel 3.3 en volg de stappen van de app om de activering en configuratie van je installatie te voltooien.
5. Nadat het instellen van de Reserve is voltooid, wordt er een bevestigingsmail naar de klant gestuurd. Deze e-mail bevat een link naar de SunPower One-app, waar de klant het SunPower One-account kan activeren en kan genieten van de uitgebreide SunPower One-ervaring.

Volg de bovenstaande stappen om het SunPower Reserve-systeem effectief in bedrijf te stellen.



**LET OP**

De veiligheidsnorm/landcode moet correct zijn ingesteld.

Als je een veiligheidsnorm selecteert die niet geldig is voor jouw land en doel, kan dit een storing veroorzaken in het energieopslagsysteem en leiden tot problemen met de netbeheerder. Bij het kiezen van de veiligheidsnorm moet je altijd rekening houden met de lokaal geldende normen en richtlijnen en de eigenschappen van het PV-systeem (bijv. grootte van het PV-systeem, aansluitpunt op het elektriciteitsnet). Als je niet zeker weet welke veiligheidsnorm geldig is voor jouw land of doel, neem dan contact op met je netbeheerder voor informatie over welke veiligheidsnorm geconfigureerd moet worden.



**TIP**

In stap 4 van het inbedrijfstelling proces veranderen de beschikbare parameters afhankelijk van de gekozen configuratie. Het is belangrijk om in dit stadium te controleren of de waarden juist zijn.

## 8.5 AC-back-up controleren (indien beschikbaar)

Schakel een elektrisch apparaat AAN dat is aangesloten op de back-up-belastingpoort van de energieopslagomvormer.

Schakel de AC-lastscheider op de back-up-poort van de energieopslagomvormer in.

Schakel de externe AC-lastscheider tussen het elektriciteitsnet en de energieopslagomvormer UIT.

Het product gaat meteen naar de modus AC-backup.

Controleer of het elektrische apparaat aan de back-up-zijde blijft werken.



**LET OP**

Als tijdens de inbedrijfstelling de ledlampjes op het display van de omvormer rood branden of de ledlampjes op het display van de batterij geel branden, raadpleeg dan het onderdeel over probleemoplossing (9.0).

## 8.6 Eindgebruiker instrueren om SunPower One-app te installeren

Controleer of de huiseigenaar de app heeft gedownload en het account heeft geactiveerd via de welkomstmail.



**TIP**

De registratie voor de SunPower Reserve-garantie is voltooid wanneer de de eindklant zijn klantaccount heeft geactiveerd.

## 9.0 Onderhoud en probleemoplossing

### 9.1 Regulier onderhoud

Het energieopslagsysteem heeft geen onderhoud of kalibratie nodig.

Om te zorgen dat de SOC nauwkeurig blijft, is het aan te bevelen om de batterij elke twee weken volledig op te laden. Als dat niet gebeurt, kan de SOC namelijk onnauwkeurig worden.

Zorg er vóór het reinigen voor dat er geen enkele vorm van stroom op het systeem staat. Maak de behuizing, het paneel en het display schoon met een zachte doek.

Om ervoor te zorgen dat het energieopslagsysteem op de lange termijn goed blijft werken, raden we aan om routineonderhoud uit te voeren zoals beschreven in dit onderdeel.

#### Controlelijst voor onderhoud

Controle-item	Aanvaardingscriteria	Onderhoudsinterval
Reinheid van het product	De behuizing van de omvormer moet vrij zijn van obstakels en stof.	Eens per 6 tot 12 maanden
Zichtbare schade aan product	Het product mag niet beschadigd of vervormd zijn.	Eens per 6 tot 12 maanden
Werkingsstatus product	<ol style="list-style-type: none"><li>1. Het product moet bij gebruik geen abnormale geluiden maken.</li><li>2. Alle parameters van het product moeten correct zijn ingesteld. Voer deze controle uit als het product in werking is.</li></ol>	Eens per 6 tot 12 maanden
Elektrische aansluitingen	<ol style="list-style-type: none"><li>1. Kabels moeten stevig zijn aangesloten.</li><li>2. Kabels moeten intact zijn; er mogen met name geen krassen zitten op kabel omhulselhulsels die in aanraking komen met het metalen oppervlak.</li><li>3. Ongebruikte kabelwartels moeten worden geblokkeerd met rubberen pluggen die stevig op hun plaats worden gehouden door drukdoppen.</li></ol>	<p>Voer het eerste onderhoud 6 maanden na de eerste inbedrijfstelling uit.</p> <p>Voer het onderhoud daarna eens per 6 tot 12 maanden uit.</p>





Verbrandingsgevaar door hete behuizing van de omvormer

De behuizing van de omvormer kan tijdens bedrijf heet worden.

- Raak tijdens bedrijf geen andere onderdelen dan het display aan.
- Laat de omvormer circa 30 minuten afkoelen voordat je hem schoonmaakt.

## 9.2 Probleemoplossing

Om de nauwkeurigheid van de SOC te handhaven, kan het nodig zijn om de batterij volledig op te laden. Hierdoor wordt de SOC van de batterij gereset.

### 9.2.1 Foutopsporing omvormer

De foutcodes kunnen worden geraadpleegd op het SunPower-portaal voor installateurs.

Fout nr.:	Foutbeschrijving	Oplossing
4	Inverter_lost	Communicatie met omvormer verbroken <ol style="list-style-type: none"><li>1. Start het systeem opnieuw op en controleer of de fout is verholpen.</li><li>2. Neem contact op met de klantenservice om het EMS- en DSP-programma van de omvormer op afstand bij te werken, en controleer daarna of de fout zich blijft voordoen.</li><li>3. Neem als het probleem niet kan worden verholpen contact op met de klantenservice voor verdere controles.</li></ol>
100000	Grid_OVP	<ol style="list-style-type: none"><li>1. Controleer of net abnormaal is.</li></ol>
100001	Grid_UVP	<ol style="list-style-type: none"><li>2. Controleer of de aansluiting van de netkabel normaal is.</li></ol>
100002	Grid_OFP	<ol style="list-style-type: none"><li>3. Start de omvormer opnieuw op en controleer of de fout zich nog steeds voordoet.</li></ol>
100003	Grid_UFP	
100005	BUS_OVP1	Controleer of de ingangsspanning van PV1, PV2 en PV3 hoger is dan 1000 V. Als er geen spanning staat op PV1, start je de omvormer opnieuw om te zien of de fout zich nog steeds voordoet. Bel als het probleem aanhoudt de klantenservice.
100007	Isolatie_fout	<ol style="list-style-type: none"><li>1. Controleer of de aansluiting van de PV-kabel betrouwbaar is.</li><li>2. Controleer of de PV-kabel beschadigd is.</li></ol>
100008	GFCI_fault	<ol style="list-style-type: none"><li>1. Start de omvormer opnieuw op en controleer of de fout zich nog steeds voordoet.</li></ol>
100010	GFCI_fault	
100011	Over_Temperature	<ol style="list-style-type: none"><li>1. Controleer of de omgeving rond de omvormer een slechte warmteafvoer heeft.</li><li>2. Controleer of de installatie van de omvormer voldoet aan de installatievereisten.</li></ol>

100012	PV_Reverse	<ol style="list-style-type: none"> <li>1. Controleer of de PV-aansluiting van de omvormer is omgekeerd.</li> <li>2. Bel als de PV-aansluiting juist is de klantenservice.</li> </ol>
100013	BAT_Reverse	<ol style="list-style-type: none"> <li>1. Controleer of de PV-aansluiting van de omvormer is omgekeerd.</li> <li>2. Bel als de PV-aansluiting juist is de klantenservice.</li> </ol>
100017	MPPT1_OVP	Controleer de spanning van PV1. Als deze hoger is dan 1000 V DC, verminder dan het aantal PV-modules.
100021	MPPT2_OVP	Controleer de spanning van PV2. Als deze hoger is dan 1000 V, verminder dan het aantal PV-modules.
100025	BAT_OVP	Controleer of de werkelijke batterijspanning meer dan 20 V hoger is dan de uitschakelspanning voor het opladen van de batterij.
100026	BAT_UVP	Controleer of de werkelijke batterijspanning lager is dan de afsluitspanning voor het ontladen van de batterij.
100027	Battery_lost	Controleer of de bedrading normaal is en of de meetwaarde van de batterijspanning lager is dan 75 V.

Fout nr.:	Foutbeschrijving	Oplossing
100042	Output_short_circuit	<ol style="list-style-type: none"> <li>1. Gebruik een multimeter om de impedantie van de niet aan het net gekoppelde uitgang te testen. Als het klein is, controleer dan of de bedrading correct is.</li> <li>2. Start de omvormer opnieuw op om te zien of de fout zich nog steeds voordoet. Bel als het probleem aanhoudt de klantenservice.</li> </ol>
100043	Output_overload	Controleer of de belasting het nominale vermogen overschrijdt. Start de omvormer opnieuw op om te zien of de fout zich nog steeds voordoet. Bel als het probleem aanhoudt de klantenservice.
100052	Backup_ovp	Start de omvormer opnieuw op om te zien of de fout zich nog steeds voordoet. Bel als het probleem aanhoudt de klantenservice.
7	BMS lost	<p>BMS lost</p> <ol style="list-style-type: none"> <li>1. Controleer of de BMS-communicatieaansluiting tussen de batterij en de omvormer normaal is.</li> <li>2. Controleer of de batterij is ingeschakeld.</li> <li>3. Neem als het probleem niet kan worden verholpen contact op met de klantenservice voor verdere controles.</li> </ol>
60002	Circuit_Breaker_Open	Probeer alle batterij lastscheiders in te schakelen. Neem als het probleem hiermee niet verholpen is contact op met de klantenservice.

60004	Slave_Battery_Communication_Lost	
60006	Master_Battery_Communication_Lost	Controleer de communicatiekabels tussen batterijen
60008	Multi_Master_error	
5	Geen lezing energiemeter aan netzijde	<p>Meteruitval aan netzijde</p> <ol style="list-style-type: none"> <li>1. Controleer of de configuratieparameters van het systeem juist zijn en of de meter aan de netzijde wordt gebruikt.</li> <li>2. Controleer of de communicatiekabel van de netmeter correct is aangesloten (RS485: 3A6B).</li> <li>3. Controleer of de communicatieconfiguratieparameters van de netmeter correct zijn (communicatieadres en baudrate).</li> <li>4. Neem als het probleem niet kan worden verholpen contact op met de klantenservice voor verdere controles.</li> </ol>
6	Geen lezing energiemeter aan PV-zijde	<p>Meter aan zijde van PV-omvormer uitgevallen</p> <ol style="list-style-type: none"> <li>1. Controleer of de configuratieparameters van het systeem juist zijn en of de meter wordt gebruikt aan de kant van de PV-omvormer.</li> <li>2. Controleer of de communicatieconfiguratieparameters van de meter aan de kant van de PV-omvormer correct zijn (communicatieadres en baudrate). (RS485: 3A6B).</li> <li>3. Controleer of de communicatieconfiguratieparameters van de meter aan de kant van de PV-omvormer correct zijn (communicatieadres en baudrate).</li> <li>4. Neem als het probleem niet kan worden verholpen contact op met de klantenservice voor verdere controles.</li> </ol>














## 9.2.2 Foutbeschrijving omvormer















De vier ledlampjes in de bovenste rij zijn systeem (SYS), batterij (BAT), meter (METER) en communicatie (COM).

De vijf ledlampjes in de onderste rij zijn verdeeld in twee functies:

SOC van alle batterijen in het energieopslagsysteem

Als er een fout optreedt, wordt de bijbehorende foutcode weergegeven. Van rechts naar links zijn de getallen die door elk lampje worden vertegenwoordigd 1, 2, 4, 8, 16.

Ledlampje	Foutcode	Led-display	Beschrijving
Rode SYS-lampje knippert snel	4		1. Inverter lost
Het rode SYS-lampje is AAN; het METER-lampje knippert snel als de netmeter is uitgevallen. Het rode SYS-lampje is AAN.	5		Grid meter lost
METER-lampje knippert langzaam als PV-meter is uitgevallen; METER-lampje is UIT als alle meters zijn uitgevallen.	6		PV meter lost
Rood SYS-lampje is AAN, bat is uit	7		1. BMS lost
Omvormer is defect, rood SYS-lampje knippert snel	100000		Grid_OVP
Omvormer is defect, rood SYS-lampje knippert snel	100001		Grid_UVP
	100002		Grid_OFP
	100003		Grid_UFP
Omvormer is defect, rood SYS-lampje knippert snel	100005		BUS_OVP1
	100007		Isolatie_fout
	100008		GFCI_fault
	100010		Grid_relay_fault
	100011		Over_Temperature

	100012		PV_Reverse
	100013		BAT_Reverse
	100017		MPPT1_OVP
	100021		MPPT2_OVP
Omvormer is defect, rood SYS-lampje knippert snel	100025		BAT_OVP
	100026		BAT_UVP
	100027		Battery_lose
	100042		Output_short_circuit
	100043		Output_overload
	100052		Backup_ovp
Rood SYS-lampje is AAN, BAT-lampje knippert als de batterij defect is.	60002		Circuit_Breaker_ OpenCircuit Breaker_ Open
	60004		Slave_Battery_ Communication_Lost
	60006		Master_Battery_ Communication_Lost
Rode SYS-lampje is AAN, BAT-lampje knippert als de batterij defect is	60008		Multi_Master_error




1. De vier ledlampjes in de eerste rij zijn systeem (SYS), batterij (BAT), meter (METER) en communicatie (COM).
2. De vijf ledlampjes in de tweede rij zijn verdeeld in twee functies:
  - Weergave SOC-vermogen batterij
  - Als er een storing optreedt, wordt de bijbehorende storingscode weergegeven.

## 9.2.3 Beschrijving batterijbeveiliging

De drie ledlampjes op het voorpaneel geven informatie over de beschermingsstatus van de batterij.

Symbol	Beschrijving
	Geel ledlampje knippert
	Geel ledlampje brandt
	Ledlampje uit


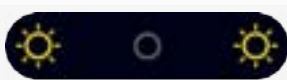






Led-weergavestatus	Beschrijving	Probleemoplossing
	Temperatuurverschil	Wacht op automatisch herstel. Bel als deze beschermingstoestand aanhoudt de klantenservice.
	Hoge temperatuur	Stop met laden en ontladen totdat deze beschermingstoestand is uitgeschakeld en wacht totdat de temperatuur daalt.
	Lage temperatuur tijdens ontladen	Stop met ontladen totdat deze beschermingstoestand is uitgeschakeld en wacht totdat de temperatuur stijgt
	Overstroom tijdens opladen	Wacht op automatisch herstel.
	Overstroom tijdens ontladen	Bel als deze beschermingstoestand aanhoudt de klantenservice.
	Overspanning cel	Wacht op automatisch herstel. Bel als deze beschermingstoestand lang aanhoudt de klantenservice.
	Cel onder spanning	Stop met ontladen en bel onmiddellijk de klantenservice.
	Lage temperatuur tijdens opladen	Stop met ontladen totdat deze displaytoestand is verdwenen en wacht tot de temperatuur is gestegen.





<b>LET OP</b>	<p>Als tijdens de werkmodus de  beschermingsstatus 'Cel onder spanning' wordt weergegeven, doe dan het volgende:</p> <p>Schakel eerst de lastscheider uit die zich linksonder op de batterij bevindt, schakel de lastscheider in en wacht 3-5 sec., schakel de lastscheider uit, schakel vervolgens de lastscheider in en wacht 3-5 sec., schakel de lastscheider uit, schakel tenslotte de lastscheider van de batterij in. Het BMS wordt gedwongen de MOSFET van ontlading in te schakelen, zodat de omvormer de open spanning van de batterij kan detecteren en de batterij kan beginnen op te laden.</p>
---------------	--

## 9.2.4 Foutbeschrijving batterij

De drie ledlampjes op het voorpaneel geven informatie over de foutstatus van de batterij.

Symbol	Beschrijving
	Geel ledlampje knippert
	Geel ledlampje brandt
	Ledlampje uit

Led-weergavestatus	Beschrijving	Probleemoplossing
	Hardwarefout	Wacht op automatisch herstel.
	Hardwarefout	Bel als deze fout zich blijft voordoen de klantenservice.
	Lastscheider open	Schakel de lastscheider in nadat je de batterij hebt uitgeschakeld.
	LMU losgekoppeld (follower)	Sluit de communicatiekabel van het BMS weer aan.
	SN ontbreekt	Bel de klantenservice.
	LMU losgekoppeld (host)	Sluit de communicatiekabel van het BMS weer aan.
	Softwareversie inconsistent	Bel de klantenservice.
	Multi host	Start alle batterijen opnieuw op.

	MOS te hoge temperatuur	Schakel de batterij uit en na 30 minuten weer in.
	Isolatiefout	Start de batterij opnieuw. Bel als deze fout zich blijft voordoen de klantenservice.
	Totale spanningsfout	Start de batterij opnieuw. Bel als deze fout zich blijft voordoen de klantenservice.
	Fout vóór laden	Start de batterij opnieuw. Bel als deze fout zich blijft voordoen de klantenservice.



## 10.0 Verwijdering en retourzending

### 10.1 Het product verwijderen

Om het energieopslagsysteem aan het einde van zijn levensduur volledig buiten bedrijf te stellen, volg je procedure die in dit onderdeel wordt beschreven.

1. Schakel het energieopslagsysteem uit door de instructies in hoofdstuk 7.2 Uitschakel procedure van het systeem te volgen.
2. Verwijder de kabelafdekking van de omvormer.  
Verwijder de linkerplaten van de batterijen.
3. Wacht 30 minuten tot de behuizing van de omvormer is afgekoeld.
4. Koppel alle kabels los van het systeem, inclusief communicatiekabels, PV-voedingskabels, batterijvoedingskabels, AC-kabels en aardingskabels.
5. Verwijder de wifi-module.
6. Verwijder de zijplaat van de omvormer.
7. Verwijder de omvormer van de bovenkant van de batterij.
8. Verwijder de rechterzijplaten van de batterijen.
9. Verwijder de batterijen.
10. Als de batterijen met een voetplaat zijn gemonteerd:  
verwijder de wandverbindingsplaat van de batterij.  
verwijder de wandverbindingsplaat van de systeembasiseenheid.  
verwijder de systeembasiseenheid.
11. Verwijder eventuele muurbeugels van de batterijen.

### 10.2 Het product verpakken

Als de originele verpakking beschikbaar is, stop het product er dan in en plak deze dicht met plakband.

Als de originele verpakking niet beschikbaar is, doe het product dan in een geschikte kartonnen doos en sluit deze goed af.

### 10.3 Het product weggooien

Als de levensduur van het product is verstreken, gooi het dan weg volgens de plaatselijke afvalverwerkingsregels voor elektrische apparatuur en afval van elektronische onderdelen.

Voer de verpakking en vervangen onderdelen af volgens de regels op de plaats waar het apparaat is geïnstalleerd.

Gooi het product niet weg met het normale huisvuil.



## 11.0 Technische gegevens

### 11.1 Datasheet van de omvormer

Item	RESERVE-INV-1-P10-L3-INT
<b>Ingang DC (PV-zijde)</b>	
Aanbevolen max. PV-vermogen	20.000 W
Max. PV-ingangsspanning	1000 V
Nominale spanning	720 V
Opstartspanning	120 V
MPPT-spanningsbereik	140 tot 950 V
Max. ingangsstroom per MPPT	16 A/16 A/16 A
Max. kortsluitstroom per MPPT	24 A/24 A/24 A
MPPT-aantal	3
Overspanningscategorie volgens IEC 62109-1	II
<b>Batterij</b>	
Type batterij	LFP (LiFePO4)
Spanningsbereik batterij	160 tot 700 V
Max. laadvermogen	10 kW
Max. ontladvermogenvermogen	10 kW
Max. laad-/ontlaadstroom	40 A/40 A
Communicatie	CAN
<b>Uitgangs-AC (back-up, op net)</b>	
Nominaal uitgangsvermogen	10 kW
Nominaal schijnbaar uitgangsvermogen	10 kVA
Nominale uitgangsstroom @ 230 V	14,5 A
Max. ononderbroken uitgangsvermogen	15 kW
Max. ononderbroken schijnbaar uitgangsvermogen	15 kVA

Max. uitgangsstroom	21,7 A
Nominale uitgangsspanning	3L/N/PE, 380/400 V
Nominale frequentie	50/60 Hz
<b>Uitgang AC (back-up)</b>	
Nominaal uitgangsvermogen	10 kW
Nominaal schijnbaar uitgangsvermogen	10 kVA
Nominale uitgangsstroom @ 230 V	14,5 A
Max. ononderbroken uitgangsvermogen	11 kW
Max. ononderbroken schijnbaar uitgangsvermogen	11 kVA
Uitgangsvermogen $\leq$ 30s	15 kW
Schijnbaar uitgangsvermogen $\leq$ 30s	15 kVA
Back-up-schakeltijd	< 20 min.
Nominale spanning	3L/N/PE, 380/400 V
Nominale frequentie	50/60 Hz
<b>Ingang AC (netzijde)</b>	
Nominale uitgangsspanning	3L/N/PE, 380/400 V
Nominale netfrequentie	50/60 Hz
Nominaal ingangsvermogen	10 kW
Max. ingangsvermogen	15 kW
Max. ingangsstroom	21,7 A
<b>Uitgang AC (netzijde)</b>	
Nominaal uitgangsvermogen	10 kW
Nominaal schijnbaar uitgangsvermogen	10 kVA
Nominale uitgangsstroom @230 V	14,5 A
Werkingsfase	Driefasig
Nominale netspanning	3L/N/PE, 380/400 V

AC-spanningsbereik	150 tot 288 V
Nominale netfrequentie	50/60 Hz
Vermogensfactor	> 0,99 (0,8 leidt tot vertraging van 0,8)
Beschermingsklasse	I
Overspanningscategorie	III
Overspanningscategorie volgens IEC 60664-1	II
<b>Rendement</b>	
Max. efficiency, $\eta_{\max}$	98,0%
Europees gewogen rendement, $\eta_{\text{EU}}$	97,2%
<b>Bescherming</b>	
Bescherming tegen Anti-Islanding	Geïntegreerd
Detectie isolatieweerstand	Geïntegreerd
Reststroombewakingseenheid	Geïntegreerd
Beveiliging tegen overstroom bij uitgang	Geïntegreerd
Bescherming tegen kortsluiting bij uitgang	Geïntegreerd
Uitgangsoverspanningsbeveiliging	Geïntegreerd
PV-bescherming tegen omgekeerde polariteit	Geïntegreerd
PV-overspanningsbeveiliging	Geïntegreerd
PV-schakelaar	Geïntegreerd
Batterij-lastscheider	Geïntegreerd
<b>Algemene gegevens</b>	
Afmetingen (B*H*D)	610 * 416 * 212,5 mm
Gewicht	29 kg
Topologie	Transformatorloos
Bedrijfstemperatuurbereik	-25 °C tot 60 °C

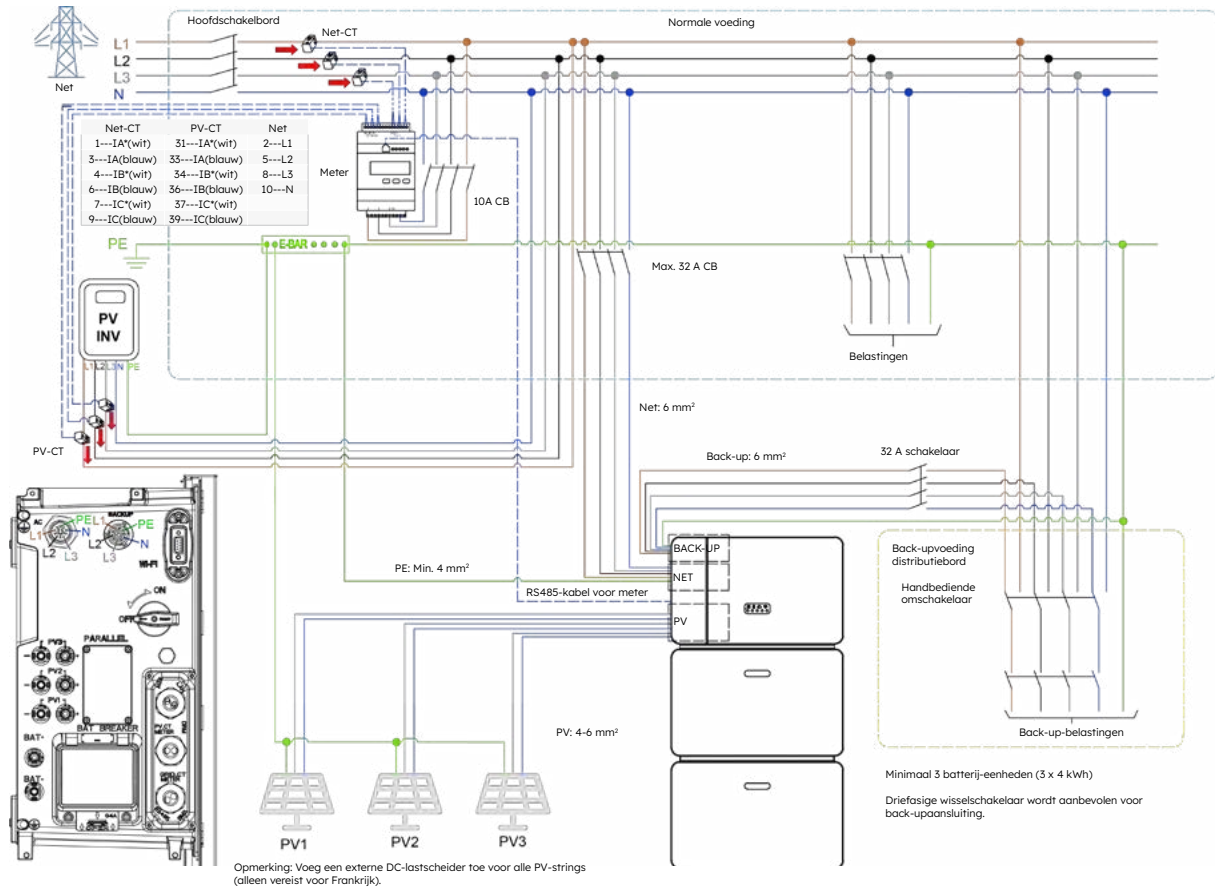
Max. toelaatbare waarde voor relatieve vochtigheid (condenserend)	100%
Bescherming tegen binnendringen	IP65
Display	LED
Geluidsemissie	<30 dB(A) @1m
Koelconcept	Natuurlijke convectie
Max. werkhoogte boven zeeniveau	3000 m
<b>Kenmerken</b>	
PV-aansluiting	MC4-connectoren
Netaansluiting	Insteekconnector
Back-up aansluiting	Insteekconnector
BAT-aansluiting	H4-connectoren Amphenol
Communicatie	LAN, wifi, RS485

## 11.2 Datasheet van batterij

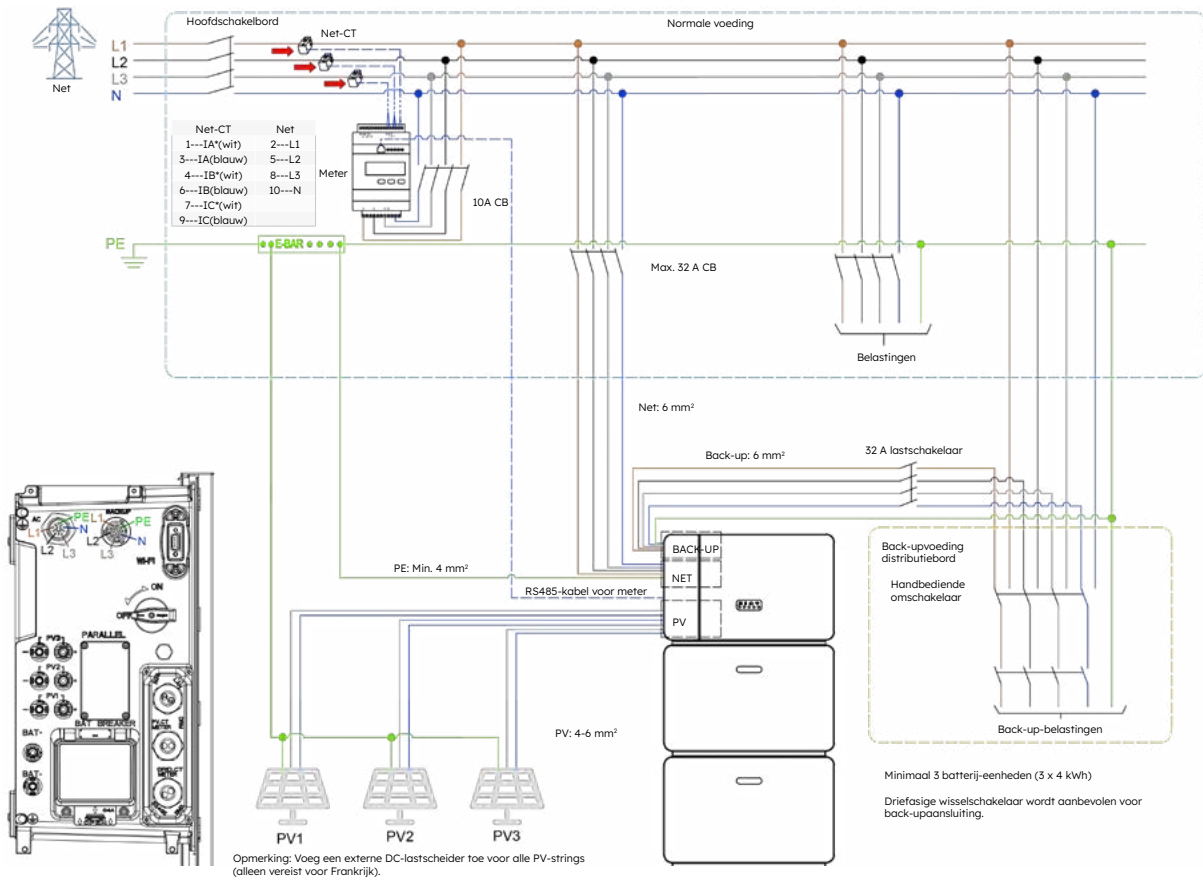
Item	RESERVE-BAT-1-DC-4-INT
<b>Algemene gegevens</b>	
Type batterij	LFP (LiFePO4)
Gewicht	44 kg
Afmeting (B*H*D)	610 * 451 * 212,5 mm
Bescherming tegen binnendringen	IP65
Geïnstalleerde energie	4,0 kWh
Bruikbare energie	3,8 kWh
DoD	95%
Nominale spanning	96 V
Bereik bedrijfsspanning	90 tot 108 V
Max. laadstroom*	42 A
Max. ontladstroom*	42 A
Bedrijfstemperatuur bereik	Laden: 0 °C < T ≤ 50 °C Ontladen: -10 °C < T ≤ 50 °C
Bewakingsparameters	Systeemspanning, stroom, celspanning, celtemperatuur
BMS-communicatie	CAN
<b>Systeem</b>	
Veiligheid	IEC62619/IEC63056/IEC62040
Vervoer	UN38.3

## 12.0 Bijlage 1: Systeembedradingschema

### 12.1 Driefasige Reserve inclusief wisselschakelaar, hybride gekoppeld met driefasige PV-omvormer en energiemeter (EU)



## 12.2 Driefasige Reserve, DC-gekoppeld en energiemeter (EU)





## 13.0 Bijlage 2: Regionale toepassingsnorm

Neem contact op met je lokale netwerkbedrijf en kies de corresponderende Regionale Toepassingsstandaard, de stroomkwaliteitsmodi Volt-VAR en Volt-Watt zullen automatisch worden uitgevoerd. (Alleen voor regio's met veiligheidsvoorschriften AS/NZW 4777.2.)

Land (DNSP)	Veiligheidsnorm	Regio-instelling
Ausgrid, Ausnet, Citipower, Endeavour Energy, Energex, Ergon, Essential Energy, Evoenergy, Jemena, SA Power Networks, PowerCor, United Energy	AS/NZS 4777.2: 2020	Australië A
Western Power	AS/NZS 4777.2: 2020	Australië B
Horizon Power en TasNetworks	AS/NZS 4777.2: 2020	Australië C
Nieuw-Zeeland	AS/NZS 4777.2: 2020	Nieuw-Zeeland
Duitsland	VDE4105/11.18	Duitsland
Italië	CEI 0-21	Italië
Spanje	RD1699/UNE	Spanje
België	C10/C11	België
Nederland	EN50549	Nederland
Frankrijk	EN50549	Frankrijk
Oostenrijk	TOR25	Oostenrijk